

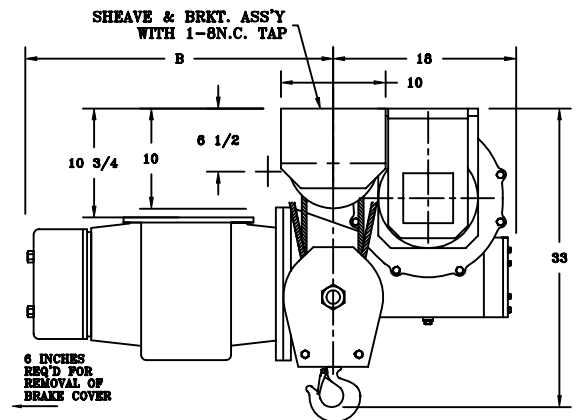
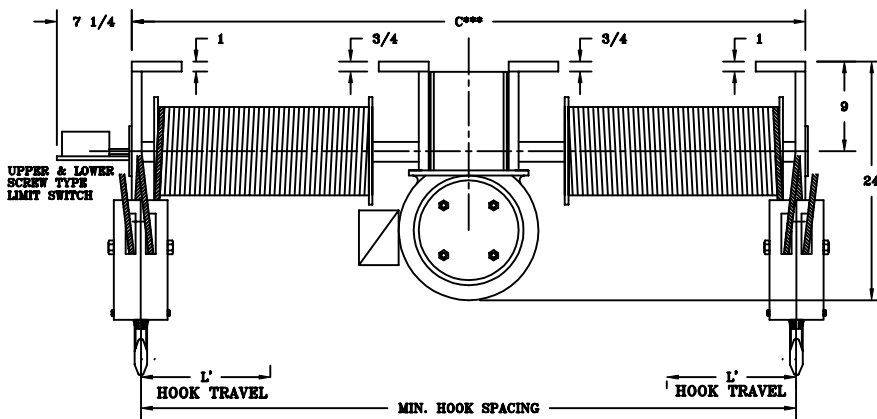
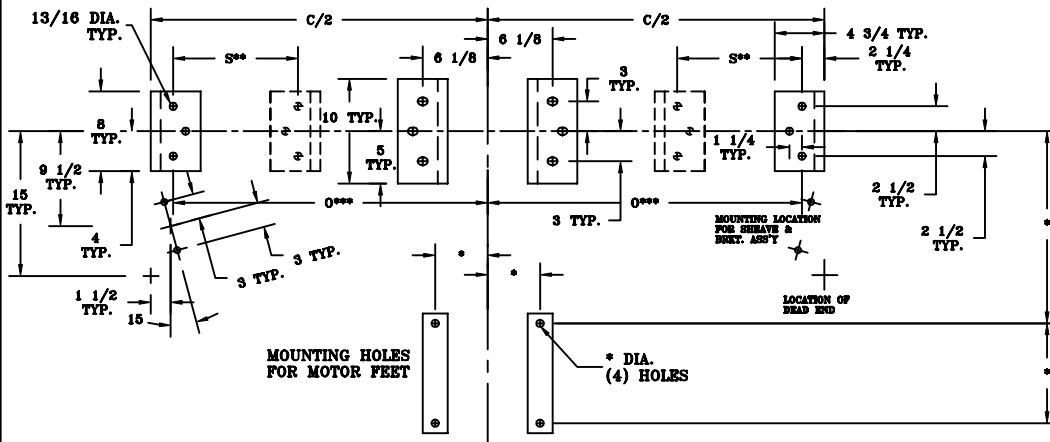
CHESTER HOIST

WORM DRIVE HOIST
DATA SHEET E-48AS

CAPACITY 10-15 TON

STANDARD HEADROOM
CEILING MOUNTED - T

TWIN HOOK MONORAIL
4-PART SINGLE



ALL DIMENSIONS IN INCHES

MODEL NUMBER	CAPACITY (lbs.)****	SPEED (fpm)	LIFT (ft.)	REEVING	MOTOR (hp)	B	*** C	** I	L'	*** □	** S	MIN. HOOK SPACING	MAX. HOOK SPACING	APPROX. WT. (lbs.)
WD-5200S	20000	10	10	4PS-7/16	10 @ 1200	32	41	101	3	18 1/4	13 1/2	38	260	1200
WD-5201S	20000	10	20	4PS-7/16	10 @ 1200	32	58	101	5 1/4	26 3/4	22	55	260	1300
WD-5202S	20000	10	30	4PS-7/16	10 @ 1200	32	76	101	7 1/4	35 3/4	31	73	260	1400
WD-5203S	20000	15	10	4PS-7/16	15 @ 1800	32	41	101	3	18 1/4	13 1/2	38	260	1200
WD-5204S	20000	15	20	4PS-7/16	15 @ 1800	32	58	101	5 1/4	26 3/4	22	55	260	1300
WD-5205S	20000	15	30	4PS-7/16	15 @ 1800	32	76	101	7 1/4	35 3/4	31	73	260	1400
WD-5300S	30000	10	10	4PS-7/16E	15 @ 1200	34	41	101	3	18 1/4	13 1/2	38	260	1200
WD-5301S	30000	10	20	4PS-7/16E	15 @ 1200	34	58	101	5 1/4	26 3/4	22	55	260	1300
WD-5302S	30000	10	30	4PS-7/16E	15 @ 1200	34	76	101	7 1/4	35 3/4	31	73	260	1400

* DIMENSIONS VARY ACCORDING TO MOTOR MANUFACTURER.

** FOR STANDARD APPLICATIONS "S" DIMENSIONS APPLY ONLY WHEN HOOK SPACING IS GREATER THAN THAT SHOWN IN COLUMN "I".

*** "C" & "O" DIMENSIONS AND WEIGHTS BASED ON MIN. HOOK SPACING.

**** CAPACITY BASED ON 4PS REEVING.

NOTE : FOR OTHER HOOK SPACINGS CONSULT FACTORY.