

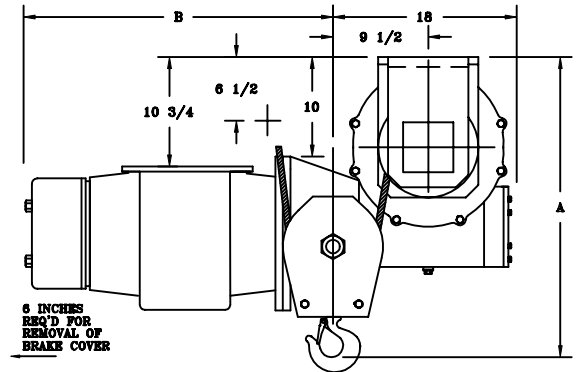
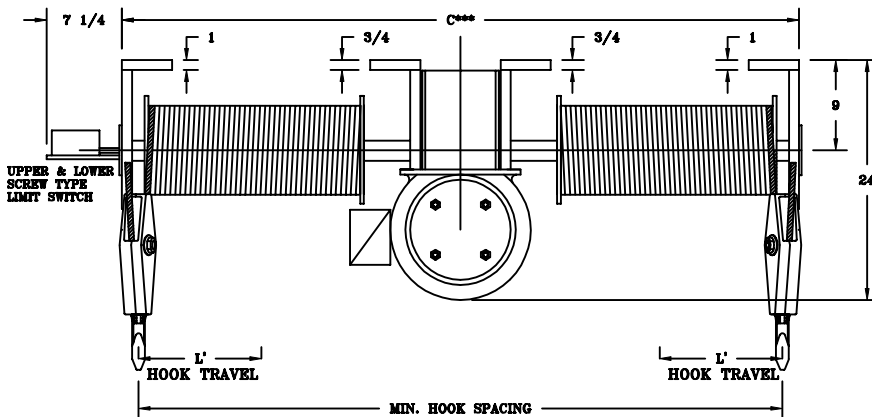
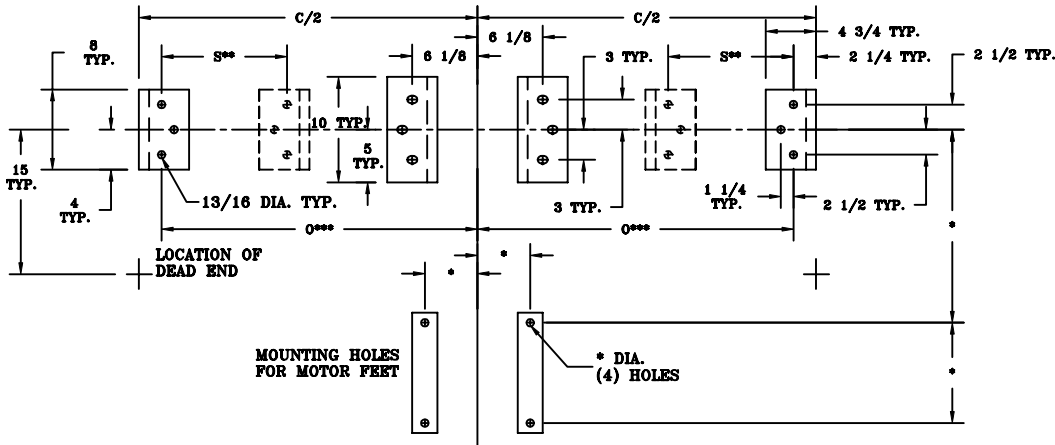
CHESTER HOIST

WORM DRIVE HOIST
DATA SHEET E-47AS

CAPACITY 3-4-5-7 1/2 TON

STANDARD HEADROOM
CEILING MOUNTED - T

TWIN HOOK MONORAIL
2-PART SINGLE



ALL DIMENSIONS IN INCHES

MODEL NUMBER	CAPACITY (lbs.)****	SPEED (fpm)	LIFT (Ft.)	REEVING	MOTOR (hp)	A	B	*** C	** I	L'	*** O	** S	MIN. HOOK SPACING	MAX. HOOK SPACING	APPROX. WT. (lbs.)
WD-563S	6000	32	20	2PS-3/8	10 @ 1800	29	32	41	101	6	18 1/4	13 1/2	38	260	1100
WD-564S	6000	32	40	2PS-3/8	10 @ 1800	29	32	58	101	10 1/2	26 3/4	22	55	260	1200
WD-565S	6000	32	60	2PS-3/8	10 @ 1800	29	32	76	101	14 1/2	35 3/4	31	73	260	1300
WD-583S	8000	21	20	2PS-3/8	10 @ 1200	29	32	41	101	6	18 1/4	13 1/2	38	260	1100
WD-584S	8000	21	40	2PS-3/8	10 @ 1200	29	32	58	101	10 1/2	26 3/4	22	55	260	1200
WD-585S	8000	21	60	2PS-3/8	10 @ 1200	29	32	76	101	14 1/2	35 3/4	31	73	260	1300
WD-5106S	10000	30	20	2PS-7/16	15 @ 1800	29	32	41	101	6	18 1/4	13 1/2	38	260	1100
WD-5107S	10000	30	40	2PS-7/16	15 @ 1800	29	32	58	101	10 1/2	26 3/4	22	55	260	1200
WD-5108S	10000	30	60	2PS-7/16	15 @ 1800	29	32	76	101	14 1/2	35 3/4	31	73	260	1300
WD-5150S	15000	20	20	2PS-7/16E	15 @ 1200	32	34	41	101	6	18 1/4	13 1/2	38	260	1100
WD-5151S	15000	20	40	2PS-7/16E	15 @ 1200	32	34	58	101	10 1/2	26 3/4	22	55	260	1200
WD-5152S	15000	20	60	2PS-7/16E	15 @ 1200	32	34	76	101	14 1/2	35 3/4	31	73	260	1300

* DIMENSIONS VARY ACCORDING TO MOTOR MANUFACTURER.

** FOR STANDARD APPLICATIONS "S" DIMENSIONS APPLY ONLY WHEN HOOK SPACING IS GREATER THAN THAT SHOWN IN COLUMN "I".

*** "C" & "O" DIMENSIONS AND WEIGHTS BASED ON MIN. HOOK SPACING.

**** CAPACITY BASED ON 2PS REEVING.

NOTE : FOR OTHER HOOK SPACINGS CONSULT FACTORY.