

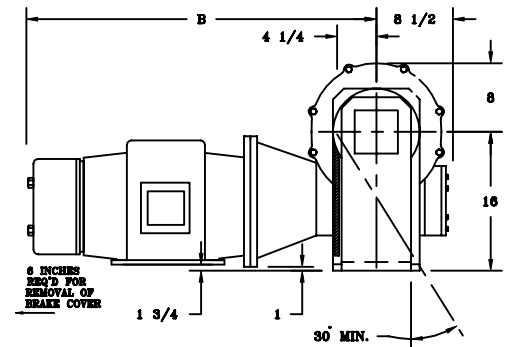
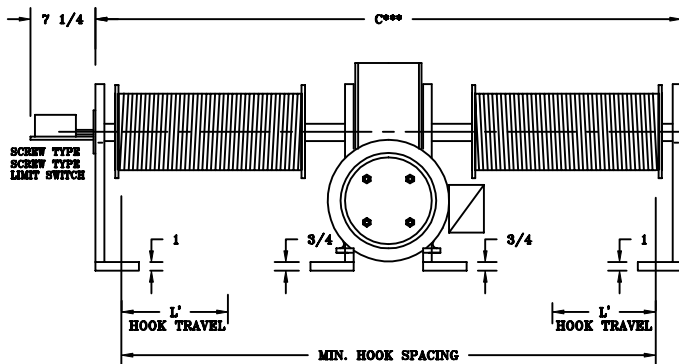
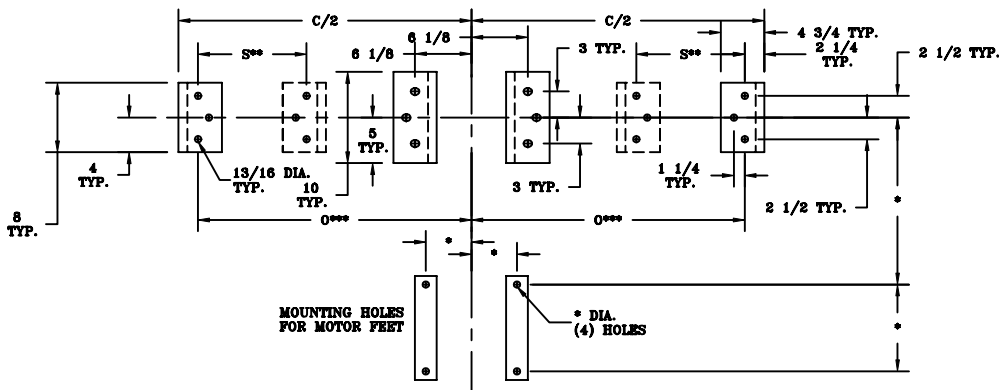
CHESTER HOIST

WORM DRIVE HOIST
DATA SHEET E-50AS

CAPACITY 3-4-5-7 1/2-10-15 TON

TWIN HOOK - T

FLOOR MOUNTED



ALL DIMENSIONS IN INCHES

| MODEL NUMBER | CAPACITY (lbs.)**** | SPEED (fpm) | LIFT (ft.) | REEVING | MOTOR (hp) | B | *** C | L' | ** S | *** O | ** X | MIN. HOOK SPACING | MAX. HOOK SPACING | APPROX. WT. (lbs.) |
|--------------|---------------------|-------------|------------|-----------|------------|--------|--------|--------|--------|----------|------|-------------------|-------------------|--------------------|
| WD-763S | 6000 | 32 | 20 | 2PS-3/8 | 10 @ 1800 | 41 1/2 | 45 1/8 | 6 | 13 1/2 | 20 5/16 | 97 | 38 | 260 | 1100 |
| WD-764S | 6000 | 32 | 40 | 2PS-3/8 | 10 @ 1800 | 41 1/2 | 62 1/8 | 10 1/2 | 22 | 28 13/16 | 97 | 55 | 260 | 1200 |
| WD-765S | 6000 | 32 | 60 | 2PS-3/8 | 10 @ 1800 | 41 1/2 | 80 1/8 | 14 1/2 | 31 | 37 13/16 | 97 | 73 | 260 | 1300 |
| WD-783S | 8000 | 21 | 20 | 2PS-3/8 | 10 @ 1200 | 41 1/2 | 45 1/8 | 6 | 13 1/2 | 20 5/16 | 97 | 38 | 260 | 1100 |
| WD-784S | 8000 | 21 | 40 | 2PS-3/8 | 10 @ 1200 | 41 1/2 | 62 1/8 | 10 1/2 | 22 | 28 13/16 | 97 | 55 | 260 | 1200 |
| WD-785S | 8000 | 21 | 60 | 2PS-3/8 | 10 @ 1200 | 41 1/2 | 80 1/8 | 14 1/2 | 31 | 37 13/16 | 97 | 73 | 260 | 1300 |
| WD-7106S | 10000 | 30 | 20 | 2PS-7/16 | 15 @ 1800 | 41 1/2 | 45 1/8 | 6 | 13 1/2 | 20 5/16 | 97 | 38 | 260 | 1100 |
| WD-7107S | 10000 | 30 | 40 | 2PS-7/16 | 15 @ 1800 | 41 1/2 | 62 1/8 | 10 1/2 | 22 | 28 13/16 | 97 | 55 | 260 | 1200 |
| WD-7108S | 10000 | 30 | 60 | 2PS-7/16 | 15 @ 1800 | 41 1/2 | 80 1/8 | 14 1/2 | 31 | 37 13/16 | 97 | 73 | 260 | 1300 |
| WD-7150S | 15000 | 20 | 20 | 2PS-7/16E | 15 @ 1200 | 45 1/2 | 45 1/8 | 6 | 13 1/2 | 20 5/16 | 97 | 38 | 260 | 1100 |
| WD-7151S | 15000 | 20 | 40 | 2PS-7/16E | 15 @ 1200 | 45 1/2 | 62 1/8 | 10 1/2 | 22 | 28 13/16 | 97 | 55 | 260 | 1200 |
| WD-7152S | 15000 | 20 | 60 | 2PS-7/16E | 15 @ 1200 | 45 1/2 | 80 1/8 | 14 1/2 | 31 | 37 13/16 | 97 | 73 | 260 | 1300 |
| WD-7200S | 20000 | 10 | 10 | 4PS-7/16 | 10 @ 1200 | 45 1/2 | 45 1/8 | 3 | 13 1/2 | 20 5/16 | 97 | 38 | 260 | 1200 |
| WD-7201S | 20000 | 10 | 20 | 4PS-7/16 | 10 @ 1200 | 45 1/2 | 62 1/8 | 5 1/4 | 22 | 28 13/16 | 97 | 55 | 260 | 1300 |
| WD-7202S | 20000 | 10 | 30 | 4PS-7/16 | 10 @ 1200 | 45 1/2 | 80 1/8 | 7 1/4 | 31 | 37 13/16 | 97 | 73 | 260 | 1400 |
| WD-7203S | 20000 | 15 | 10 | 4PS-7/16 | 15 @ 1800 | 45 1/2 | 45 1/8 | 3 | 13 1/2 | 20 5/16 | 97 | 38 | 260 | 1200 |
| WD-7204S | 20000 | 15 | 20 | 4PS-7/16 | 15 @ 1800 | 45 1/2 | 62 1/8 | 5 1/4 | 22 | 28 13/16 | 97 | 55 | 260 | 1300 |
| WD-7205S | 20000 | 15 | 30 | 4PS-7/16 | 15 @ 1800 | 45 1/2 | 80 1/8 | 7 1/4 | 31 | 37 13/16 | 97 | 73 | 260 | 1400 |
| WD-7300S | 30000 | 10 | 10 | 4PS-7/16E | 15 @ 1200 | 45 1/2 | 45 1/8 | 3 | 13 1/2 | 20 5/16 | 97 | 38 | 260 | 1200 |
| WD-7301S | 30000 | 10 | 20 | 4PS-7/16E | 15 @ 1200 | 45 1/2 | 62 1/8 | 5 1/4 | 22 | 28 13/16 | 97 | 55 | 260 | 1300 |
| WD-7302S | 30000 | 10 | 30 | 4PS-7/16E | 15 @ 1200 | 45 1/2 | 80 1/8 | 7 1/4 | 31 | 37 13/16 | 97 | 73 | 260 | 1400 |

* DIMENSIONS VARY ACCORDING TO MOTOR MANUFACTURER.

** FOR STANDARD APPLICATIONS "S" DIMENSIONS APPLY ONLY WHEN HOOK SPACING IS GREATER THAN THAT SHOWN IN COLUMN "X"

*** "C" & "O" DIMENSIONS AND WEIGHTS BASED ON MIN. HOOK SPACING

**** CAPACITY BASED ON REEVING SHOWN.

NOTE : FOR OTHER HOOK SPACINGS CONSULT FACTORY

LOAD BLOCKS AND UPPER SHEAVES (NOT SHOWN) ARE PROVIDED IN CONJUNCTION WITH REEVING.