

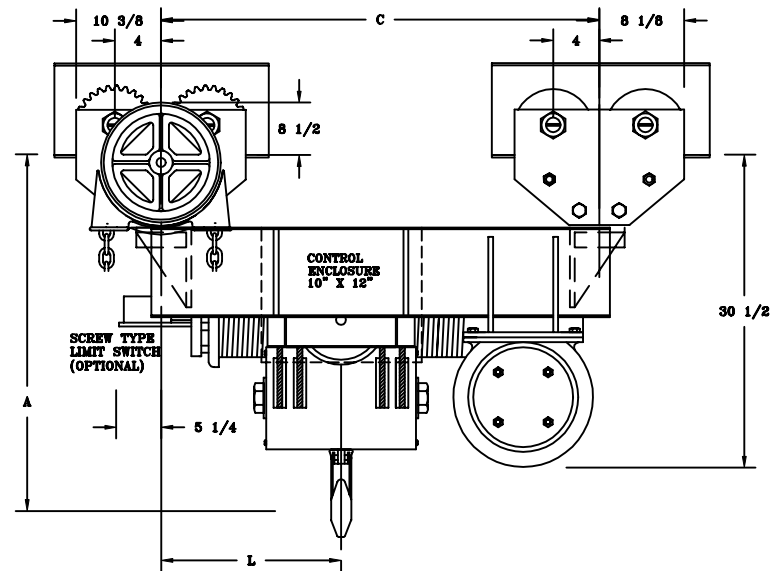
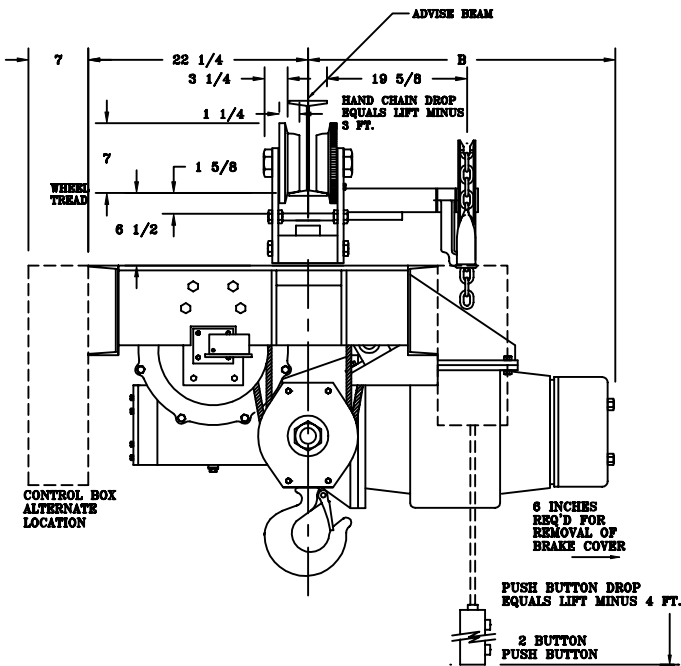
CHESTER HOIST

WORM DRIVE HOIST
DATA SHEET E-58AS

CAPACITY 10-15 TON

STANDARD HEADROOM
HAND GEARED TROLLEY - T

SINGLE HOOK MONORAIL
4-PART DOUBLE



ALL DIMENSIONS IN INCHES

| MODEL NUMBER | CAPACITY (lbs.) | SPEED (fpm) | LIFT (ft.) | REEVING | MOTOR (hp) | A | B | C | L | ST'D. I-BEAM | | MIN. CURVE RADIUS (ft.) | APPROX. WT. (lbs.) |
|--------------|-----------------|-------------|------------|-----------|------------|--------|----|-----|--------|--------------|--------|-------------------------|--------------------|
| | | | | | | | | | | SIZE | CLEAR* | | |
| WDGT-1200S | 20000 | 10 | 15 | 4PD-7/16 | 10 @ 1200 | 37 1/2 | 31 | 59 | 25 3/4 | 8-24 | 5/8 | 7 | 2800 |
| WDGT-1201S | 20000 | 10 | 25 | 4PD-7/16 | 10 @ 1200 | 37 1/2 | 31 | 74 | 33 1/4 | 8-24 | 5/8 | 7 | 3000 |
| WDGT-1202S | 20000 | 10 | 35 | 4PD-7/16 | 10 @ 1200 | 37 1/2 | 31 | 90 | 41 1/4 | 8-24 | 5/8 | 7 | 3200 |
| WDGT-1202AS | 20000 | 10 | 50 | 4PD-7/16 | 10 @ 1200 | 37 1/2 | 31 | 105 | 48 3/4 | 8-24 | 5/8 | 7 | 3400 |
| WDGT-1203S | 20000 | 15 | 15 | 4PD-7/16 | 15 @ 1800 | 37 1/2 | 31 | 59 | 25 3/4 | 8-24 | 5/8 | 7 | 2800 |
| WDGT-1204S | 20000 | 15 | 25 | 4PD-7/16 | 15 @ 1800 | 37 1/2 | 31 | 74 | 33 1/4 | 8-24 | 5/8 | 7 | 3000 |
| WDGT-1205S | 20000 | 15 | 35 | 4PD-7/16 | 15 @ 1800 | 37 1/2 | 31 | 90 | 41 1/4 | 8-24 | 5/8 | 7 | 3200 |
| WDGT-1205AS | 20000 | 15 | 50 | 4PD-7/16 | 15 @ 1800 | 37 1/2 | 31 | 105 | 48 3/8 | 8-24 | 5/8 | 7 | 3400 |
| WDGT-1300S | 30000 | 10 | 15 | 4PD-7/16E | 15 @ 1200 | 38 1/2 | 33 | 59 | 25 3/4 | 8-24 | 5/8 | 7 | 2800 |
| WDGT-1301S | 30000 | 10 | 25 | 4PD-7/16E | 15 @ 1200 | 38 1/2 | 33 | 74 | 33 1/4 | 8-24 | 5/8 | 7 | 3000 |
| WDGT-1302S | 30000 | 10 | 35 | 4PD-7/16E | 15 @ 1200 | 38 1/2 | 33 | 90 | 41 1/4 | 8-24 | 5/8 | 7 | 3200 |

* CLEARANCE BASED ON MAX. "S" BEAM SIZE 24" @ 121 LBS.
TROLLEYS FOR OTHER I-BEAMS AND PATENTED TRACKS ARE AVAILABLE.
NOTE: WHEN USING SCREW TYPE LIMIT SWITCH ADD 1 INCH TO HEADROOM.