

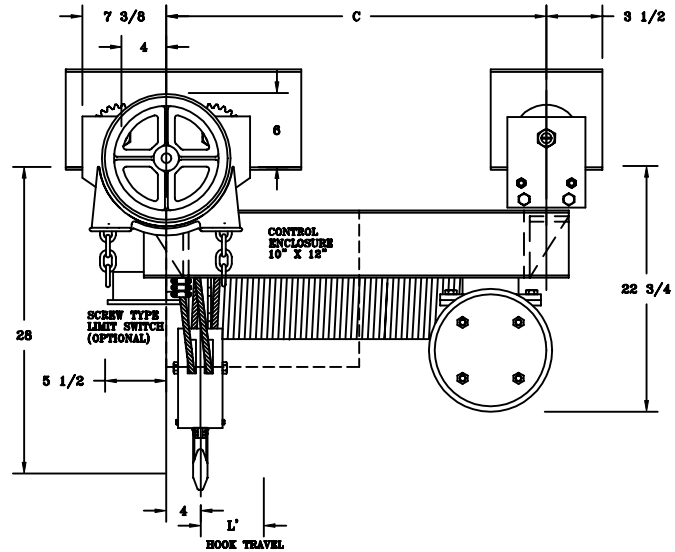
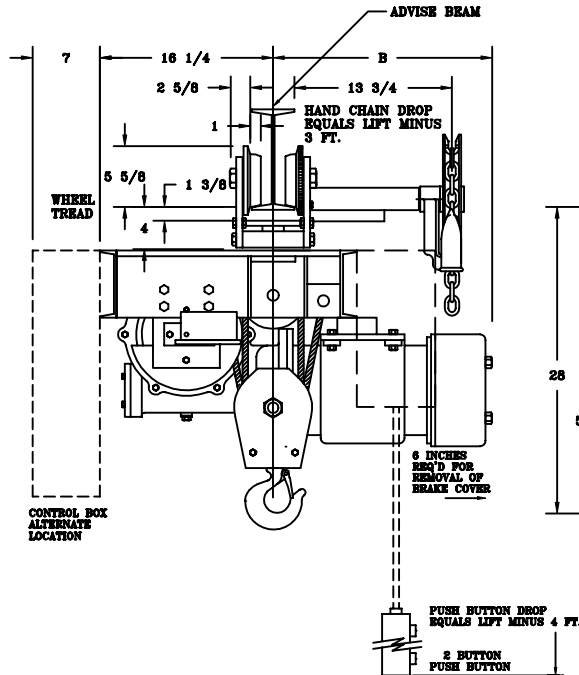
# CHESTER HOIST

WORM DRIVE HOIST  
DATA SHEET E-14AS

## CAPACITY 2-3 TON

STANDARD HEADROOM  
HAND GEARED TROLLEY - R

SINGLE HOOK MONORAIL  
4-PART SINGLE



ALL DIMENSIONS IN INCHES

MODEL NUMBER	CAPACITY (lbs.)	SPEED (fpm)	LIFT (ft.)	REEVING	MOTOR (hp)	B	C	L'	ST'D. I-BEAM		MIN. CURVE RADIUS (ft.)	APPROX. WT. (lbs.)
									SIZE	CLEAR*		
WDGT-146S	4000	15	12	4PS-1/4	3 @ 1800	20 1/2	21 1/2	2 1/4	7-24	7/16	6	760
WDGT-147S	4000	15	22	4PS-1/4	3 @ 1800	20 1/2	26	3 3/4	7-24	7/16	6	810
WDGT-148S	4000	15	32	4PS-1/4	3 @ 1800	20 1/2	34 1/2	5 3/8	7-24	7/16	6	860
WDGT-148AS	4000	15	49	4PS-1/4	3 @ 1800	20 1/2	44 1/2	8	7-24	7/16	6	960
WDGT-148BS	4000	15	72	4PS-1/4	3 @ 1800	20 1/2	58 1/2	11 1/2	7-24	7/16	6	1060
WDGT-148CS	4000	15	93	4PS-1/4	3 @ 1800	20 1/2	71 1/2	15	7-24	7/16	6	1160
WDGT-148DS	4000	15	115	4PS-1/4	3 @ 1800	20 1/2	85 1/2	18 1/2	7-24	7/16	6	1260
WDGT-140S	4000	20	12	4PS-1/4	4 @ 1800	20 1/2	21 1/2	2 1/4	7-24	7/16	6	760
WDGT-141S	4000	20	22	4PS-1/4	4 @ 1800	20 1/2	26	3 3/4	7-24	7/16	6	810
WDGT-142S	4000	20	32	4PS-1/4	4 @ 1800	20 1/2	34 1/2	5 3/8	7-24	7/16	6	860
WDGT-142AS	4000	20	49	4PS-1/4	4 @ 1800	20 1/2	44 1/2	8	7-24	7/16	6	910
WDGT-142BS	4000	20	72	4PS-1/4	4 @ 1800	20 1/2	58 1/2	11 1/2	7-24	7/16	6	1010
WDGT-142CS	4000	20	93	4PS-1/4	4 @ 1800	20 1/2	71 1/2	15	7-24	7/16	6	1110
WDGT-142DS	4000	20	115	4PS-1/4	4 @ 1800	20 1/2	85 1/2	18 1/2	7-24	7/16	6	1210
WDGT-160S	6000	15	9	4PS-5/16	5 @ 1800	20 1/2	21 1/2	2 1/4	7-24	7/16	6	760
WDGT-161S	6000	15	17	4PS-5/16	5 @ 1800	20 1/2	26	3 3/4	7-24	7/16	6	810
WDGT-162S	6000	15	26	4PS-5/16	5 @ 1800	20 1/2	34 1/2	5 3/8	7-24	7/16	6	860
WDGT-162AS	6000	15	39	4PS-5/16	5 @ 1800	20 1/2	44 1/2	8	7-24	7/16	6	910
WDGT-162BS	6000	15	57	4PS-5/16	5 @ 1800	20 1/2	58 1/2	11 1/2	7-24	7/16	6	1010
WDGT-162CS	6000	15	74	4PS-5/16	5 @ 1800	20 1/2	71 1/2	15	7-24	7/16	6	1110
WDGT-163S	6000	20	9	4PS-5/16	6 @ 1800	23 1/2	21 1/2	2 1/4	7-24	7/16	6	800
WDGT-164S	6000	20	17	4PS-5/16	6 @ 1800	23 1/2	26	3 3/4	7-24	7/16	6	850
WDGT-165S	6000	20	26	4PS-5/16	6 @ 1800	23 1/2	34 1/2	5 3/8	7-24	7/16	6	900
WDGT-165AS	6000	20	39	4PS-5/16	6 @ 1800	23 1/2	44 1/2	8	7-24	7/16	6	1035
WDGT-165BS	6000	20	57	4PS-5/16	6 @ 1800	23 1/2	58 1/2	11 1/2	7-24	7/16	6	1135
WDGT-165CS	6000	20	74	4PS-5/16	6 @ 1800	23 1/2	71 1/2	15	7-24	7/16	6	1235

\* CLEARANCE BASED ON MAX. "S" BEAM SIZE 24" @ 121 LBS.  
TROLLEYS FOR OTHER I-BEAMS AND PATENTED TRACKS ARE AVAILABLE.  
NOTE: WHEN USING SCREW TYPE LIMIT SWITCH ADD 1 INCH TO HEADROOM.