

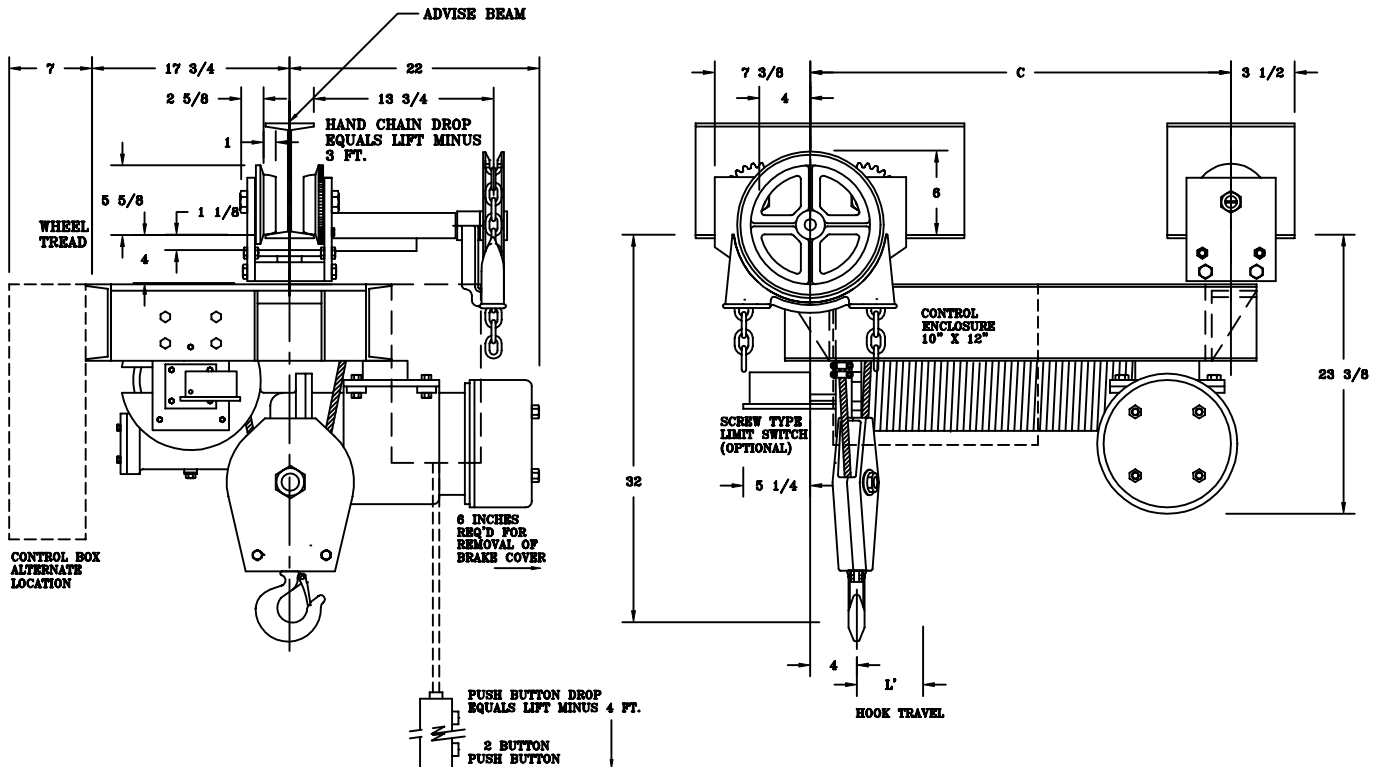
CHESTER HOIST

WORM DRIVE HOIST
DATA SHEET E-93AS

CAPACITY 2-3 TON

STANDARD HEADROOM
HAND GEARED TROLLEY - S

SINGLE HOOK MONORAIL
2-PART SINGLE



ALL DIMENSIONS IN INCHES

MODEL NUMBER	CAPACITY (lbs.)	SPEED (fpm)	LIFT (ft.)	REEVING	MOTOR (hp)	C	L'	ST'D. I-BEAM		MIN. CURVE RADIUS (ft.)	APPROX. WT. (lbs.)
								SIZE	CLEAR*		
WDGT-143S	4000	30	20	2PS-3/8	6 @ 1800	26 1/8	5 3/4	7-24	7/16	6	890
WDGT-144S	4000	30	40	2PS-3/8	6 @ 1800	34 7/8	10 1/8	7-24	7/16	6	940
WDGT-145S	4000	30	60	2PS-3/8	6 @ 1800	43 5/8	14 1/2	7-24	7/16	6	990
WDGT-145AS	4000	30	75	2PS-3/8	6 @ 1800	43 5/8	14 1/2	7-24	7/16	6	1010
WDGT-145BS	4000	30	90	2PS-5/16E	6 @ 1800	43 5/8	14 1/2	7-24	7/16	6	1015
WDGT-145CS	4000	30	120	2PS-5/16E	6 @ 1800	53 5/8	19 1/2	7-24	7/16	6	1050
WDGT-166S	6000	20	20	2PS-7/16	6 @ 1200	26 1/8	5 3/4	7-24	7/16	6	890
WDGT-167S	6000	20	40	2PS-7/16	6 @ 1200	34 7/8	10 1/8	7-24	7/16	6	940
WDGT-168S	6000	20	60	2PS-7/16	6 @ 1200	43 5/8	14 1/2	7-24	7/16	6	990
WDGT-168AS	6000	20	80	2PS-7/16	6 @ 1200	53 5/8	19 1/2	7-24	7/16	6	1050

* CLEARANCE BASED ON MAX. "S" BEAM SIZE 24" @ 121 LBS.
TROLLEYS FOR OTHER I-BEAMS AND PATENTED TRACKS ARE AVAILABLE.
NOTE: WHEN USING SCREW TYPE LIMIT SWITCH ADD 1 INCH TO HEADROOM.