

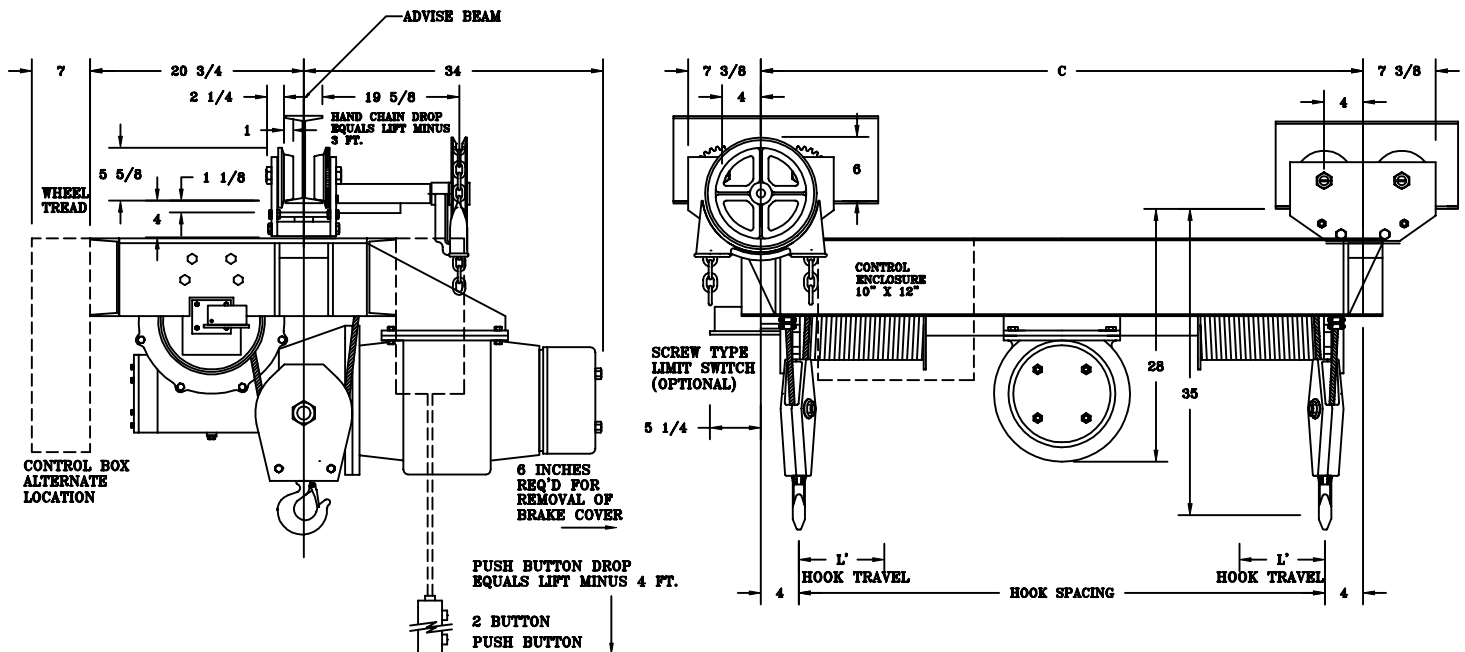
# CHESTER HOIST

WORM DRIVE HOIST  
DATA SHEET E-205AS

## CAPACITY 7 1/2 TON

STANDARD HEADROOM  
HAND GEARED TROLLEY-T

TWIN HOOK MONORAIL  
2-PART SINGLE



ALL DIMENSIONS IN INCHES

MODEL NUMBER	CAPACITY (lbs.)	SPEED (fpm)	LIFT (ft.)	REEVING	MOTOR (hp)	C	L'	MAX. HOOK SPACING	MIN. HOOK SPACING	ST'D. I-BEAM		APPROX. WT. (lbs.)
										SIZE	CLEAR*	
WDGT-3150S	15000	20	20	2PS-7/16E	15 @ 1200	50	6	144	42	7-24	7/16	1900
WDGT-3151S	15000	20	40	2PS-7/16E	15 @ 1200	67	10 1/2	144	59	7-24	7/16	2050
WDGT-3152S	15000	20	60	2PS-7/16E	15 @ 1200	85	14 1/2	144	77	7-24	7/16	2200

\* CLEARANCE BASED ON MAX. "S" BEAM SIZE 24" @ 121 LBS.  
TROLLEYS FOR OTHER I-BEAMS AND PATENTED TRACKS ARE AVAILABLE.  
"C" DIMENSION AND WEIGHTS BASED ON MIN. HOOK SPACING  
NOTE: WHEN USING SCREW TYPE LIMIT SWITCH ADD 1 INCH TO HEADROOM.