

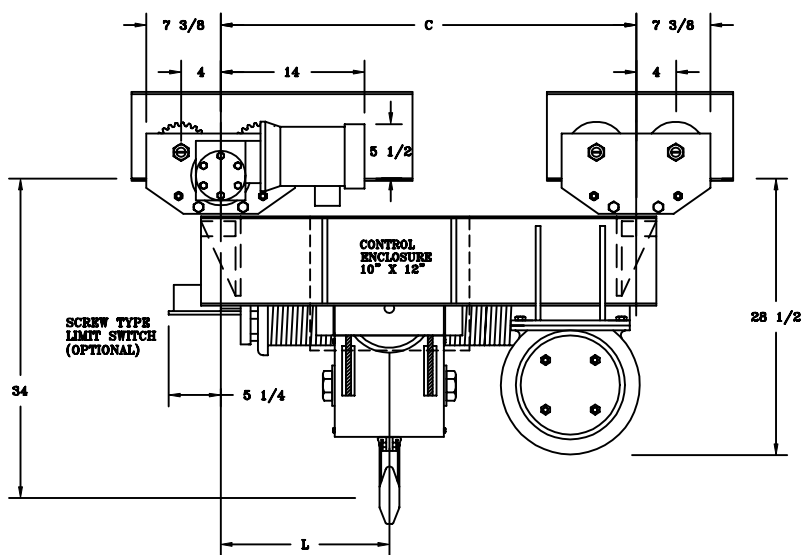
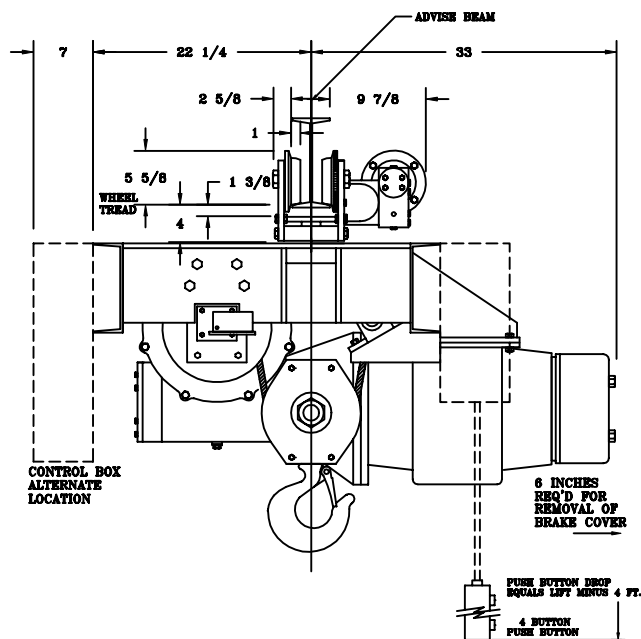
# CHESTER HOIST

WORM DRIVE HOIST  
DATA SHEET E-99AS

## CAPACITY 7 1/2 TON

STANDARD HEADROOM  
MOTORIZED TROLLEY - T

SINGLE HOOK MONORAIL  
2-PART DOUBLE



ALL DIMENSIONS IN INCHES

MODEL NUMBER	CAPACITY (lbs.)	SPEED (fpm)	LIFT (ft.)	REEVING	MOTOR (hp)	C	L	ST'D. I-BEAM		MIN. CURVE RADIUS (ft.)	APPROX. WT. (lbs.)
								SIZE	CLEAR*		
WDMT-1150S	15000	20	15	2PD-7/16E	15 @ 1200	42 1/2	17 1/2	7-24	7/16	6	2200
WDMT-1151S	15000	20	25	2PD-7/16E	15 @ 1200	51 1/2	22	7-24	7/16	6	2300
WDMT-1152S	15000	20	35	2PD-7/16E	15 @ 1200	57 1/2	25	7-24	7/16	6	2400
WDMT-1152AS	15000	20	55	2PD-7/16E	15 @ 1200	72 1/2	32 1/2	7-24	7/16	6	2600

\* CLEARANCE BASED ON MAX. "S" BEAM SIZE 24" @ 121 LBS.  
TROLLEYS FOR OTHER I-BEAMS AND PATENTED TRACKS ARE AVAILABLE.  
NOTE: WHEN USING SCREW TYPE LIMIT SWITCH ADD 1 INCH TO HEADROOM.