

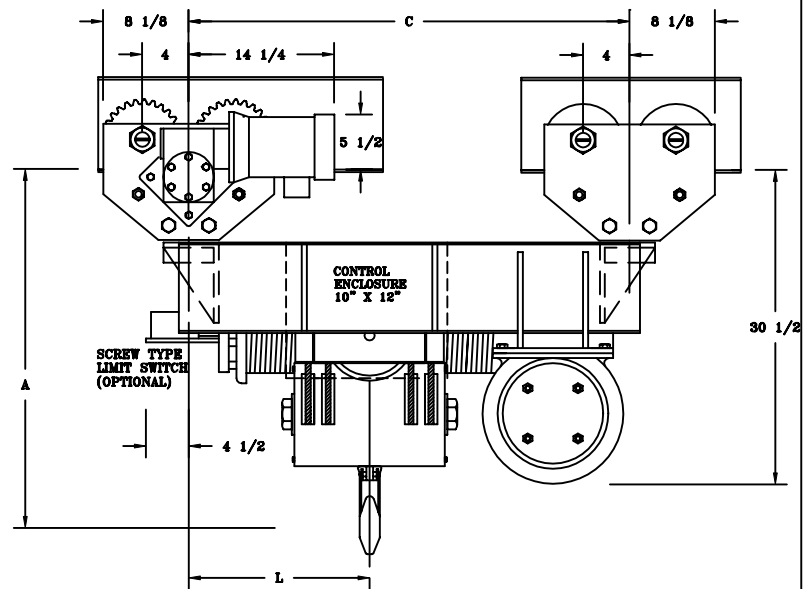
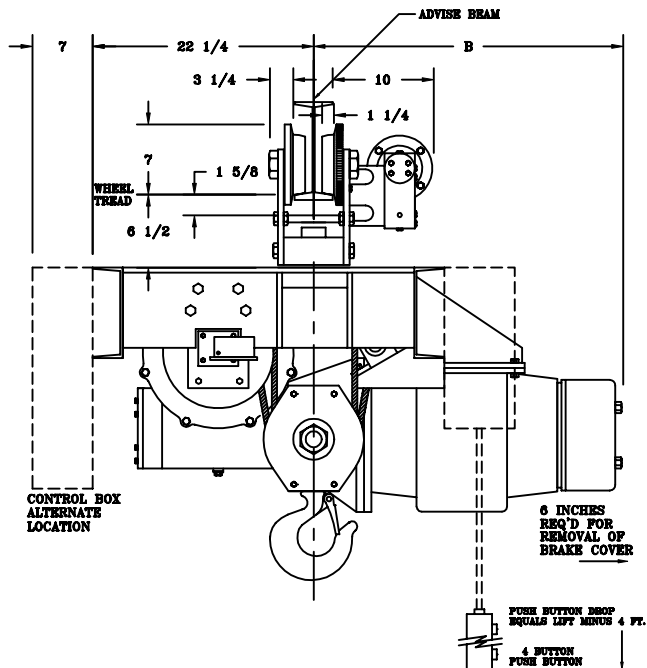
# CHESTER HOIST

WORM DRIVE HOIST  
DATA SHEET E-23AS

## CAPACITY 10-15 TON

STANDARD HEADROOM  
MOTORIZED TROLLEY - T

SINGLE HOOK MONORAIL  
4-PART DOUBLE



ALL DIMENSIONS IN INCHES

MODEL NUMBER	CAPACITY (lbs.)	SPEED (fpm)	LIFT (ft.)	REEVING	MOTOR (hp)	A	B	C	L	ST'D. I-BEAM		MIN. CURVE RADIUS (ft.)	APPROX. WT. (lbs.)
										SIZE	CLEAR*		
WDMT-1200S	20000	10	15	4PD-7/16	10 @ 1200	37 1/2	31	59	25 3/4	8-24	5/8	7	2900
WDMT-1201S	20000	10	25	4PD-7/16	10 @ 1200	37 1/2	31	74	33 1/4	8-24	5/8	7	3100
WDMT-1202S	20000	10	35	4PD-7/16	10 @ 1200	37 1/2	31	90	41 1/4	8-24	5/8	7	3300
WDMT-1202AS	20000	10	50	4PD-7/16	10 @ 1200	37 1/2	31	105	48 3/4	8-24	5/8	7	3500
WDMT-1203S	20000	15	15	4PD-7/16	15 @ 1800	37 1/2	31	59	25 3/4	8-24	5/8	7	2900
WDMT-1204S	20000	15	25	4PD-7/16	15 @ 1800	37 1/2	31	74	33 1/4	8-24	5/8	7	3100
WDMT-1205S	20000	15	35	4PD-7/16	15 @ 1800	37 1/2	31	90	41 1/4	8-24	5/8	7	3300
WDMT-1205AS	20000	15	50	4PD-7/16	15 @ 1800	37 1/2	31	105	48 3/8	8-24	5/8	7	3500
WDMT-1300S	30000	10	15	4PD-7/16E	15 @ 1200	38 1/2	33	59	25 3/4	8-24	5/8	7	2900
WDMT-1301S	30000	10	25	4PD-7/16E	15 @ 1200	38 1/2	33	74	33 1/4	8-24	5/8	7	3100
WDMT-1302S	30000	10	35	4PD-7/16E	15 @ 1200	38 1/2	33	90	41 1/4	8-24	5/8	7	3300

\* CLEARANCE BASED ON MAX. "S" BEAM SIZE 24" @ 121 LBS.  
TROLLEYS FOR OTHER I-BEAMS AND PATENTED TRACKS ARE AVAILABLE.  
NOTE: WHEN USING SCREW TYPE LIMIT SWITCH ADD 1 INCH TO HEADROOM.