

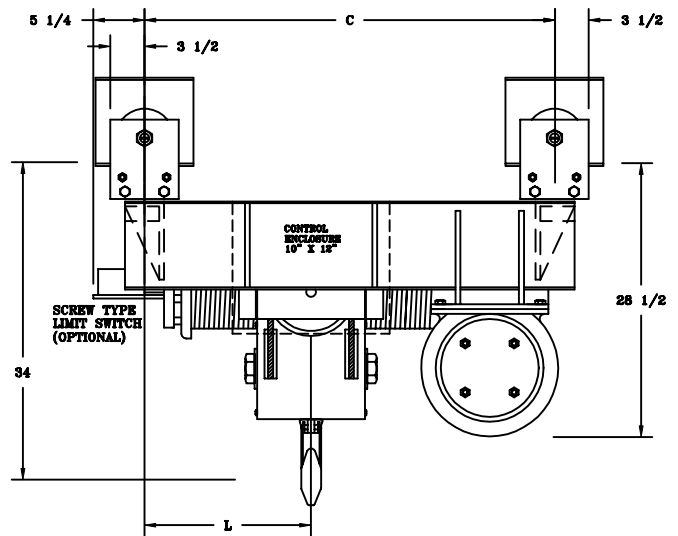
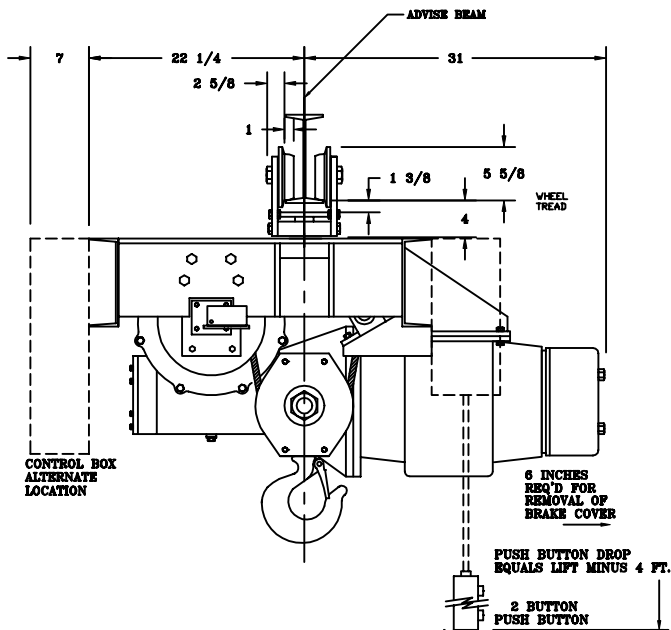
CHESTER HOIST

WORM DRIVE HOIST
DATA SHEET E-11AS

CAPACITY 5 TON

STANDARD HEADROOM
PLAIN TROLLEY TYPE - T

SINGLE HOOK MONORAIL
2-PART DOUBLE



ALL DIMENSIONS IN INCHES

| MODEL NUMBER | CAPACITY (lbs.) | SPEED (fpm) | LIFT (ft.) | REEVING | MOTOR (hp) | C | L | ST'D. I-BEAM | | MIN. CURVE RADIUS (ft.) | APPROX. WT. (lbs.) |
|--------------|-----------------|-------------|------------|----------|------------|--------|--------|--------------|--------|-------------------------|--------------------|
| | | | | | | | | SIZE | CLEAR* | | |
| WDT-1106S | 10000 | 20 | 15 | 2PD-7/16 | 10 @ 1200 | 42 1/2 | 17 1/2 | 7-24 | 7/16 | 6 | 2200 |
| WDT-1107S | 10000 | 20 | 25 | 2PD-7/16 | 10 @ 1200 | 51 1/2 | 22 | 7-24 | 7/16 | 6 | 2300 |
| WDT-1108S | 10000 | 20 | 35 | 2PD-7/16 | 10 @ 1200 | 57 1/2 | 25 | 7-24 | 7/16 | 6 | 2400 |
| WDT-1108AS | 10000 | 20 | 55 | 2PD-7/16 | 10 @ 1200 | 72 1/2 | 32 1/2 | 7-24 | 7/16 | 6 | 2600 |
| WDT-1108BS | 10000 | 20 | 65 | 2PD-3/8E | 10 @ 1200 | 72 1/2 | 32 1/2 | 7-24 | 7/16 | 6 | 2600 |
| WDT-1108CS | 10000 | 20 | 95 | 2PD-3/8E | 10 @ 1200 | 93 1/2 | 42 1/2 | 7-24 | 7/16 | 6 | 2850 |
| WDT-1109S | 10000 | 30 | 15 | 2PD-7/16 | 15 @ 1800 | 42 1/2 | 17 1/2 | 7-24 | 7/16 | 6 | 2200 |
| WDT-1110S | 10000 | 30 | 25 | 2PD-7/16 | 15 @ 1800 | 51 1/2 | 22 | 7-24 | 7/16 | 6 | 2300 |
| WDT-1111S | 10000 | 30 | 35 | 2PD-7/16 | 15 @ 1800 | 57 1/2 | 25 | 7-24 | 7/16 | 6 | 2400 |
| WDT-1111AS | 10000 | 30 | 55 | 2PD-7/16 | 15 @ 1800 | 72 1/2 | 32 1/2 | 7-24 | 7/16 | 6 | 2600 |
| WDT-1111BS | 10000 | 30 | 65 | 2PD-3/8E | 15 @ 1800 | 72 1/2 | 32 1/2 | 7-24 | 7/16 | 6 | 2600 |
| WDT-1111CS | 10000 | 30 | 95 | 2PD-3/8E | 15 @ 1800 | 93 1/2 | 42 1/2 | 7-24 | 7/16 | 6 | 2850 |

* CLEARANCE BASED ON MAX. "S" BEAM SIZE 24" @ 121 LBS.
TROLLEYS FOR OTHER I-BEAMS AND PATENTED TRACKS ARE AVAILABLE.
NOTE: WHEN USING SCREW TYPE LIMIT SWITCH ADD 1 INCH TO HEADROOM.