

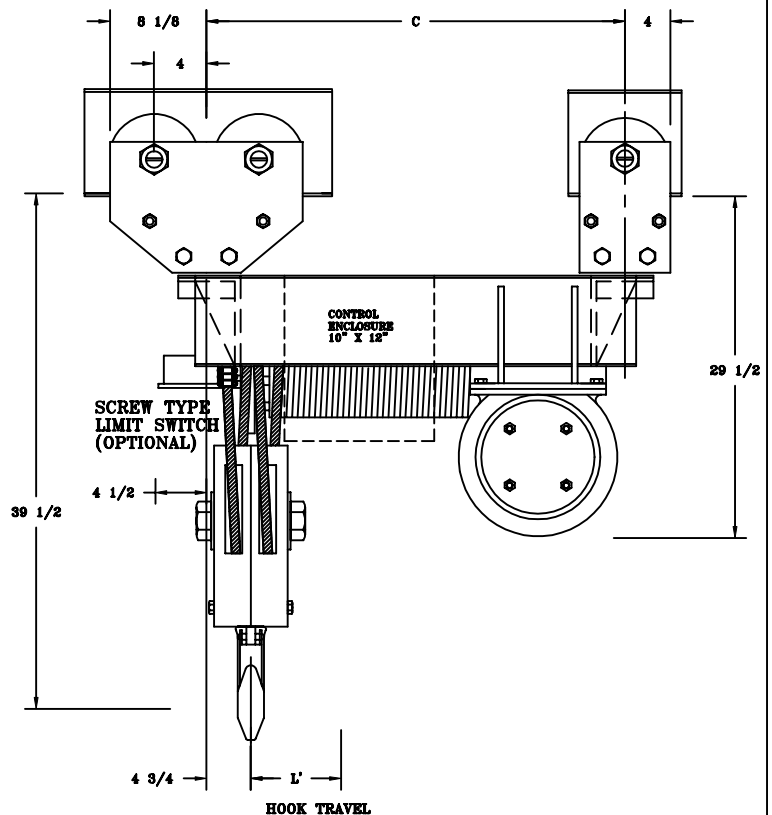
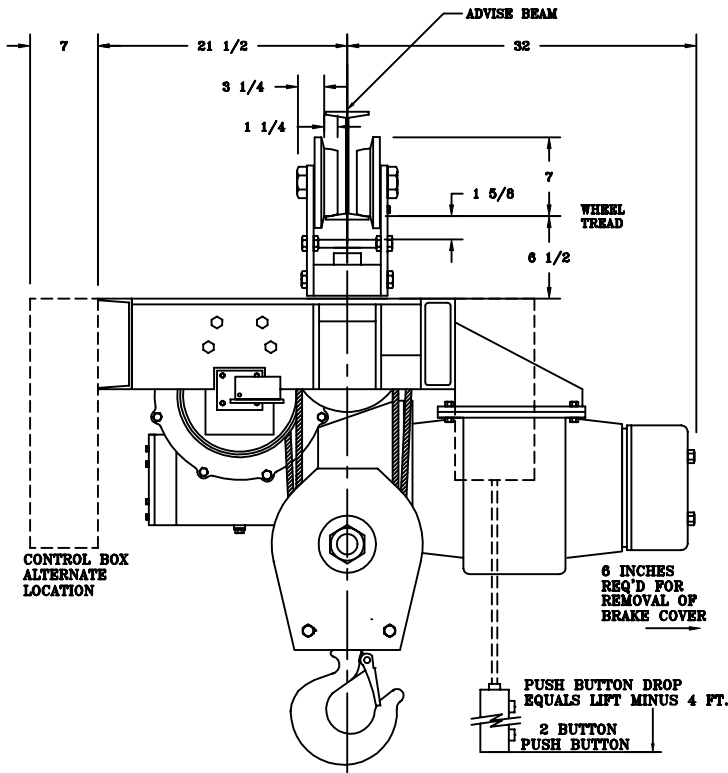
CHESTER HOIST

WORM DRIVE HOIST
DATA SHEET E-69AS

CAPACITY 10 TON

STANDARD HEADROOM
PLAIN TROLLEY - T

SINGLE HOOK MONORAIL
4-PART SINGLE



ALL DIMENSIONS IN INCHES

MODEL NUMBER	CAPACITY (lbs.)	SPEED (fpm)	LIFT (ft.)	REEVING	MOTOR (hp)	C	L'	ST'D. I-BEAM		MIN. CURVE RADIUS (ft.)	APPROX. WT. (lbs.)
								SIZE	CLEAR*		
WDT-1206S	20000	16	25	4PS-1/2E	15 @ 1800	46	6 3/4	8-24	5/8	7	2330
WDT-1207S	20000	16	37	4PS-1/2E	15 @ 1800	59	10	8-24	5/8	7	2450
WDT-1208S	20000	16	50	4PS-1/2E	15 @ 1800	71	13	8-24	5/8	7	2600
WDT-1209S	20000	16	62	4PS-1/2E	15 @ 1800	83	16	8-24	5/8	7	2790
WDT-1210S	20000	16	75	4PS-1/2E	15 @ 1800	95	19	8-24	5/8	7	2960

* CLEARANCE BASED ON MAX. "S" BEAM SIZE 24" @ 121 LBS.
TROLLEYS FOR OTHER I-BEAMS AND PATENTED TRACKS ARE AVAILABLE.
NOTE: WHEN USING SCREW TYPE LIMIT SWITCH ADD 1 INCH TO HEADROOM.