

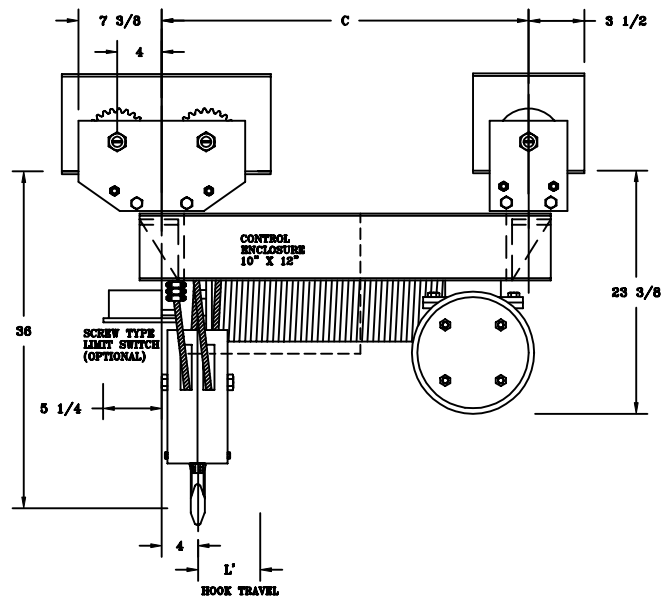
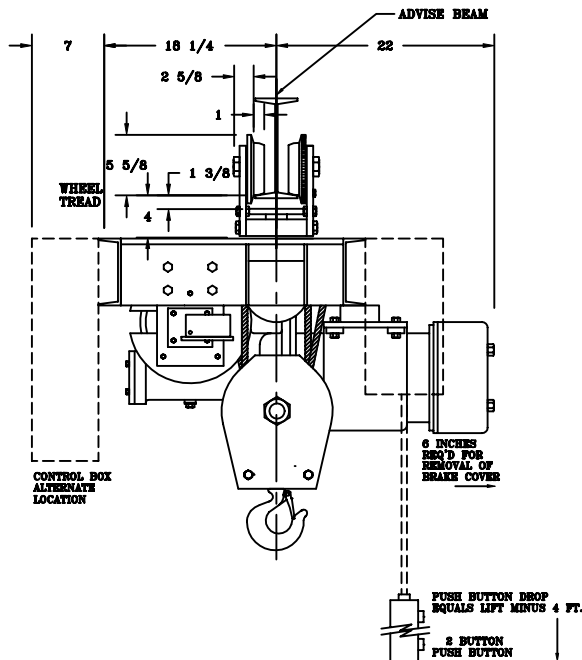
CHESTER HOIST

WORM DRIVE HOIST
DATA SHEET E-9AS

CAPACITY 4-5 TON

STANDARD HEADROOM
PLAIN TROLLEY - S

SINGLE HOOK MONORAIL
4-PART SINGLE



ALL DIMENSIONS IN INCHES

MODEL NUMBER	CAPACITY (lbs.)	SPEED (fpm)	LIFT (ft.)	REEVING	MOTOR (hp)	C	L'	ST'D. I-BEAM		MIN. CURVE RADIUS (ft.)	APPROX. WT. (lbs.)
								SIZE	CLEAR*		
WDT-180S	8000	15	10	4PS-3/8	6 ● 1800	26 1/8	3	7-24	7/16	6	1100
WDT-181S	8000	15	20	4PS-3/8	6 ● 1800	34 7/8	5 1/4	7-24	7/16	6	1500
WDT-182S	8000	15	30	4PS-3/8	6 ● 1800	43 5/8	7 1/4	7-24	7/16	6	1200
WDT-182AS	8000	15	38	4PS-3/8	6 ● 1800	43 5/8	7 1/4	7-24	7/16	6	1200
WDT-182BS	8000	15	50	4PS-3/8	6 ● 1800	53 5/8	9 1/2	7-24	7/16	6	1250
WDT-182CS	8000	15	75	4PS-3/8	6 ● 1800	70 5/8	15 1/2	7-24	7/16	6	1350
WDT-182DS	8000	15	100	4PS-3/8	6 ● 1800	89 1/8	18 1/2	7-24	7/16	6	1500
WDT-183S	8000	20	10	4PS-3/8	7 1/2 ● 1800	26 1/8	3	7-24	7/16	6	1100
WDT-184S	8000	20	20	4PS-3/8	7 1/2 ● 1800	34 7/8	5 1/4	7-24	7/16	6	1150
WDT-185S	8000	20	30	4PS-3/8	7 1/2 ● 1800	43 5/8	7 1/4	7-24	7/16	6	1200
WDT-185AS	8000	20	38	4PS-3/8	7 1/2 ● 1800	43 5/8	7 1/4	7-24	7/16	6	1200
WDT-185BS	8000	20	50	4PS-3/8	7 1/2 ● 1800	53 5/8	9 1/2	7-24	7/16	6	1250
WDT-185CS	8000	20	75	4PS-3/8	7 1/2 ● 1800	70 5/8	15 1/2	7-24	7/16	6	1350
WDT-185DS	8000	20	100	4PS-3/8	7 1/2 ● 1800	89 1/8	18 1/2	7-24	7/16	6	1500
WDT-1100S	10000	10	10	4PS-7/16	5 ● 1200	26 1/8	3	7-24	7/16	6	1100
WDT-1101S	10000	10	20	4PS-7/16	5 ● 1200	34 7/8	5 1/4	7-24	7/16	6	1150
WDT-1102S	10000	10	30	4PS-7/16	5 ● 1200	43 5/8	7 1/4	7-24	7/16	6	1200
WDT-1102AS	10000	10	38	4PS-3/8E	5 ● 1200	43 5/8	7 1/4	7-24	7/16	6	1200
WDT-1102BS	10000	10	50	4PS-3/8E	5 ● 1200	53 5/8	9 1/2	7-24	7/16	6	1250
WDT-1102CS	10000	10	75	4PS-3/8E	5 ● 1200	70 1/8	15 1/2	7-24	7/16	6	1350
WDT-1103S	10000	15	10	4PS-7/16	7 1/2 ● 1800	26 1/8	3	7-24	7/16	6	1100
WDT-1104S	10000	15	20	4PS-7/16	7 1/2 ● 1800	34 7/8	5 1/4	7-24	7/16	6	1150
WDT-1105S	10000	15	30	4PS-7/16	7 1/2 ● 1800	43 5/8	7 1/4	7-24	7/16	6	1200
WDT-1105AS	10000	15	38	4PS-3/8E	7 1/2 ● 1800	43 5/8	7 1/4	7-24	7/16	6	1200
WDT-1105BS	10000	15	50	4PS-3/8E	7 1/2 ● 1800	53 5/8	9 1/2	7-24	7/16	6	1250
WDT-1105CS	10000	15	75	4PS-3/8E	7 1/2 ● 1800	70 1/8	15 1/2	7-24	7/16	6	1350

* CLEARANCE BASED ON MAX. "S" BEAM SIZE 24" @ 121 LBS.
TROLLEYS FOR OTHER I-BEAMS AND PATENTED TRACKS ARE AVAILABLE.
NOTE: WHEN USING SCREW TYPE LIMIT SWITCH ADD 1 INCH TO HEADROOM.