

CEILING MOUNTED WORK AREA MONORAILS

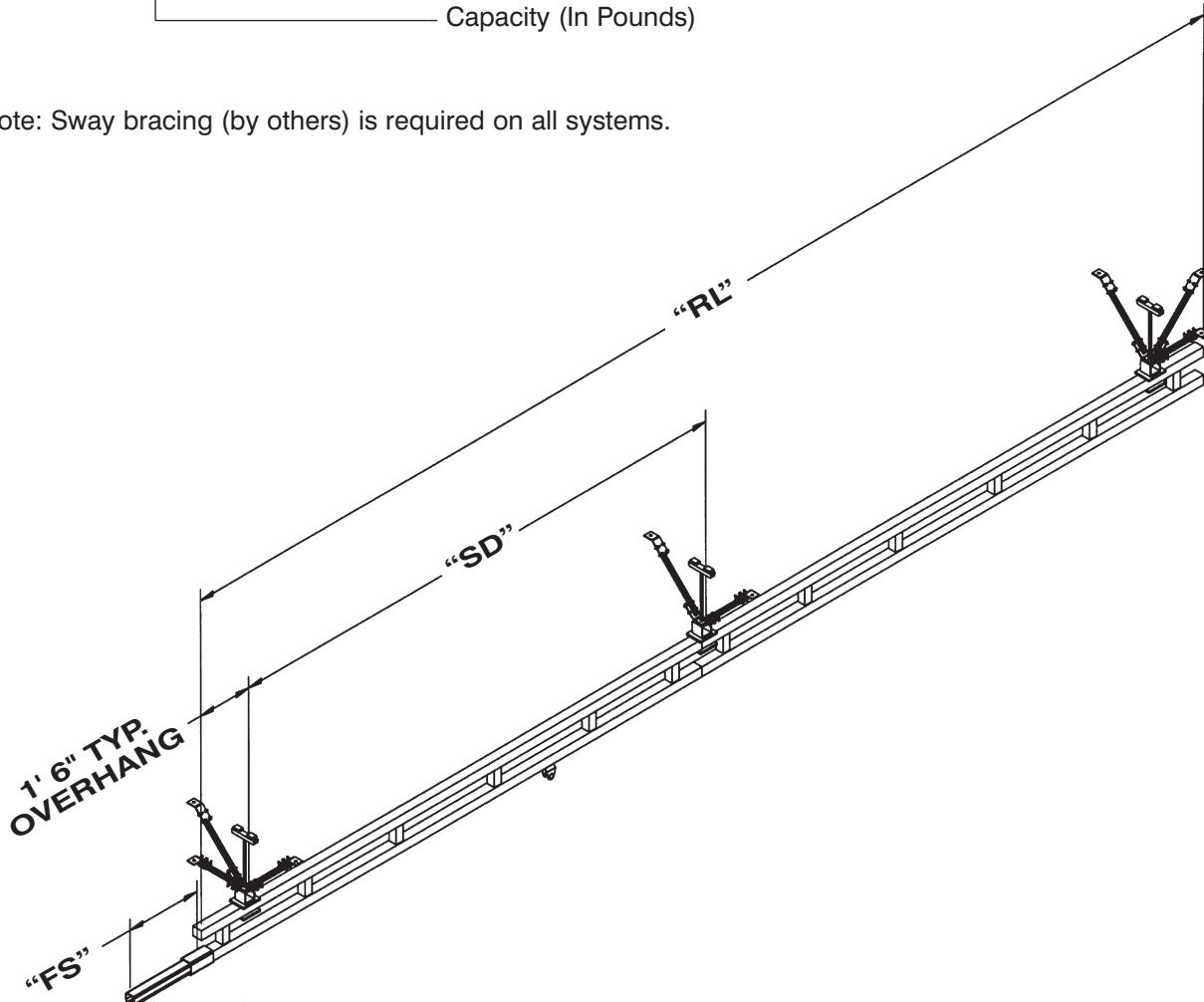
20', 25' & 30' SUPPORT CENTERS

- * Ceiling Mounted Work Area Monorail Systems:
- * Steel: Maximum hanger centers Trussed Track (SD) = 20'-0, 25'-0, or 30'-0
Support Distance (SD) is maximum. On multiple bay systems, bay spacing will be divided equally unless otherwise specified.
- * Systems include:

> Hoist Trolley	> Hanger Assemblies	> Festoon Clamps
> Monorail	> Festoon Trolleys	> Festoon Stack-up Section
> Splice Assemblies	> 4-Cond #14 Flat Cable or 1/2" Air Hose	
- * Sway Bracing is required on all Ceiling Mounted **LodeRail** systems for lateral stability. Systems meet all Seismic Zone 4 requirements.
- * Part Number Explanation: _____



Note: Sway bracing (by others) is required on all systems.

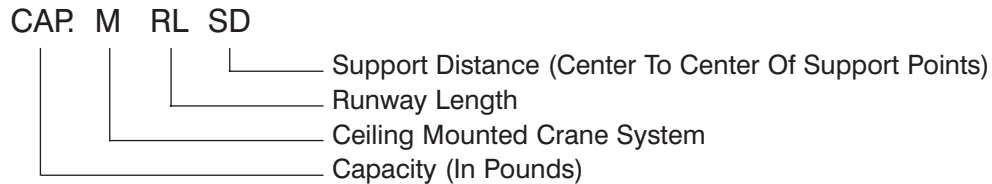


CEILING MOUNTED WORK AREA MONORAILS

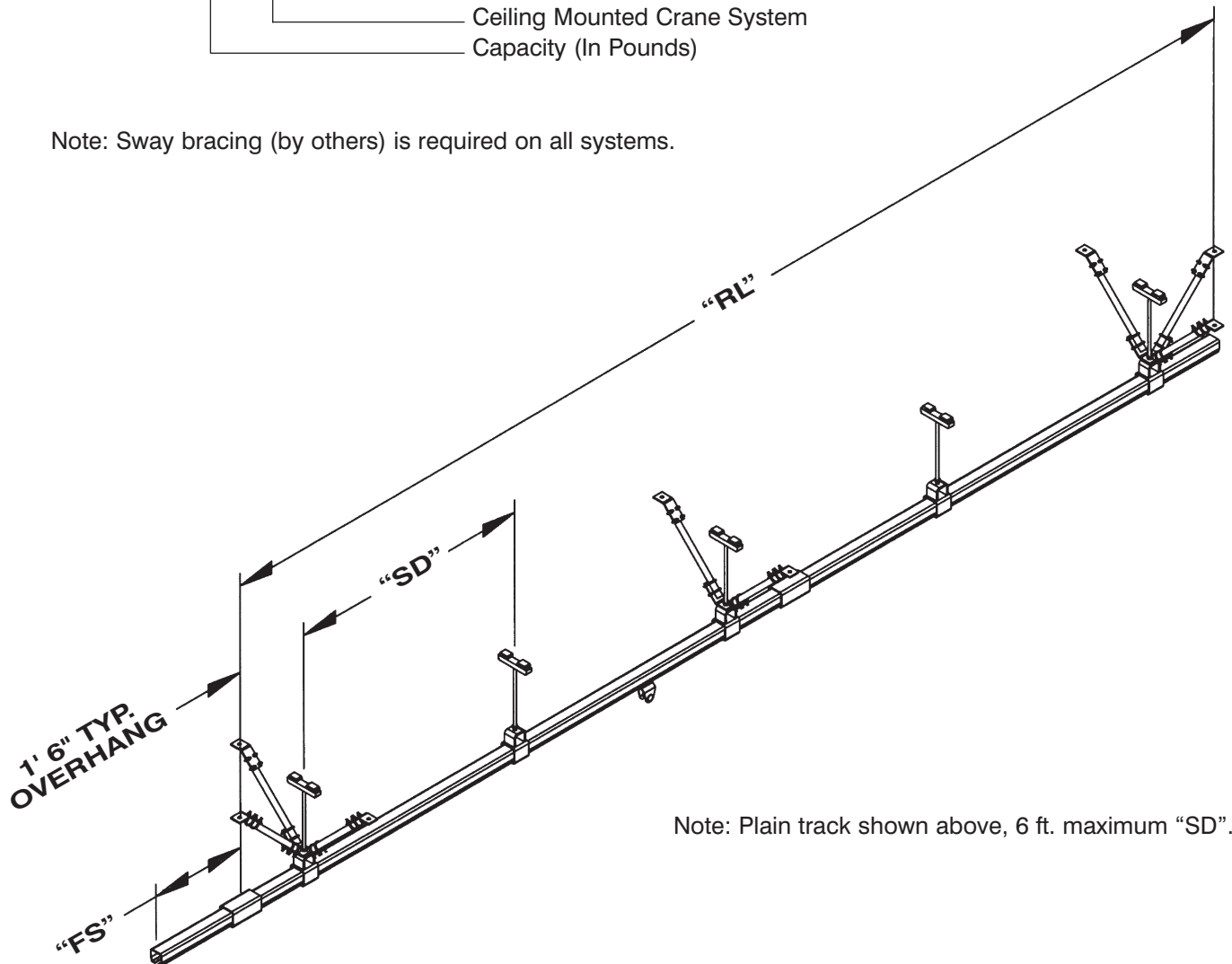
6' SUPPORT CENTERS

- * Ceiling Mounted Work Area Monorail Systems:
- * Steel: Maximum hanger centers Plain Track (SD) = 6'-0"
Support Distance (SD) is maximum. On multiple bay systems, bay spacing will be divided equally unless otherwise specified.
- * Systems include:

<ul style="list-style-type: none"> > Hoist Trolley > Monorail > Splice Assemblies 	<ul style="list-style-type: none"> > Hanger Assemblies > Festoon Trolleys > 4-Cond #14 Flat Cable or 1/2" Air Hose 	<ul style="list-style-type: none"> > Festoon Clamps > Festoon Stack-up Section
---	--	--
- * Sway Bracing is required on all Ceiling Mounted **LodeRail** systems for lateral stability. Systems meet all Seismic Zone 4 requirements.
- * Part Number Explanation: _____



Note: Sway bracing (by others) is required on all systems.



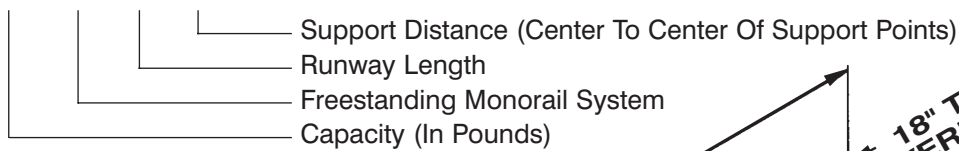
Note: Plain track shown above, 6 ft. maximum "SD".

FREE STANDING WORK AREA MONORAILS 20', 25' & 30' SUPPORT CENTERS

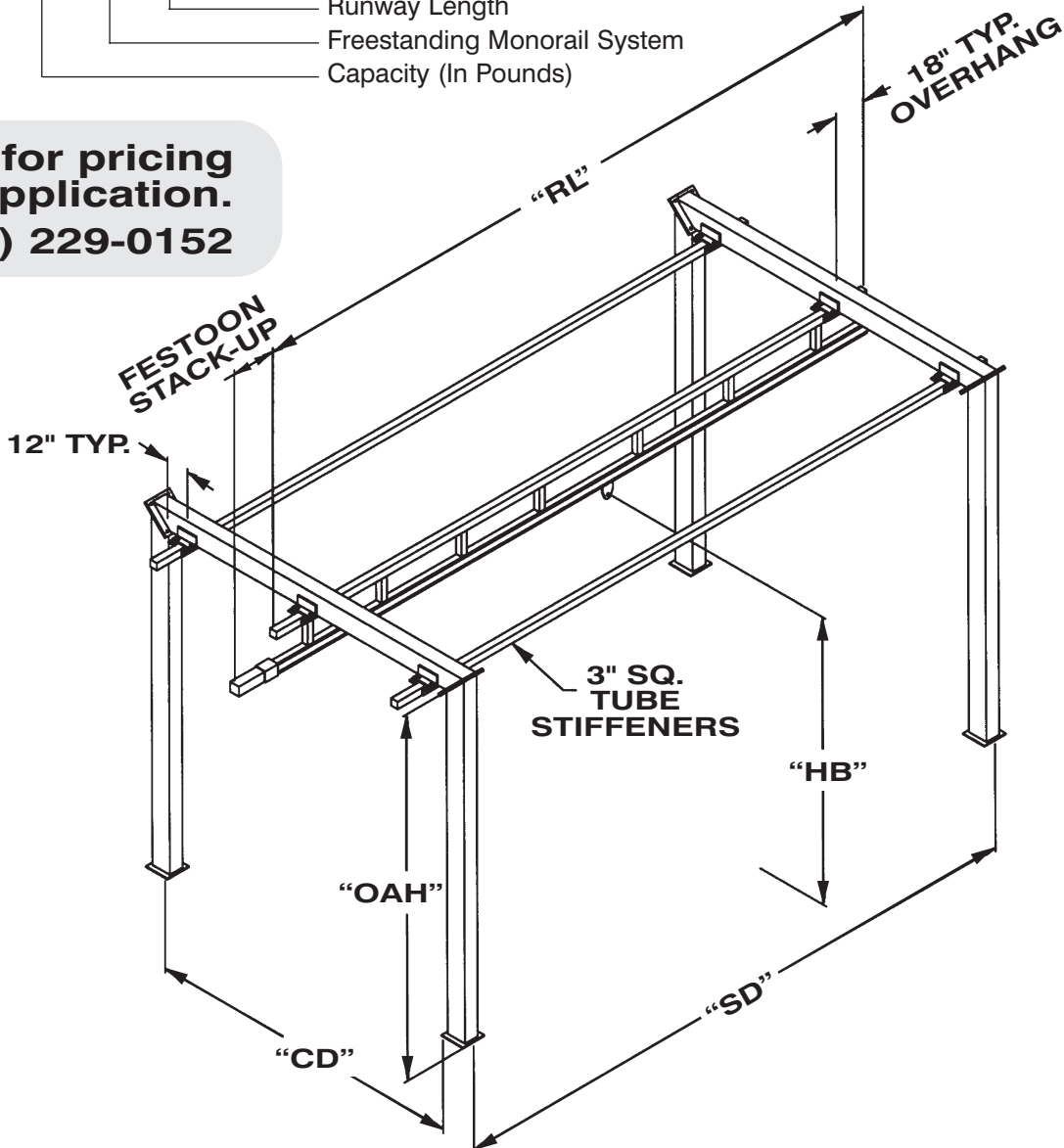
- * Free Standing Work Area Monorail Systems:
- * Steel: Maximum hanger centers Trussed Track (SD) = 20'-0, 25'-0, or 30'-0
Support Distance (SD) is maximum. On multiple bay systems, bay spacing will be divided equally unless otherwise specified.
- * Systems include:

> Hoist Trolley	> 3" Sq. Tube Stiffeners	> Festoon Clamps
> Monorail	> Festoon Trolleys	> Festoon Stack-up Section
> Splice Assemblies	> 4-Cond #14 Flat Cable or 1/2" Air Hose	
- * Tube stiffeners are required on all Free Standing Monorail systems for lateral stability. Systems meet all Seismic Zone 4 requirements.
- * Part Number Explanation: _____

CAP. FSM RL SD



**Call for pricing
on application.
(800) 229-0152**





CEILING MOUNTED MONORAILS

RUNWAY LENGTH	SD	NO. OF HANGERS	250# CAPACITY			500# CAPACITY		
			MODEL NUMBER CAP M RL SD	WEIGHT	PRICE	MODEL NUMBER CAP M RL SD	WEIGHT	PRICE
11'-6"	6'	3	250 - M - 11 - 06	110 #	\$700	500 - M - 11 - 06	130 #	\$786
	20'	2	250 - M - 11 - 20	120 #	\$753	500 - M - 11 - 20	150 #	\$834
23'-0"	6'	5	250 - M - 23 - 06	130 #	\$975	500 - M - 23 - 06	185 #	\$1,124
	20'	2	250 - M - 23 - 20	135 #	\$1,042	500 - M - 23 - 20	200 #	\$1,177
28'-0"	25'	2	250 - M - 28 - 25	245 #	\$1,424	500 - M - 28 - 25	315 #	\$1,675
33'-0"	6'	7	250 - M - 33 - 06	165 #	\$1,177	500 - M - 33 - 06	245 #	\$1,540
	20'	3	250 - M - 33 - 20	175 #	\$1,486	500 - M - 33 - 20	260 #	\$1,682
33'-0"	30'	2	250 - M - 33 - 30	360 #	\$1,707	500 - M - 33 - 30	360 #	\$1,877
43'-0"	6'	9	250 - M - 43 - 06	240 #	\$1,520	500 - M - 43 - 06	350 #	\$1,789
	20'	3	250 - M - 43 - 20	265 #	\$1,971	500 - M - 43 - 20	400 #	\$2,000
53'-0"	6'	11	250 - M - 53 - 06	310 #	\$1,877	500 - M - 53 - 06	450 #	\$2,131
	20'	4	250 - M - 53 - 20	325 #	\$2,155	500 - M - 53 - 20	490 #	\$2,463
	25'	3	250 - M - 53 - 25	460 #	\$2,488	500 - M - 53 - 25	600 #	\$2,951
63'-0"	6'	13	250 - M - 63 - 06	380 #	\$2,131	500 - M - 63 - 06	550 #	\$2,441
	20'	4	250 - M - 63 - 20	420 #	\$2,387	500 - M - 63 - 20	610 #	\$2,763
63'-0"	30'	3	250 - M - 63 - 30	650 #	\$3,152	500 - M - 63 - 30	650 #	\$3,464
78'-0"	25'	4	250 - M - 78 - 25	675 #	\$3,705	500 - M - 78 - 25	885 #	\$4,512
83'-0"	6'	17	250 - M - 83 - 06	430 #	\$2,931	500 - M - 83 - 06	630 #	\$3,334
	20'	5	250 - M - 83 - 20	475 #	\$3,287	500 - M - 83 - 20	715 #	\$3,867
93'-0"	30'	4	250 - M - 93 - 30	970 #	\$4,559	500 - M - 93 - 30	970 #	\$5,010
103'-0"	6'	24	250 - M - 103 - 06	520 #	\$3,531	500 - M - 103 - 06	710 #	\$4,021
	20'	6	250 - M - 103 - 20	565 #	\$3,947	500 - M - 103 - 20	820 #	\$4,726
	25'	5	250 - M - 103 - 25	900 #	\$4,821	500 - M - 103 - 25	1170 #	\$5,897
123'-0"	30'	5	250 - M - 123 - 30	1275 #	\$5,953	500 - M - 123 - 30	1275 #	\$6,542

Price of Monorail System includes:

- >Hoist Trolley
- >Monorail
- >Splice Assemblies
- >Hanger Assemblies
- >Festoon Trolleys
- >4-Cond #14 Flat Cable or 1/2" Air Hose
- >Festoon Clamps
- >Festoon Stack-up Section

NOTE: Hanger Assemblies include threaded rod (up to 72" in length), and hardware for the number of hangers specified. Sway bracing (by others) is required on all systems.

Support Distance (SD) is maximum. On multiple bay systems, bay spacing will be divided equally unless otherwise specified.

For SD Dimension of 6', Center line of splice joints must be within 18" of hanger center line.

For SD Dimensions of 20', 25', and 30', Center line of splice joints must be within 48" of hanger center line.



CEILING MOUNTED MONORAILS

RUNWAY LENGTH	SD	NO. OF HANGERS	1000# CAPACITY			2000# CAPACITY		
			MODEL NUMBER CAP M RL SD	WEIGHT	PRICE	MODEL NUMBER CAP M RL SD	WEIGHT	PRICE
11'-6"	6'	3	1000 - M - 11 - 06	170 #	\$1,009	2000 - M - 11 - 06	245 #	\$1,204
	20'	2	1000 - M - 11 - 20	220 #	\$1,042	2000 - M - 11 - 20	290 #	\$1,257
23'-0"	6'	5	1000 - M - 23 - 06	215 #	\$1,500	2000 - M - 23 - 06	310 #	\$1,856
	20'	2	1000 - M - 23 - 20	280 #	\$1,559	2000 - M - 23 - 20	380 #	\$1,802
28'-0"	25'	2	1000 - M - 28 - 25	510 #	\$1,849	2000 - M - 28 - 25	675 #	\$2,468
33'-0"	6'	7	1000 - M - 33 - 06	310 #	\$2,077	2000 - M - 33 - 06	440 #	\$2,535
	20'	3	1000 - M - 33 - 20	375 #	\$2,226	2000 - M - 33 - 20	525 #	\$2,682
33'-0"	30'	2	1000 - M - 33 - 30	550 #	\$2,307	2000 - M - 33 - 30	735 #	\$2,807
43'-0"	6'	9	1000 - M - 43 - 06	475 #	\$2,387	2000 - M - 43 - 06	660 #	\$2,931
	20'	3	1000 - M - 43 - 20	600 #	\$2,563	2000 - M - 43 - 20	825 #	\$3,086
53'-0"	6'	11	1000 - M - 53 - 06	610 #	\$2,966	2000 - M - 53 - 06	860 #	\$3,585
	20'	4	1000 - M - 53 - 20	760 #	\$3,221	2000 - M - 53 - 20	1040 #	\$3,968
	25'	3	1000 - M - 53 - 25	975 #	\$3,240	2000 - M - 53 - 25	1300 #	\$4,296
63'-0"	6'	13	1000 - M - 63 - 06	770 #	\$3,390	2000 - M - 63 - 06	1040 #	\$4,007
63'-0"	20'	4	1000 - M - 63 - 20	990 #	\$3,557	2000 - M - 63 - 20	1340 #	\$4,390
	30'	3	1000 - M - 63 - 30	1060 #	\$3,800	2000 - M - 63 - 30	1415 #	\$4,834
78'-0"	25'	4	1000 - M - 78 - 25	1670 #	\$4,714	2000 - M - 78 - 25	1920 #	\$6,872
83'-0"	6'	17	1000 - M - 83 - 06	890 #	\$4,566	2000 - M - 83 - 06	1235 #	\$5,386
	20'	5	1000 - M - 83 - 20	1145 #	\$4,869	2000 - M - 83 - 20	1530 #	\$5,977
93'-0"	30'	4	1000 - M - 93 - 30	1565 #	\$5,501	2000 - M - 93 - 30	2100 #	\$7,074
103'-0"	6'	24	1000 - M - 103 - 06	1045 #	\$5,548	2000 - M - 103 - 06	1410 #	\$5,945
	20'	6	1000 - M - 103 - 20	1350 #	\$5,911	2000 - M - 103 - 20	1780 #	\$7,342
	25'	5	1000 - M - 103 - 25	2210 #	\$6,165	2000 - M - 103 - 25	2550 #	\$9,031
123'-0"	30'	5	1000 - M - 123 - 30	1075 #	\$7,215	2000 - M - 123 - 30	1775 #	\$9,314

Price of Monorail System includes:

- >Hoist Trolley
- >Monorail
- >Splice Assemblies
- >Hanger Assemblies
- >Festoon Trolleys
- >4-Cond #14 Flat Cable or 1/2" Air Hose
- >Festoon Clamps
- >Festoon Stack-up Section

NOTE: Hanger Assemblies include threaded rod (up to 72" in length), and hardware for the number of hangers specified. Sway bracing (by others) is required on all systems.

Support Distance (SD) is maximum. On multiple bay systems, bay spacing will be divided equally unless otherwise specified.

For SD Dimension of 6', Center line of splice joints must be within 18" of hanger center line.

For SD Dimensions of 20', 25', and 30', Center line of splice joints must be within 48" of hanger center line.



CEILING MOUNTED MONORAILS

4000# CAPACITY					
RUNWAY LENGTH	SD	NO. OF HANGERS	MODEL NUMBER		
			CAP	M	RL SD
				WEIGHT	PRICE
23'-0	6'	5	4000 - M - 23 - 06	770 #	\$2,319
	20'	2	4000 - M - 23 - 20	875 #	\$3,026
28'-0	25'	2	4000 - M - 28 - 25	1020 #	\$3,358
33'-0	6'	7	4000 - M - 33 - 06	1120 #	\$3,643
	20'	3	4000 - M - 33 - 20	1190 #	\$4,427
43'-0	6'	9	4000 - M - 43 - 06	1320 #	\$4,142
	20'	3	4000 - M - 43 - 20	1340 #	\$4,952
53'-0	6'	11	4000 - M - 53 - 06	1500 #	\$5,059
	20'	4	4000 - M - 53 - 20	1670 #	\$6,362
	25'	3	4000 - M - 53 - 25	1870 #	\$5,883
63'-0	6'	13	4000 - M - 63 - 06	1800 #	\$5,763
	20'	4	4000 - M - 63 - 20	2000 #	\$6,887
78'-0	25'	4	4000 - M - 78 - 25	2720 #	\$8,681
83'-0	6'	17	4000 - M - 83 - 06	2225 #	\$7,464
	20'	5	4000 - M - 83 - 20	2550 #	\$9,107
103'-0	6'	21	4000 - M - 103 - 06	2700 #	\$8,954
	20'	6	4000 - M - 103 - 20	3115 #	\$11,108
	25'	5	4000 - M - 103 - 25	3575 #	\$11,308

Price of Monorail System includes:

- >Hoist Trolley
- >Monorail
- >Splice Assemblies
- >Hanger Assemblies
- >Festoon Trolleys
- >4-Cond #14 Flat Cable or 1/2" Air Hose
- >Festoon Clamps
- >Festoon Stack-up Section

NOTE: Hanger Assemblies include threaded rod (up to 72" in length), and hardware for the number of hangers specified. Sway bracing (by others) is required on all systems.

Support Distance (SD) is maximum. On multiple bay systems, bay spacing will be divided equally unless otherwise specified.

For SD Dimension of 6', Center line of splice joints must be within 18" of hanger center line.
 For SD Dimensions of 20', 25', Center line of splice joints must be within 48" of hanger center line.