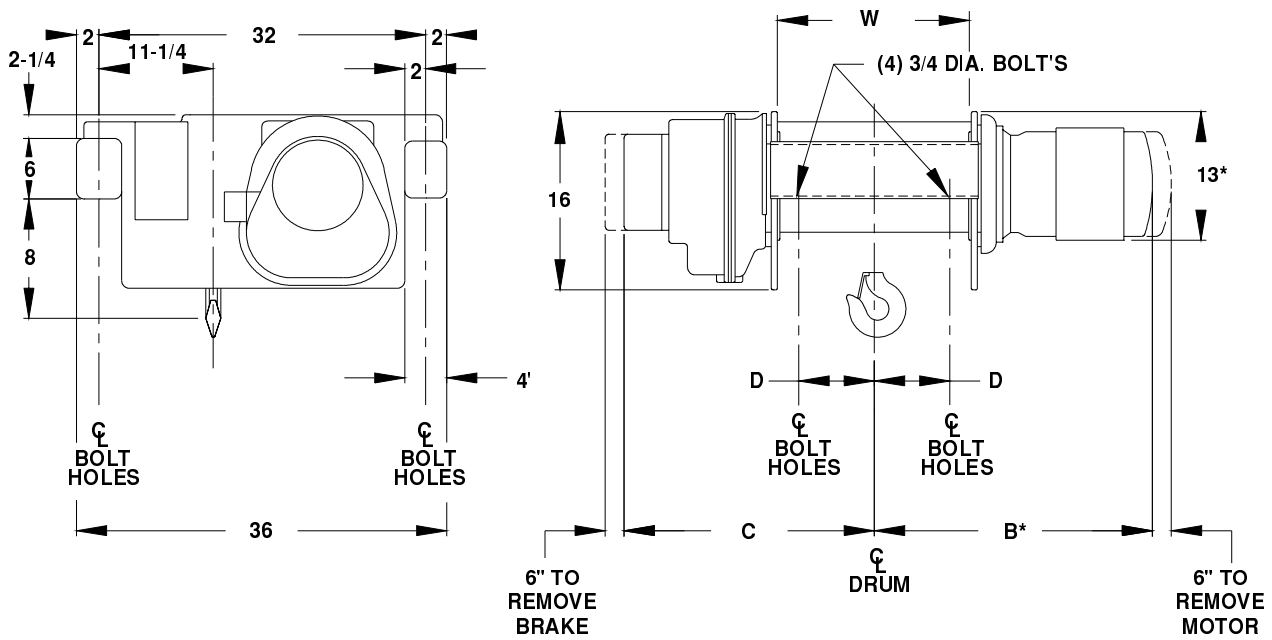


### Table of Contents

<b>Capacity</b>	<b>Page</b>
1 Ton .....	YDD-2
2 Ton .....	YDD-3
3 Ton .....	YDD-4
5 Ton .....	YDD-5
7½ Ton .....	YDD-6 - YDD-7
10 Ton .....	YDD-8 - YDD-9
15 Ton .....	YDD-10 - YDD-11
20 Ton .....	YDD-12 - YDD-13
25 Ton .....	YDD-14

## 2 Part Double Reeving



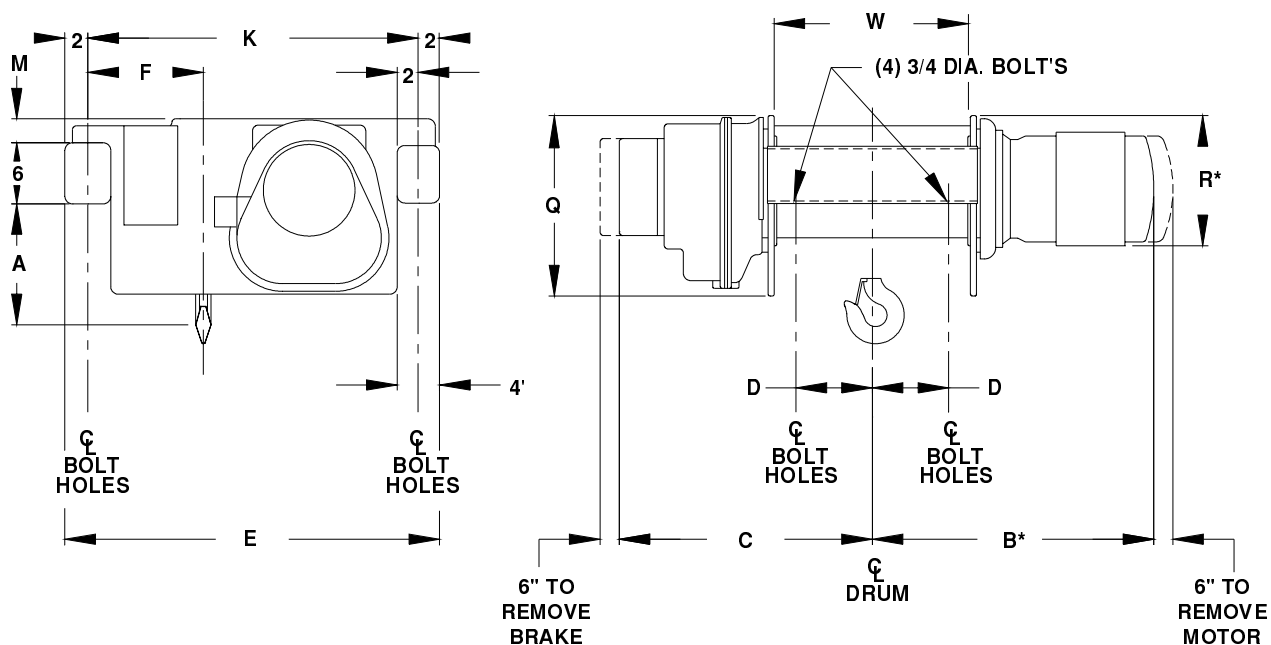
Drawing 33-103 1Ton

Model Number	Lift (ft)	Speed fpm	Motor HP/RPM	Rope Dia.	B*	C	D	W	Wt. lbs
CEW1-37DM47D2	37	47	5-1800	1/4	32	32	12	27 1/4	1130
CEW1-48DM47D2	48	47	5-1800	1/4	35	35	15	33 1/4	1170
CEW1-62DM47D2	62	47	5-1800	1/4	39	39	18 1/2	40 1/4	1290

\*Maximum dimension for single and two speed hoist.  
Additional lifts and speeds available, consult factory.

Yale reserves the right to make product changes as necessary.

### 2 Part Double Reeving



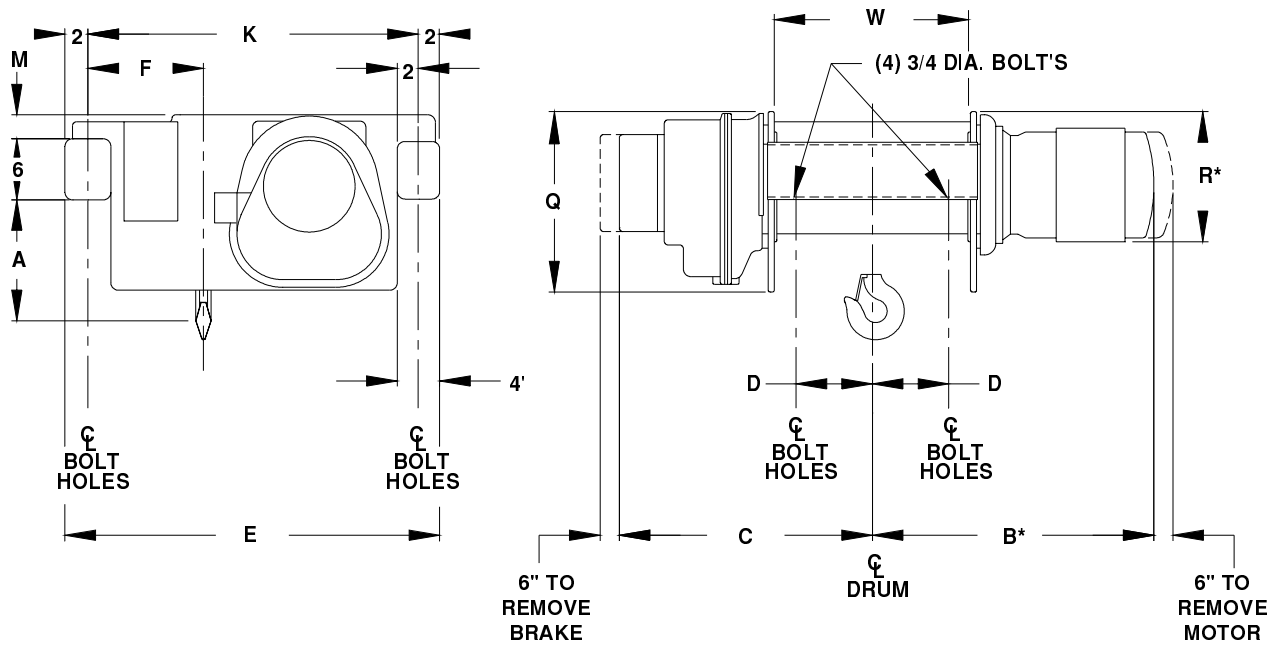
Drawing 33-103 2Ton

Model Number	Lift (ft)	Speed fpm	Motor HP/RPM	Rope Dia.	A	B*	C	D	E	F	K	M	Q	R*	W	Wt. lbs
CEW2-24DM30D2	24	30	5-1800	1/4	9	29	29	8 1/2	36	11 1/4	32	2 1/4	16	13	20 1/4	1080
CEW2-37DM30D2	37	30	5-1800	1/4	9	32	32	12	36	11 1/4	32	2 1/4	16	13	27 1/4	1140
CEW2-37DM47D2	37	47	7½-1800	1/4	9	38	32	12	36	11 1/4	32	2 1/4	16	15	27 1/4	1300
CEW2-48DM30D2	48	30	5-1800	1/4	9	35	35	15	36	11 1/4	32	2 1/4	16	13	33 1/4	1190
CEW2-48DM47D2	48	47	7½-1800	1/4	9	41	35	15	36	11 1/4	32	2 1/4	16	15	33 1/4	1340
DEW2-49DM68D2	49	68	10-1800	1/4	10	36	34	12	42 5/8	14	38 5/8	3 1/4	18 3/4	15	27 1/4	1500
CEW2-62DM30D2	62	30	5-1800	1/4	9	39	39	18 1/2	36	11 1/4	32	2 1/4	16	13	40 1/4	1240
CEW2-62DM47D2	62	47	7½-1800	1/4	9	45	39	18 1/2	36	11 1/4	32	2 1/4	16	15	40 1/4	1390
DEW2-64DM68D2	64	68	10-1800	1/4	10	39	37	15	42 5/8	14	38 5/8	3 1/4	18 3/4	15	33 1/4	1570
DEW2-81DM68D2	81	68	10-1800	1/4	10	43	41	18 1/2	42 5/8	14	38 5/8	3 1/4	18 3/4	15	40 1/4	1580
DEW2-103DM68D2	103	68	10-1800	1/4	10	47	45	23	42 5/8	14	38 5/8	3 1/4	18 3/4	15	49 1/4	1750

\*Maximum dimension for single and two speed hoist.  
Additional lifts and speeds available, consult factory.

Yale reserves the right to make product changes as necessary.

### 2 Part Double Reeving



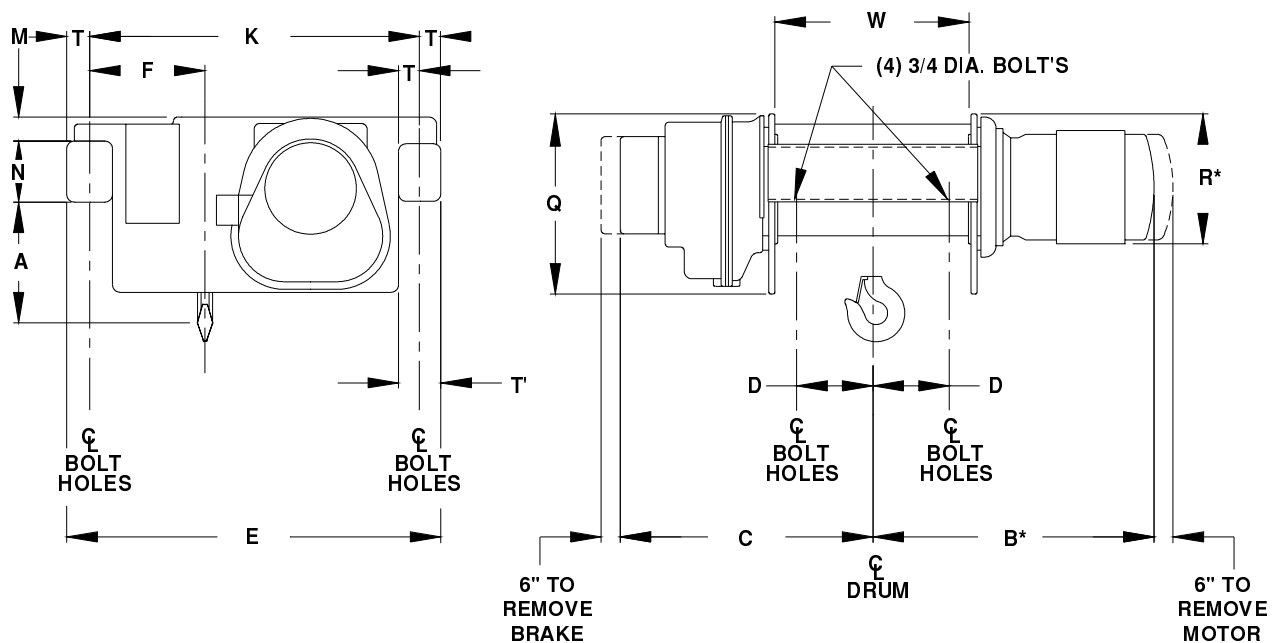
Drawing 33-103 3Ton

Model Number	Lift (ft)	Speed fpm	Motor HP/RPM	Rope Dia.	A	B*	C	D	E	F	K	M	Q	R*	W	Wt. lbs
BEW3X17DM16D2	17	16	3-1200	5/16	14	31	29	8 1/2	36 1/8	11 1/4	32 1/8	3 1/2	15 5/8	14	21 1/4	1030
BEW3X17DM24D2	17	24	5-1800	5/16	14	29	29	8 1/2	36 1/8	11 1/4	32 1/8	3 1/2	15 5/8	13	21 1/4	1010
BEW3X26DM16D2	26	16	3-1200	5/16	14	35	32	12	36 1/8	11 1/4	32 1/8	3 1/2	15 5/8	14	28 1/4	1070
BEW3X26DM24D2	26	24	5-1800	5/16	14	33	32	12	36 1/8	11 1/4	32 1/8	3 1/2	15 5/8	13	28 1/4	1040
CEW3-30DM30D2	30	30	7½-1800	5/16	12	38	32	12	36	11 1/4	32	2 1/4	16	15	27 1/4	1330
BEW3X34DM16D2	34	16	3-1200	5/16	14	38	35	15	36 1/8	11 1/4	32 1/8	3 1/2	15 5/8	14	34 1/4	1090
BEW3X34DM24D2	34	24	5-1800	5/16	14	36	35	15	36 1/8	11 1/4	32 1/8	3 1/2	15 5/8	13	34 1/4	1060
CEW3-39DM30D2	39	30	7½-1800	5/16	12	41	35	15	36	11 1/4	32	2 1/4	16	15	33 1/4	1360
DEW3-39DM45D2	39	45	10-1800	5/16	12	36	34	12	42 5/8	14	38 5/8	3 1/4	18 3/4	15	27 1/4	1550
BEW3X43DM16D2	43	16	3-1200	5/16	14	41	39	18 1/2	36 1/8	11 1/4	32 1/8	3 1/2	15 5/8	14	41 1/4	1120
BEW3X43DM24D2	43	24	5-1800	5/16	14	39	39	18 1/2	36 1/8	11 1/4	32 1/8	3 1/2	15 5/8	13	41 1/4	1090
CEW3-50DM30D2	50	30	7½-1800	5/16	12	45	39	18 1/2	36	11 1/4	32	2 1/4	16	15	40 1/4	1410
DEW3-52DM45D2	52	45	10-1800	5/16	12	39	37	15	42 5/8	14	38 5/8	3 1/4	18 3/4	15	33 1/4	1620
BEW3X55DM16D2	55	16	3-1200	5/16	14	46	43	23	36 1/8	11 1/4	32 1/8	3 1/2	15 5/8	14	50 1/4	1160
BEW3X55DM24D2	55	24	5-1800	5/16	14	44	43	23	36 1/8	11 1/4	32 1/8	3 1/2	15 5/8	13	50 1/4	1130
DEW3-66DM45D2	66	45	10-1800	5/16	13	43	41	18 1/2	42 5/8	14	38 5/8	3 1/4	18 3/4	15	40 1/4	1710
DEW3-85DM45D2	85	45	10-1800	5/16	13	48	45	23	42 5/8	14	38 5/8	3 1/4	18 3/4	15	49 1/4	1830

\*Maximum dimension for single and two speed hoist. Additional lifts and speeds available, consult factory.

Yale reserves the right to make product changes as necessary.

### 2 Part Double Reeving - D2 4 Part Double Reeving - D4



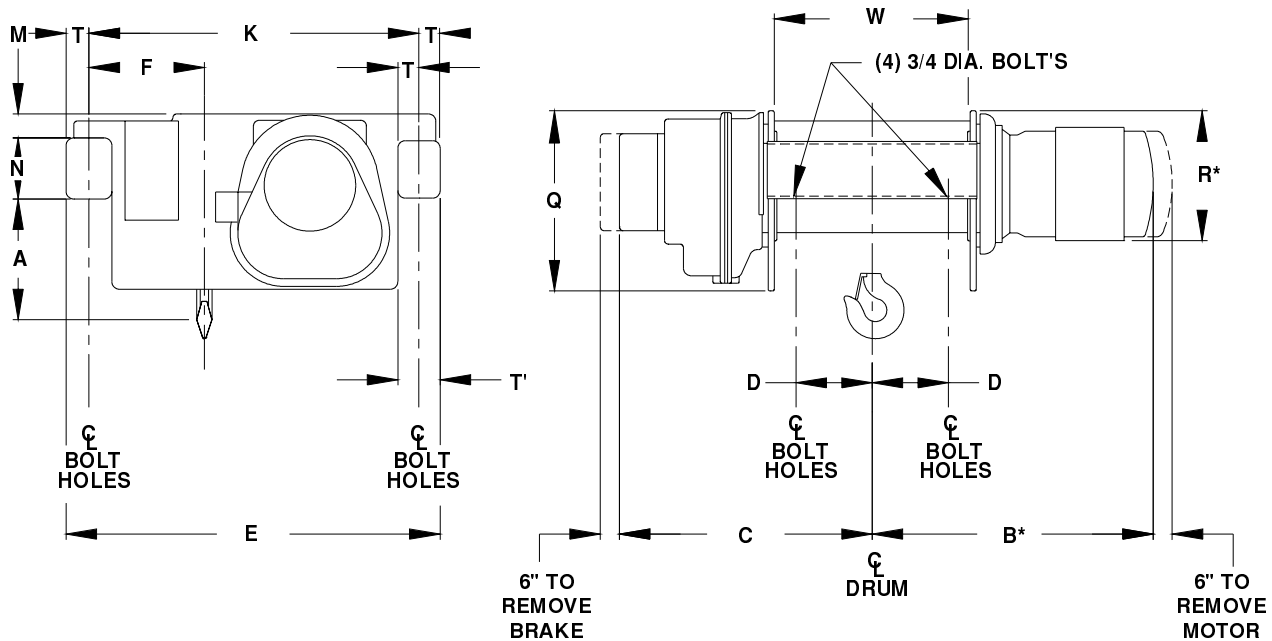
Drawing 33-103 5Ton

Model Number	Lift (ft)	Speed fpm	Motor HP/RPM	Rope Dia.	A	B*	C	D	E	F	K	M	N	Q	R*	T	T'	W	Wt. lbs
CEW5X16DM19D2	16	19	7½-1200	3/8	14	35	30	8 1/2	37 1/2	11 1/4	33 1/2	3	6	18 3/8	16	2	4	20 1/4	1570
CEW5X16DM28D2	16	28	10-1800	3/8	14	35	30	8 1/2	37 1/2	11 1/4	33 1/2	3	6	18 3/8	16	2	4	20 1/4	1600
BEW5X20DM12D4	20	12	5-1800	1/4	19	36	35	15	36 1/8	11 1/4	32 1/8	3 1/2	6	15 5/8	13	2	4	34 1/4	1140
BEW5X20DM15D4	20	15	5-1800	1/4	19	36	35	15	36 1/8	11 1/4	32 1/8	3 1/2	6	15 5/8	13	2	4	34 1/4	1140
BEW5X25DM12D4	25	12	5-1800	1/4	19	39	39	18 1/2	36 1/8	11 1/4	32 1/8	3 1/2	6	15 5/8	13	2	4	41 1/4	1200
BEW5X25DM15D4	25	15	5-1800	1/4	19	39	39	18 1/2	36 1/8	11 1/4	32 1/8	3 1/2	6	15 5/8	13	2	4	41 1/4	1200
CEW5X25DM19D2	25	19	7½-1200	3/8	14	38	34	12	37 1/2	11 1/4	33 1/2	3	6	18 3/8	16	2	4	27 1/4	1590
CEW5X25DM28D2	25	28	10-1800	3/8	14	38	34	12	37 1/2	11 1/4	33 1/2	3	6	18 3/8	16	2	4	27 1/4	1630
BEW5X33DM12D4	33	12	5-1800	1/4	19	44	44	23	36 1/8	11 1/4	32 1/8	3 1/2	6	15 5/8	13	2	4	50 1/4	1260
BEW5X33DM15D4	33	15	5-1800	1/4	19	44	44	23	36 1/8	11 1/4	32 1/8	3 1/2	6	15 5/8	13	2	4	50 1/4	1260
CEW5X33DM19D2	33	19	7½-1200	3/8	14	41	37	15	37 1/2	11 1/4	33 1/2	3	6	18 3/8	16	2	4	33 1/4	1630
CEW5X33DM28D2	33	28	10-1800	3/8	14	41	37	15	37 1/2	11 1/4	33 1/2	3	6	18 3/8	16	2	4	33 1/4	1670
CEW5X42DM19D2	42	19	7½-1200	3/8	14	45	40	18 1/2	37 1/2	11 1/4	33 1/2	3	6	18 3/8	16	2	4	40 1/4	1690
CEW5X42DM28D2	42	28	10-1800	3/8	14	45	40	18 1/2	37 1/2	11 1/4	33 1/2	3	6	18 3/8	16	2	4	40 1/4	1720
CEW5X54DM19D2	54	19	7½-1200	3/8	14	49	45	23	37 1/2	11 1/4	33 1/2	3	6	18 3/8	16	2	4	49 1/4	1750
CEW5X54DM28D2	54	28	10-1800	3/8	14	49	45	23	37 1/2	11 1/4	33 1/2	3	6	18 3/8	16	2	4	49 1/4	1790
DEW5-71DM20D2	71	20	7½-1200	3/8	13	47	45	23	42 5/8	14	38 5/8	3 1/4	6	18 3/4	15	2	4	49 1/4	1980
DEW5-71DM30D2	71	30	15-1800	3/8	13	47	45	23	42 5/8	14	38 5/8	3 1/4	6	18 3/4	15	2	4	49 1/4	1830
EEW5-105DM50D2	105	50	20-1800	3/8	12	57	55	29	51 1/8	15 1/2	45 1/8	3 3/4	8	23 1/2	18	3	6	61 1/4	3200

\*Maximum dimension for single and two speed hoist.  
Additional lifts and speeds available, consult factory.

Yale reserves the right to make product changes as necessary.

**2 Part Double Reeving - D2**  
**4 Part Double Reeving - D4**



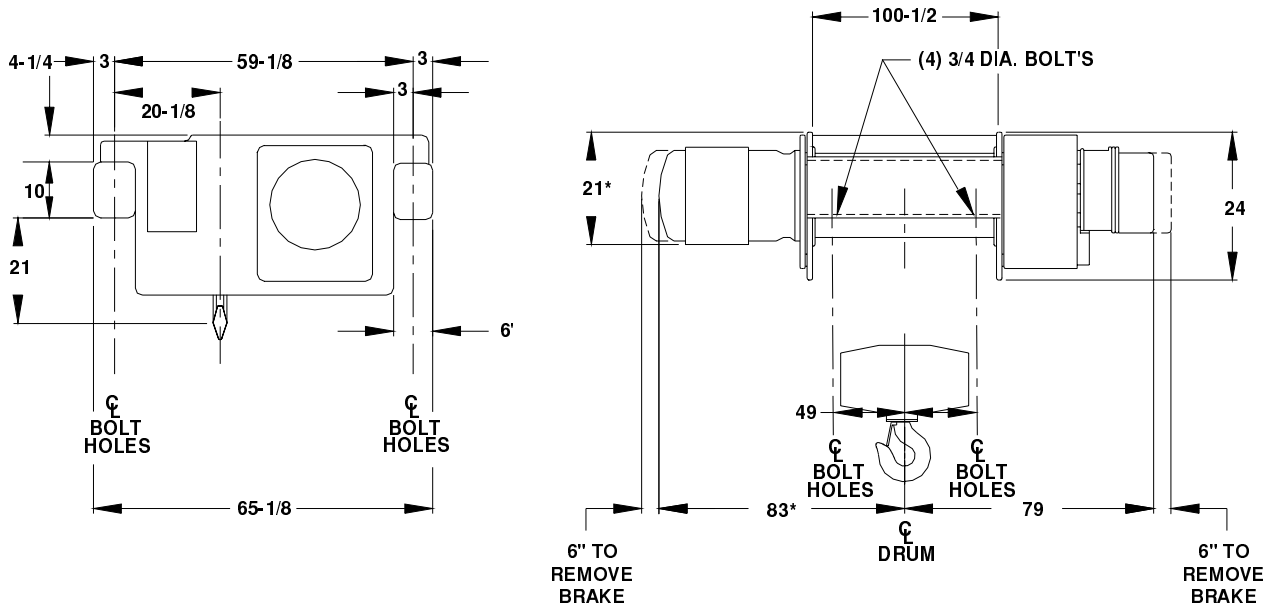
Drawing 33-103 7.5Ton

Model Number	Lift (ft)	Speed fpm	Motor HP/RPM	Rope Dia.	A	B*	C	D	E	F	K	M	N	Q	R*	T	T'	W	Wt. lbs
CEW7½X19DM8D4	19	8	5-1200	5/16	21	37	37	15	41 5/8	14	37 5/8	3 7/8	6	18 3/8	15	2	4	33 1/4	1790
CEW7½X19DM14D4	19	14	7½-1800	5/16	21	41	37	15	41 5/8	14	37 5/8	3 7/8	6	18 3/8	16	2	4	33 1/4	1560
CEW7½X25DM8D4	25	8	5-1200	5/16	21	40	40	18 1/2	41 5/8	14	37 5/8	3 7/8	6	18 3/8	15	2	4	40 1/4	1860
CEW7½X25DM14D4	25	14	7½-1800	5/16	21	45	40	18 1/2	41 5/8	14	37 5/8	3 7/8	6	18 3/8	16	2	4	40 1/4	1630
DEW7½-25DM19D4	25	19	10-1800	5/16	22	39	37	15	42 5/8	14	38 5/8	3 1/4	6	18 3/4	15	2	4	33 1/4	1800
DEW7½X280M33D2	28	33	20-1800	7/16	20	39	38	12	45	14	41	5 1/8	6	23 1/4	19	2	4	27 1/4	1990
CEW7½X32DM8D4	32	8	5-1200	5/16	21	45	45	23	41 5/8	14	37 5/8	3 7/8	6	18 3/8	15	2	4	49 1/4	1960
CEW7½X32DM14D4	32	14	7½-1800	5/16	21	49	45	23	41 5/8	14	37 5/8	3 7/8	6	18 3/8	16	2	4	49 1/4	1740
DEW7½-32DM19D4	32	19	10-1800	5/16	22	43	41	18 1/2	42 5/8	14	38 5/8	3 1/4	6	18 3/4	15	2	4	40 1/4	1880
EEW7½-32DM25D2	32	25	15-1800	7/16	17	38	38	12	51 1/8	15 1/2	45 1/8	3 3/4	8	23 1/2	18	3	6	27 1/4	2250
DEW7½X37DM33D2	37	33	20-1800	7/16	20	42	41	15	45	14	41	5 1/8	6	23 1/4	19	2	4	33 1/4	2060
DEW7½-42DM19D4	42	19	10-1800	5/16	22	47	45	23	42 5/8	14	38 5/8	3 1/4	6	18 3/4	15	2	4	49 1/4	2000
EEW7½-43DM25D2	43	25	15-1800	7/16	17	41	41	15	51 1/8	15 1/2	45 1/8	3 3/4	8	23 1/2	18	3	6	33 1/4	2360
DEW7½X47DM33D2	47	33	20-1800	7/16	20	45	44	18 1/2	45	14	41	5 1/8	6	23 1/4	19	2	4	40 1/4	2150
DEW7½-55DM19D4	55	19	10-1800	5/16	22	54	52	29	42 5/8	14	38 5/8	3 1/4	6	18 3/4	15	2	4	62 1/4	2160
EEW7½-55DM25D2	55	25	15-1800	7/16	17	44	44	18 1/2	51 1/8	15 1/2	45 1/8	3 3/4	8	23 1/2	18	3	6	40 1/4	2490
DEW7½X61DM33D2	61	33	20-1800	7/16	20	50	49	23	45	14	41	5 1/8	6	23 1/4	19	2	4	49 1/4	2270
EEW7½-71DM25D2	71	25	15-1800	7/16	17	49	49	23	51 1/8	15 1/2	45 1/8	3 3/4	8	23 1/2	18	3	6	49 1/4	2680
DEW7½X80DM33D2	80	33	20-1800	7/16	20	56	55	29	45	14	41	5 1/8	6	23 1/4	19	2	4	62 1/4	2440
EEW7½-91DM25D2	91	25	15-1800	7/16	17	55	55	29	51 1/8	15 1/2	45 1/8	3 3/4	8	23 1/2	18	3	6	61 1/4	2900
EEW7½-128DM38D2	128	38	20-1800	7/16	17	67	65	39 1/2	51 1/8	15 1/2	45 1/8	3 3/4	8	23 1/2	19	3	6	82 1/4	3700

\*Maximum dimension for single and two speed hoist.  
Additional lifts and speeds available, consult factory.

Yale reserves the right to make product changes as necessary.

## 2 Part Double Reeving



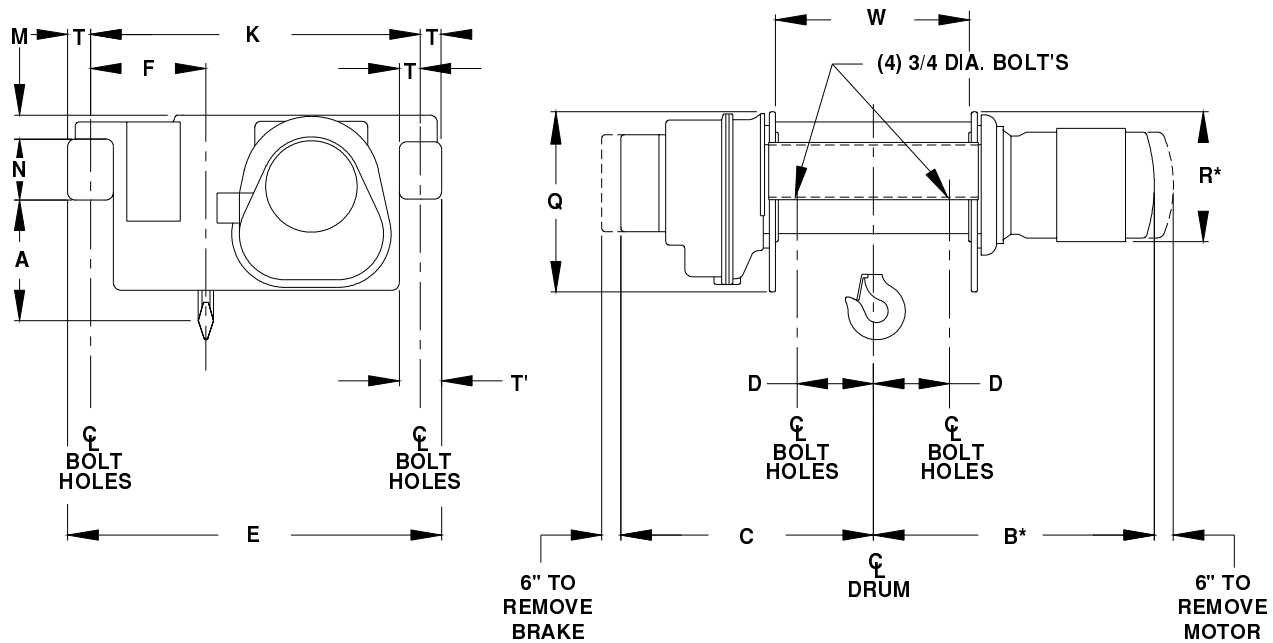
Drawing 33-104 7.5Ton

Model Number	Lift (ft)	Speed fpm	Motor HP/RPM	Rope Dia.	Wt. lbs
FEW7½-173DM35D2	173	35	20-1800	7/16	5510

\*Maximum dimension for single and two speed hoist.  
Additional lifts and speeds available, consult factory.

**Yale reserves the right to make product changes as necessary.**

### 4 Part Double Reeving



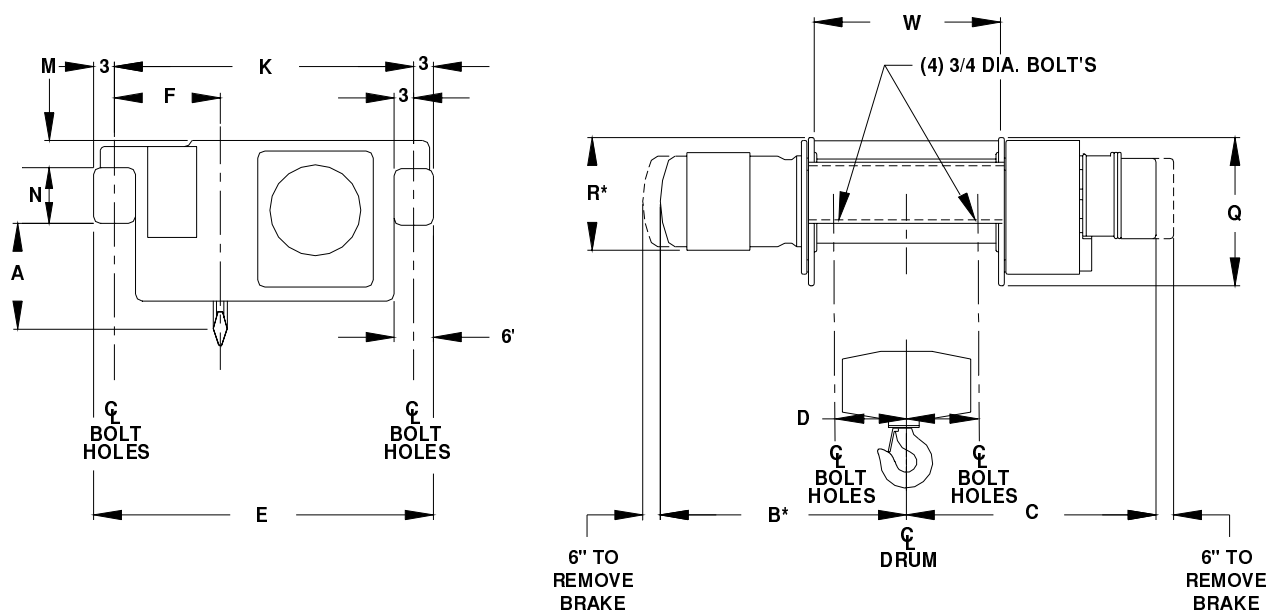
Drawing 33-103 10Ton

Model Number	Lift (ft)	Speed fpm	Motor HP/RPM	Rope Dia.	A	B*	C	D	E	F	K	M	N	Q	R*	T	T'	W	Wt. lbs
CEW10X20DM8D4	20	8	7½-1200	3/8	25	45	40	18 1/2	41 5/8	14	37 5/8	3 7/8	6	18 3/8	16	2	4	40 1/4	1940
CEW10X20DM14D4	20	14	10-1800	3/8	25	45	40	18 1/2	41 5/8	14	37 5/8	3 7/8	6	18 3/8	16	2	4	40 1/4	1750
EEW10-23DM19D4	23	19	15-1800	3/8	26	41	41	15	51 1/8	15 1/2	45 1/8	3 3/4	8	23 1/2	17	3	6	33 1/4	2670
EEW10-23DM25D4	23	25	20-1800	3/8	26	43	41	15	51 1/8	15 1/2	45 1/8	3 3/4	8	23 1/2	18	3	6	33 1/4	3040
CEW10X25DM8D4	25	8	7½-1200	3/8	25	49	45	23	41 5/8	14	37 5/8	3 7/8	6	18 3/8	16	2	4	49 1/4	2000
CEW10X25DM14D4	25	14	10-1800	3/8	25	49	45	23	41 5/8	14	37 5/8	3 7/8	6	18 3/8	16	2	4	49 1/4	1860
EEW10-30DM19D4	30	19	15-1800	3/8	26	44	44	18 1/2	51 1/8	15 1/2	45 1/8	3 3/4	8	23 1/2	17	3	6	40 1/4	2810
EEW10-30DM25D4	30	25	20-1800	3/8	26	46	44	18 1/2	51 1/8	15 1/2	45 1/8	3 3/4	8	23 1/2	18	3	6	40 1/4	3190
DEW10-35DM15D4	35	15	10-1800	3/8	25	47	45	23	42 5/8	14	38 5/8	3 1/4	6	18 3/4	15	2	4	49 1/4	2090
EEW10-38DM19D4	38	19	15-1800	3/8	26	49	49	23	51 1/8	15 1/2	45 1/8	3 3/4	8	23 1/2	17	3	6	49 1/4	3030
EEW10-38DM25D4	38	25	20-1800	3/8	26	51	49	23	51 1/8	15 1/2	45 1/8	3 3/4	8	23 1/2	18	3	6	49 1/4	3390
DEW10-46DM15D4	46	15	10-1800	3/8	25	54	52	29 1/2	42 5/8	14	38 5/8	3 1/4	6	18 3/4	15	2	4	62 1/4	2270
EEW10-50DM19D4	50	19	15-1800	3/8	26	55	55	29	51 1/8	15 1/2	45 1/8	3 3/4	8	23 1/2	17	3	6	61 1/4	3280
EEW10-50DM25D4	50	25	20-1800	3/8	26	57	55	29	51 1/8	15 1/2	45 1/8	3 3/4	8	23 1/2	18	3	6	61 1/4	3630
EEW10-71DM19D4	71	19	15-1800	3/8	26	68	66	39 1/2	51 1/8	15 1/2	45 1/8	3 3/4	8	23 1/2	17	3	6	82 1/4	3700
EEW10-71 DM25D4	71	25	20-1800	3/8	26	68	66	39 1/2	51 1/8	15 1/2	45 1/8	3 3/4	8	23 1/2	18	3	6	82 1/4	4050

\*Maximum dimension for single and two speed through 20 HP; and 25 & 30 HP Flux Vector. Additional lifts and speeds available, consult factory.

Yale reserves the right to make product changes as necessary.

### 2 Part Double Reeving



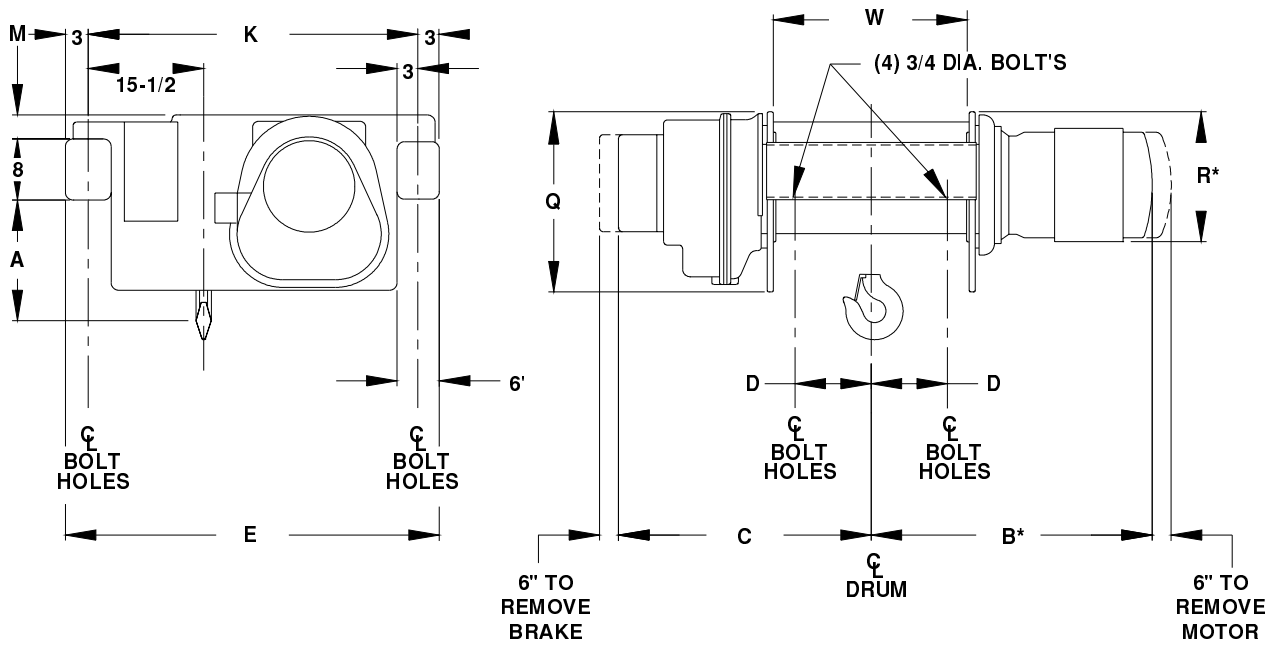
Drawing 33-104 10Ton

Model Number	Lift (ft)	Speed fpm	Motor HP/RPM	Rope Dia.	A	B*	C	D	E	F	K	M	N	Q	R*	W	Wt. lbs
EEW10X33DM26D2	33	26	20-1800	1/2	23	43	46	15	53 1/2	15 1/2	47 1/2	4 1/8	8	24 1/8	20	33 1/4	3260
EEW10X44DM26D2	44	26	20-1800	1/2	23	46	49	18 1/2	53 1/2	15 1/2	47 1/2	4 1/8	8	24 1/8	20	40 1/4	3390
EEW10X57DM26D2	57	26	20-1800	1/2	23	51	54	23	53 1/2	15 1/2	47 1/2	4 1/8	8	24 1/8	20	49 1/4	3560
EEW10X75DM26D2	75	26	20-1800	1/2	23	57	60	29	53 1/2	15 1/2	47 1/2	4 1/8	8	24 1/8	20	61 1/4	3840
EEW10X106DM19D2	106	19	15-1800	1/2	23	67	70	39 1/2	53 1/2	15 1/2	47 1/2	4 1/8	8	24 1/8	20	82 1/4	4150
EEW10X106DM26D2	106	26	20-1800	1/2	23	67	70	39 1/2	53 1/2	15 1/2	47 1/2	4 1/8	8	24 1/8	20	82 1/4	4170
FEW10-150DM21D2	150	21	15-1800	1/2	30	79	79	49	65 1/8	20 1/8	59 1/8	4 1/4	10	24	21	100 1/2	5470
FEW10-150DM29D2	150	29	20-1800	1/2	30	79	79	49	65 1/8	20 1/8	59 1/8	4 1/4	10	24	22	100 1/2	5470
FEW10-150DM46D2	150	46	30-1800	1/2	30	95	79	49	65 1/8	20 1/8	59 1/8	4 1/4	10	24	22	100 1/2	5650

\*Maximum dimension for single and two speed through 20 HP; and 25 & 30 HP Flux Vector.  
Additional lifts and speeds available, consult factory.

Yale reserves the right to make product changes as necessary.

## 4 Part Double Reeving



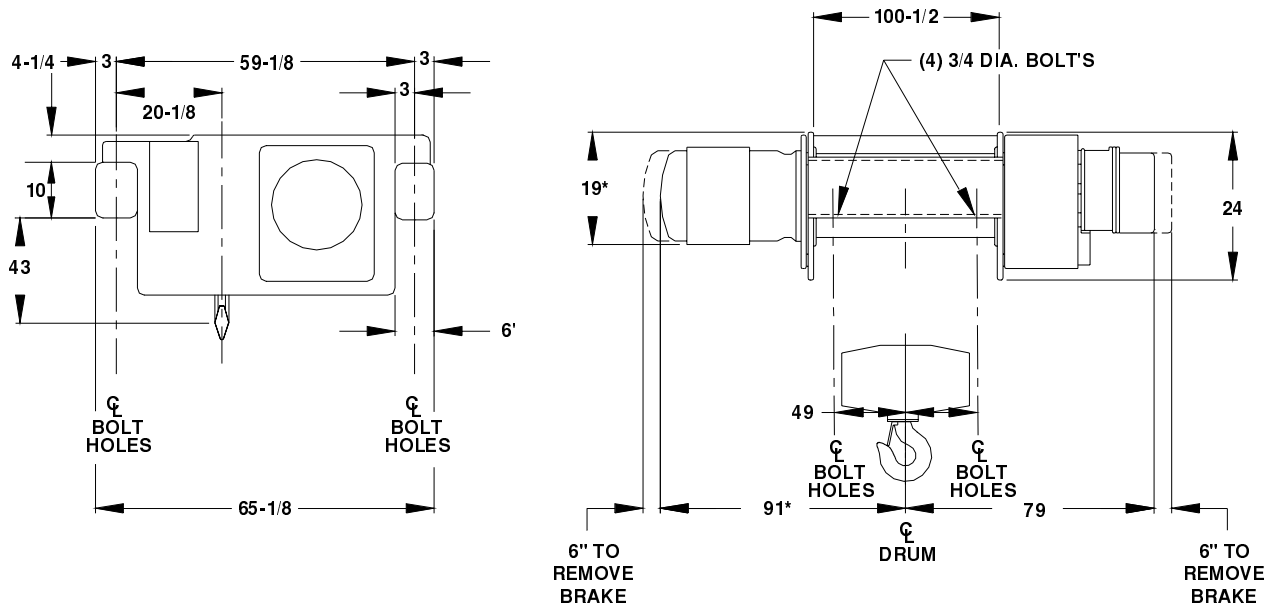
Drawing 33-103 15Ton

Model Number	Lift (ft)	Speed fpm	Motor HP/RPM	Rope Dia.	A	B*	C	D	E	K	M	Q	R*	W	Wt. lbs
DEW15X17DM11D4	17	11	12-1800	7/16	29	41	41	15	50 3/8	44 3/8	5 5/8	23 1/4	17	33 1/4	2430
DEW15X17DM16D4	17	16	20-1800	7/16	31	42	41	15	50 3/8	44 3/8	5 5/8	23 1/4	19	33 1/4	2430
EEW15-19DM19D4	19	19	20-1800	7/16	31	42	41	15	51 1/8	45 1/8	3 3/4	23 1/2	19	33 1/4	3000
DEW15X22DM11D4	22	11	12-1800	7/16	29	44	44	18 1/2	50 3/8	44 3/8	5 5/8	23 1/4	17	40 1/4	2530
DEW15X22DM16D4	22	16	20-1800	7/16	31	45	44	18 1/2	50 3/8	44 3/8	5 5/8	23 1/4	19	40 1/4	2530
EEW15-25DM19D4	25	19	20-1800	7/16	31	45	44	18 1/2	51 1/8	45 1/8	3 3/4	23 1/2	19	40 1/4	3140
DEW15X29DM11D4	29	11	12-1800	7/16	29	49	49	23	50 3/8	44 3/8	5 5/8	23 1/4	17	49 1/4	2660
DEW15X29DM16D4	29	16	20-1800	7/16	31	50	49	23	50 3/8	44 3/8	5 5/8	23 1/4	19	49 1/4	2660
EEW15-33DM19D4	33	19	20-1800	7/16	31	50	49	23	51 1/8	45 1/8	3 3/4	23 1/2	19	49 1/4	3360
DEW15X38DM11D4	38	11	12-1800	7/16	29	55	55	29	50 3/8	44 3/8	5 5/8	23 1/4	17	62 1/4	2830
DEW15X38DM16D4	38	16	20-1800	7/16	31	56	55	29	50 3/8	44 3/8	5 5/8	23 1/4	19	62 1/4	2830
EEW15-43DM19D4	43	19	20-1800	7/16	31	56	55	29	51 1/8	45 1/8	3 3/4	23 1/2	19	61 1/4	3620
EEW15-61DM19D4	61	19	20-1800	7/16	31	67	66	39 1/2	51 1/8	45 1/8	3 3/4	23 1/2	19	82 1/4	4170

\*Maximum dimension for single and two speed through 20 HP; and 25 & 30 HP Flux Vector. Additional lifts and speeds available, consult factory.

Yale reserves the right to make product changes as necessary.

## 4 Part Double Reeving



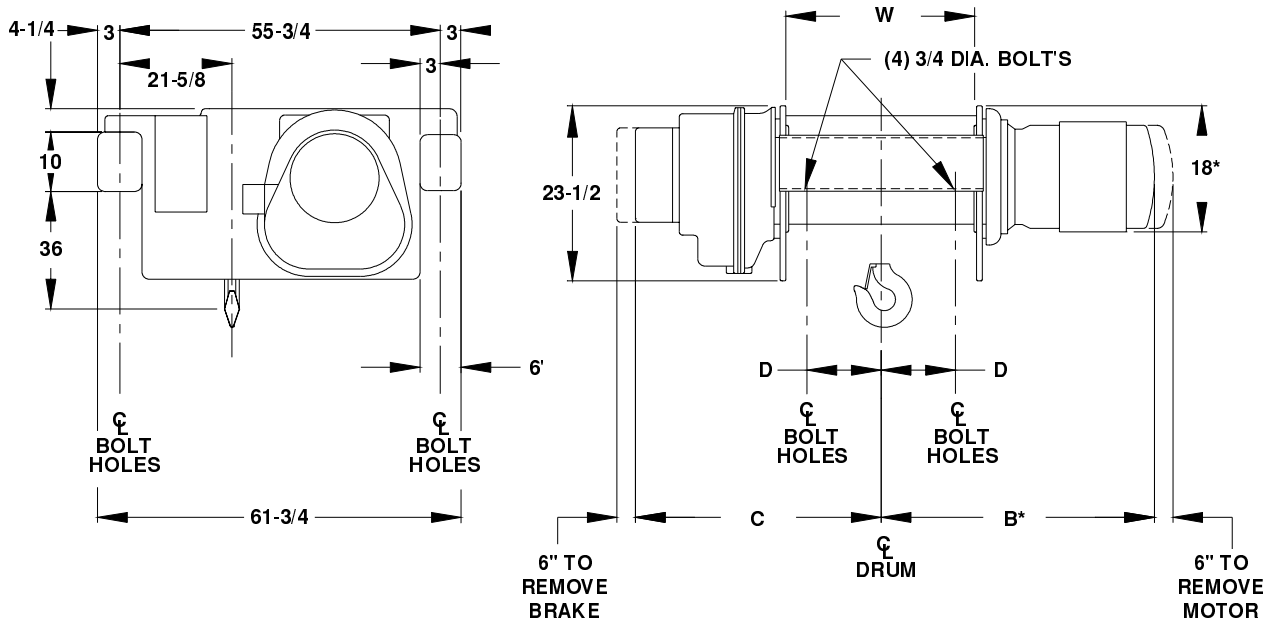
Drawing 33-104 15Ton

Model Number	Lift (ft)	Speed fpm	Motor HP/RPM	Rope Dia.	Wt. lbs
FEW15-87DM23D4	87	23	25-1800	7/16	6290

\*Maximum dimension for single and two speed through 20 HP; and 25 & 30 HP Flux Vector. Additional lifts and speeds available, consult factory.

Yale reserves the right to make product changes as necessary.

## 6 Part Double Reeving



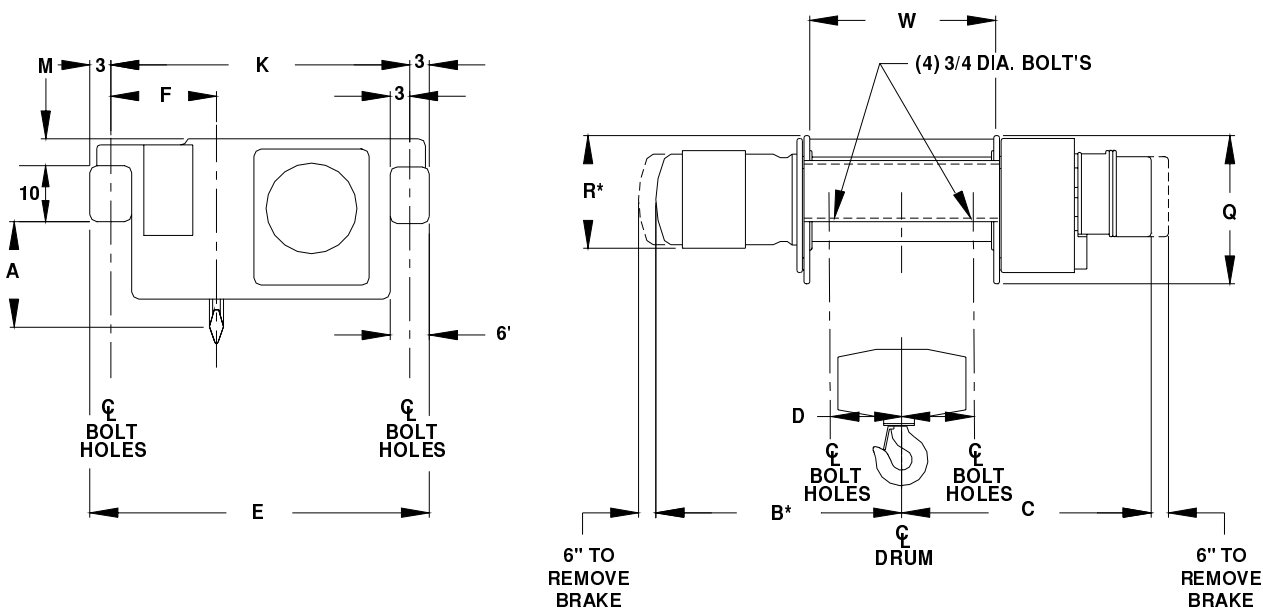
Drawing 33-103 20Ton

Model Number	Lift (ft)	Speed fpm	Motor HP/RPM	Rope Dia.	B*	C	D	W	Wt. lbs
EEW20-19DM8D6	19	8	12-1800	7/16	49	49	23	49 1/4	4250
EEW20-19DM13D6	19	13	20-1800	7/16	51	49	23	49 1/4	4600
EEW20-26DM8D6	26	8	12-1800	7/16	55	55	29	61 1/4	4540
EEW20-26DM13D6	26	13	20-1800	7/16	57	55	29	61 1/4	4880
EEW20-38DM13D6	38	13	20-1800	7/16	67	65	39 1/2	82 1/4	5410

\*Maximum dimension for single and two speed through 20 HP; and 25 & 30 HP Flux Vector. Additional lifts and speeds available, consult factory.

Yale reserves the right to make product changes as necessary.

### 4 Part Double Reeving



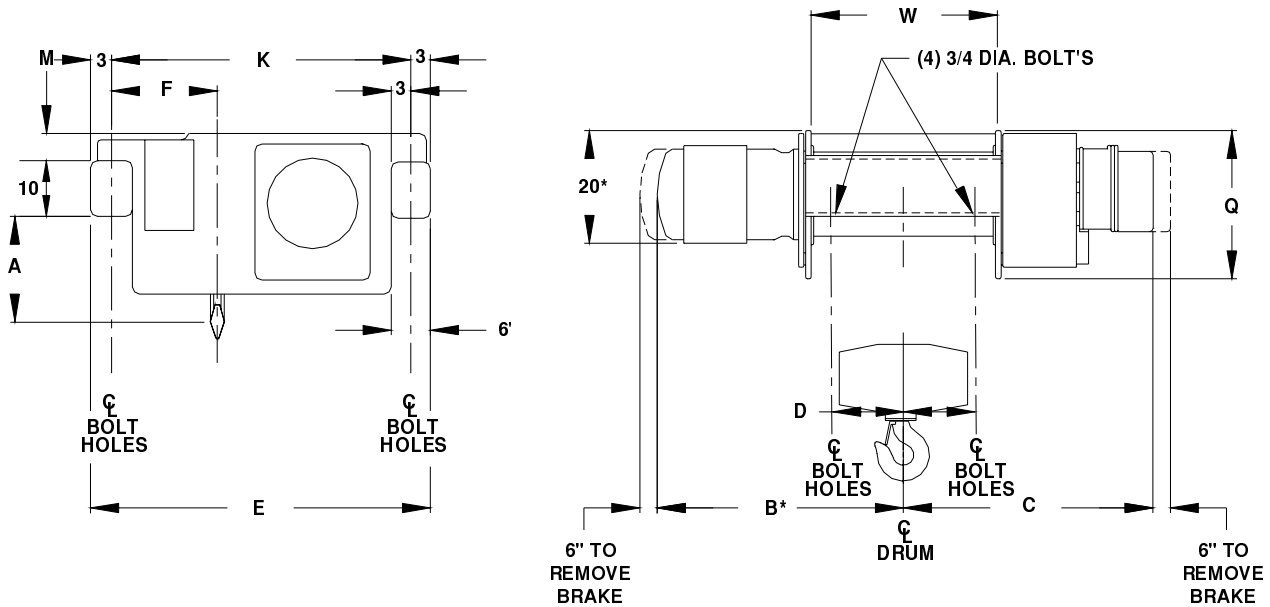
Drawing 33-104 20Ton

Model Number	Lift (ft)	Speed fpm	Motor HP/RPM	Rope Dia.	A	B*	C	D	E	F	K	M	Q	R*	W	Wt. lbs
EEW20X22DM21D4	22	21	30-1800	1/2	36	59	49	18 1/2	64 1/2	21 5/8	58 1/2	4 5/8	24 1/8	20	40 1/4	4770
EEW20X28DM21D4	28	21	30-1800	1/2	36	64	54	23	64 1/2	21 5/8	58 1/2	4 5/8	24 1/8	20	49 1/4	4980
EEW20X37DM21D4	37	21	30-1800	1/2	36	70	60	29	64 1/2	21 5/8	58 1/2	4 5/8	24 1/8	20	61 1/4	5270
EEW20X53DM13D4	53	13	20-1800	1/2	34	67	70	39 1/2	64 1/2	21 5/8	58 1/2	4 5/8	24 1/8	20	82 1/4	5500
EEW20X53DM21D4	53	21	30-1800	1/2	36	80	70	39 1/2	64 1/2	21 5/8	58 1/2	4 5/8	24 1/8	20	82 1/4	5800
FEW20-75DM23D4	75	23	30-1800	1/2	43	95	79	49	65 1/8	20 1/8	59 1/8	4 1/4	24	21	100 1/2	6690

\*Maximum dimension for single and two speed through 20 HP; and 25 & 30 HP Flux Vector. Additional lifts and speeds available, consult factory.

Yale reserves the right to make product changes as necessary.

## 4 Part Double Reeving



Drawing 33-104 25Ton

Model Number	Lift (ft)	Speed fpm	Motor HP/RPM	Rope Dia.	A	B*	C	D	E	F	K	M	Q	W	Wt. lbs
EEW25X19DM9D4	19	9	20-1800	9/16	40	45	49	18 1/2	64 1/2	21 5/8	58 1/2	4 5/8	24 1/8	40 1/4	5330
EEW25X19DM13D4	19	13	25-1800	9/16	40	46	49	18 1/2	64 1/2	21 5/8	58 1/2	4 5/8	24 1/8	40 1/4	5330
EEW25X25DM9D4	25	9	20-1800	9/16	40	50	54	23	64 1/2	21 5/8	58 1/2	4 5/8	24 1/8	49 1/4	5610
EEW25X25DM13D4	25	13	25-1800	9/16	40	51	54	23	64 1/2	21 5/8	58 1/2	4 5/8	24 1/8	49 1/4	5610
EEW25X33DM9D4	33	9	20-1800	9/16	40	56	60	29	64 1/2	21 5/8	58 1/2	4 5/8	24 1/8	61 1/4	6090
EEW25X33DM13D4	33	13	25-1800	9/16	40	57	60	29	64 1/2	21 5/8	58 1/2	4 5/8	24 1/8	61 1/4	6090
EEW25X47DM13D4	47	13	25-1800	9/16	40	67	70	39 1/2	64 1/2	21 5/8	58 1/2	4 5/8	24 1/8	82 1/4	6930
FEW25-67DM18D4	67	18	30-1800	9/16	50	95	79	49	65 1/8	20 1/8	59 1/8	4 1/4	24	100 1/2	7690

\*Maximum dimension for single and two speed through 20 HP; and 25 & 30 HP Flux Vector.  
Additional lifts and speeds available, consult factory.

**Yale reserves the right to make product changes as necessary.**