

SECTION 34

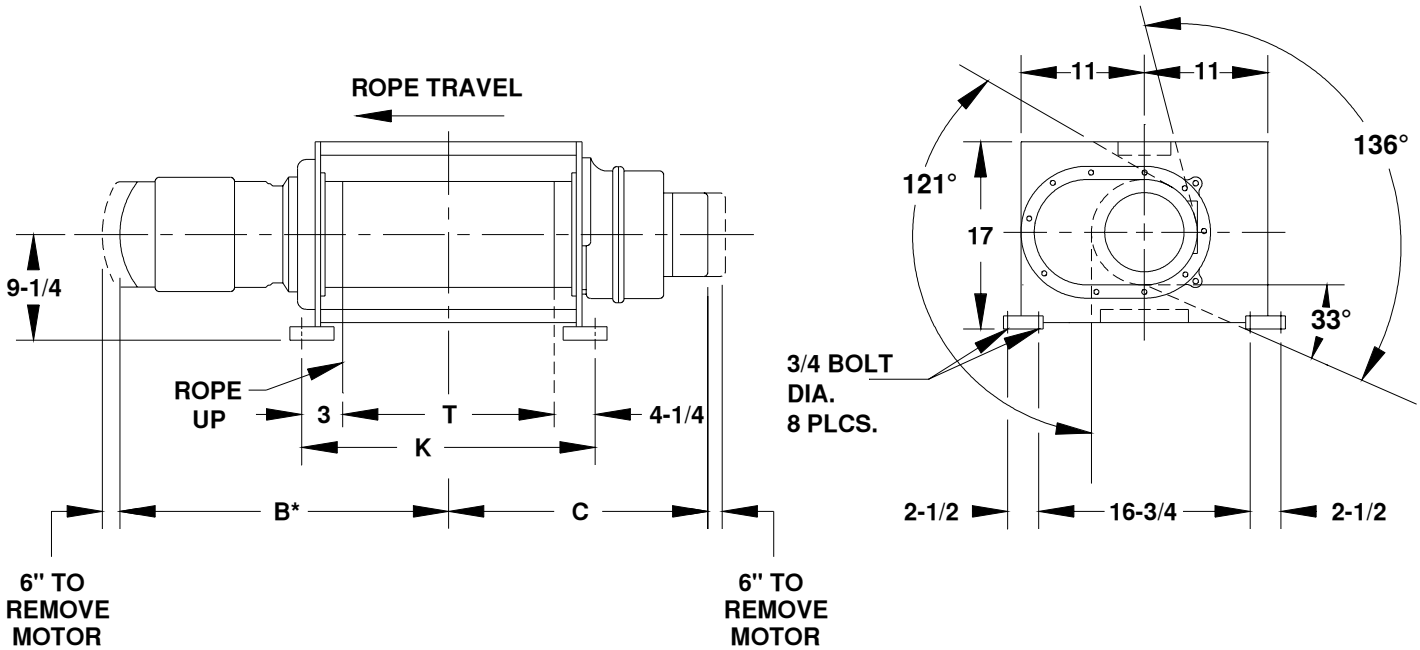
PAGE NO.

Foot Mounted Winch - Single Line

½ Ton	YSWD-2
1 Ton	YSWD-3 - YSWD-4
1½ Ton	YSWD-5 - YSWD-7
2½ Ton	YSWD-8 - YSWD-9
3¾ Ton	YSWD-10 - YSWD-11
5 Ton	YSWD-12 - YSWD-13

Ceiling and Wall Mount - Single Line

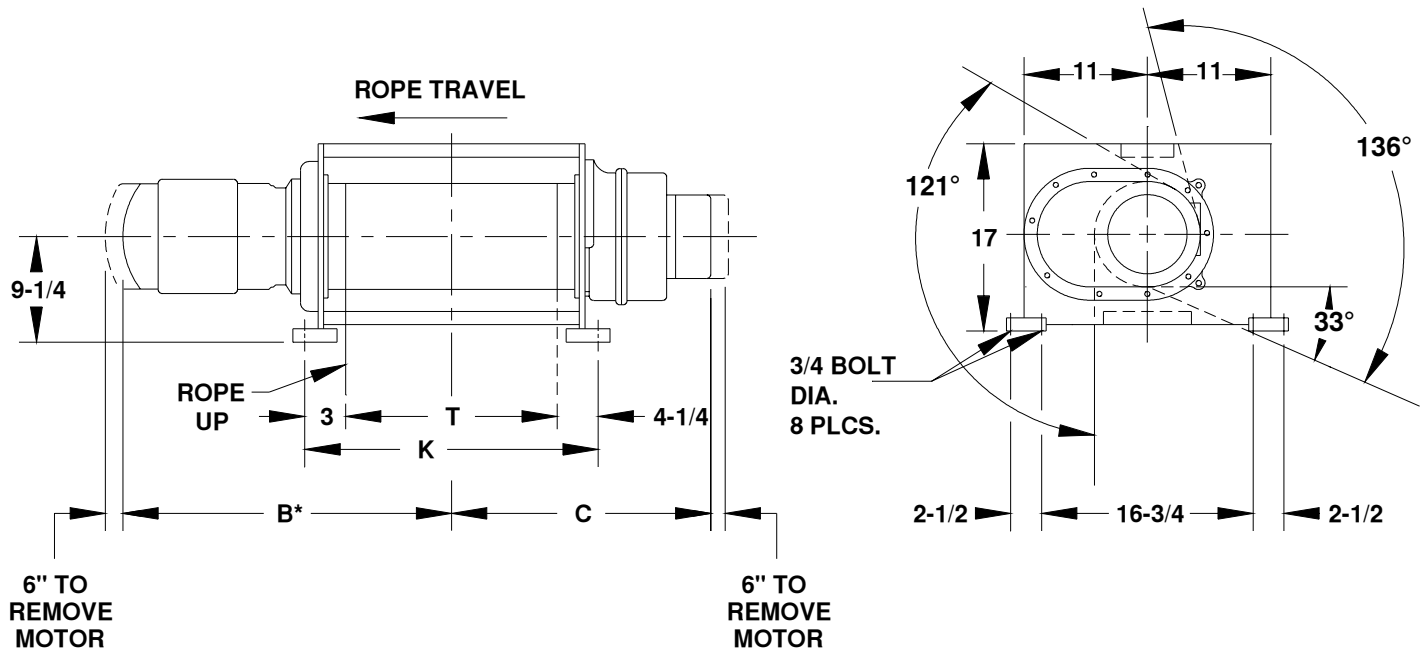
½ Ton	YSWD-14
1 Ton	YSWD-15 - YSWD-16
1½ Ton	YSWD-17 - YSWD-19
2½ Ton	YSWD-20 - YSWD-21
3¾ Ton	YSWD-22 - YSWD-23
5 Ton	YSWD-24 - YSWD-26



Drawing 34-101 .5Ton

Model Number	Lift (ft)	Speed fpm	Motor HP/RPM	Rope Dia.	B*	C	K	T	Wt. lbs
BEW1/2-35FM29S1	35	29	1-1200	1/4	22	20	13 1/4	6	470
BEW1/2-35FM43S1	35	43	1 1/2-1800	1/4	21	20	13 1/4	6	460
BEW1/2-35FM77S1	35	77	3-1800	1/4	21	20	13 1/4	6	480
BEW1/2-65FM29S1	65	29	1-1200	1/4	25	23	18	10 3/4	490
BEW1/2-65FM43S1	65	43	1 1/2-1800	1/4	23	23	18	10 3/4	480
BEW1/2-65FM77S1	65	77	3-1800	1/4	23	23	18	10 3/4	490
BEW1/2-109FM29S1	109	29	1-1200	1/4	28	26	25	17 3/4	510
BEW1/2-109FM43S1	109	43	1 1/2-1800	1/4	27	26	25	17 3/4	500
BEW1/2-109FM77S1	109	77	3-1800	1/4	27	26	25	17 3/4	520
BEW1/2-153FM29S1	153	29	1-1200	1/4	32	30	32	24 3/4	540
BEW1/2-153FM43S1	153	43	1 1/2-1800	1/4	30	30	32	24 3/4	530
BEW1/2-153FM77S1	153	77	3-1800	1/4	30	30	32	24 3/4	550

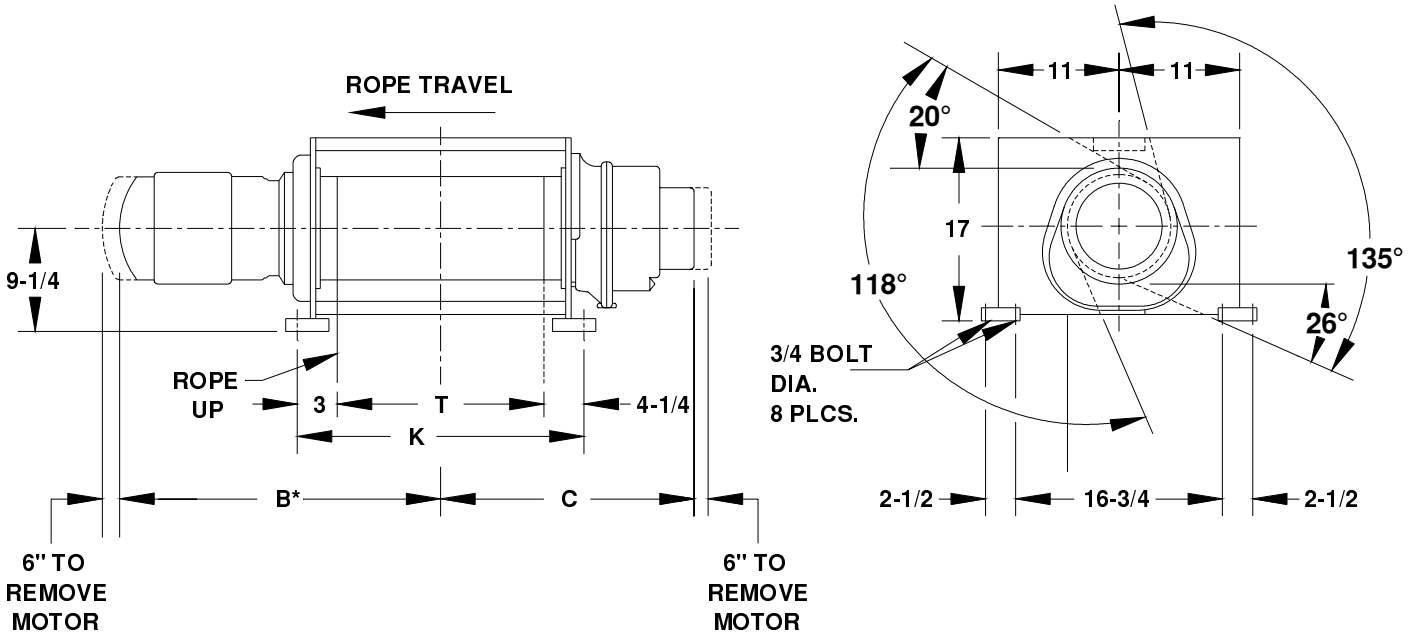
*Maximum dimension for single and two speed hoist.
 Lifts based on standard rope.
 Additional lifts, speeds and non-rotating rope available, consult factory.
 Yale reserves the right to make product changes as necessary.



Drawing 34-101 1Ton

Model Number	Lift (ft)	Speed fpm	Motor HP/RPM	Rope Dia.	B*	C	K	T	Wt. lbs
BEW1-54FM29S1	54	29	2-1200	5/16	25	23	18	10 3/4	480
BEW1-54FM43S1	54	43	3-1800	5/16	23	23	18	10 3/4	490
BEW1-91FM29S1	91	29	2-1200	5/16	28	26	25	17 3/4	510
BEW1-91FM43S1	91	43	3-1800	5/16	27	26	25	17 3/4	520
BEW1-128FM29S1	128	29	2-1200	5/16	32	30	32	24 3/4	540
BEW1-128FM43S1	128	43	3-1800	5/16	30	30	32	24 3/4	540
BEW1-159FM29S1	159	29	2-1200	5/16	35	33	38	30 3/4	560
BEW1-159FM43S1	159	43	3-1800	5/16	33	33	38	30 3/4	570

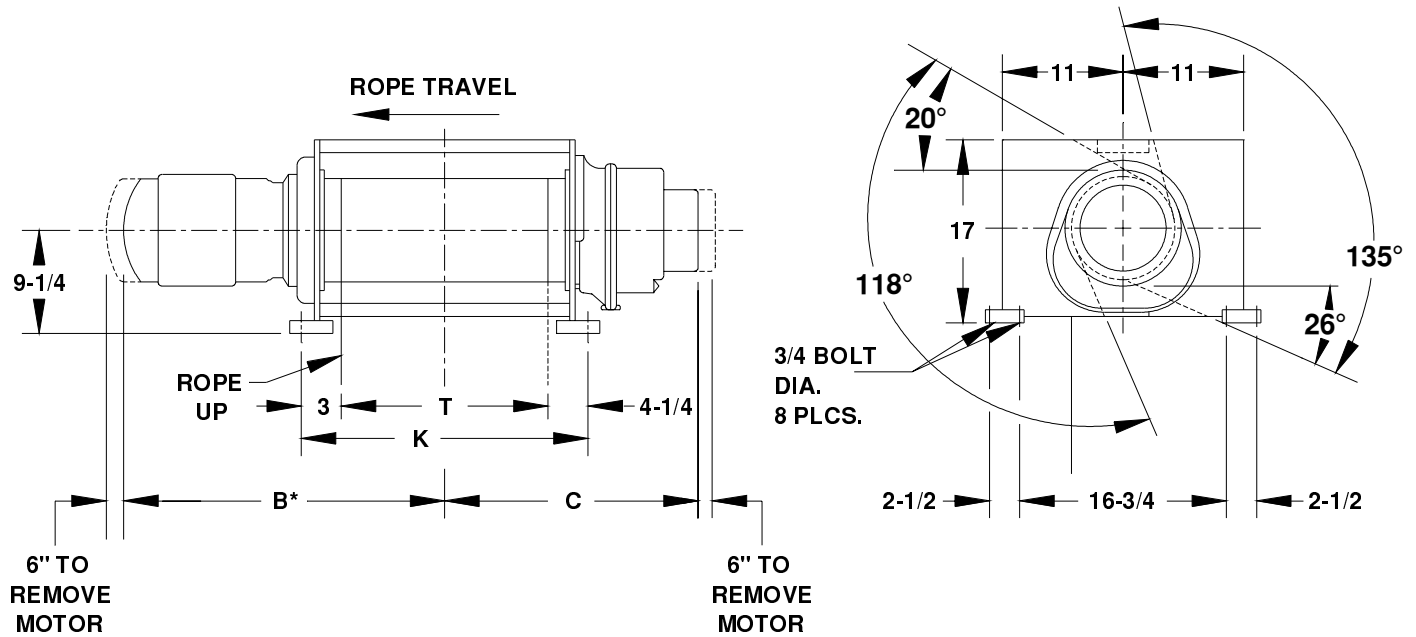
*Maximum dimension for single and two speed hoist.
 Lifts based on standard rope.
 Additional lifts, speeds and non-rotating rope available, consult factory.
Yale reserves the right to make product changes as necessary.



Drawing 34-102 1Ton

Model Number	Lift (ft)	Speed fpm	Motor HP/RPM	Rope Dia.	B*	C	K	T	Wt. lbs
CEW1-103FM74S1	103	74	5-1800	5/16	29	29	24	16 3/4	620
CEW1-147FM74S1	147	74	5-1800	5/16	32	32	31	23 3/4	650
CEW1-185FM74S1	185	74	5-1800	5/16	35	35	37	29 3/4	700
CEW1-229FM74S1	229	74	5-1800	5/16	39	39	44	36 3/4	740

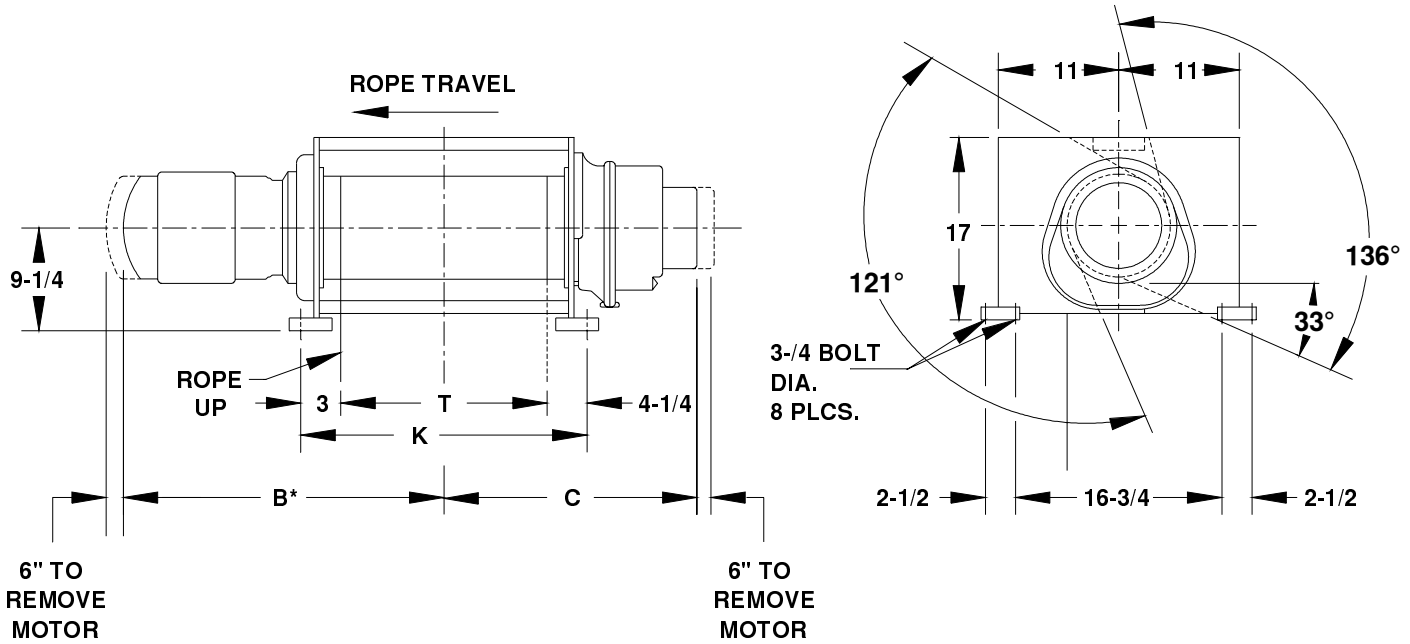
*Maximum dimension for single and two speed hoist.
Lifts based on standard rope.
Additional lifts, speeds and non-rotating rope available, consult factory.
Yale reserves the right to make product changes as necessary.



Drawing 34-102 1.5Ton

Model Number	Lift (ft)	Speed fpm	Motor HP/RPM	Rope Dia.	B*	C	K	T	Wt. lbs
CEW1½-44FM74S1	44	74	7 1/2-1800	7/16	31	26	17 1/2	10 1/4	640
CEW1½-74FM74S1	74	74	7 1/2-1800	7/16	35	29	24	16 3/4	680
CEW1½-106FM74S1	106	74	7 1/2-1800	7/16	38	32	31	23 3/4	730
CEW1½-133FM74S1	133	74	7 1/2-1800	7/16	41	35	37	29 3/4	760

*Maximum dimension for single and two speed hoist.
Lifts based on standard rope.
Additional lifts, speeds and non-rotating rope available, consult factory.
Yale reserves the right to make product changes as necessary.



Drawing 34-103 1.5Ton

Model Number	Lift (ft)	Speed fpm	Motor HP/RPM	Rope Dia.	B*	C	K	T	Wt. lbs
BEW1½X45FM32S1	45	32	3-1200	3/8	28	25	18	10 3/4	530
BEW1½X45FM49S1	45	49	5-1800	3/8	26	25	18	10 3/4	540
BEW1½X76FM32S1	76	32	3-1200	3/8	31	29	25	17 3/4	560
BEW1½X76FM49S1	76	49	5-1800	3/8	29	29	25	17 3/4	570
BEW1½X107FM32S1	107	32	3-1200	3/8	35	32	32	24 3/4	590
BEW1½X107FM49S1	107	49	5-1800	3/8	33	32	32	24 3/4	600
BEW1½X134FM32S1	134	32	3-1200	3/8	38	35	38	30 3/4	610
BEW1½X134FM49S1	134	49	5-1800	3/8	36	35	38	30 3/4	620

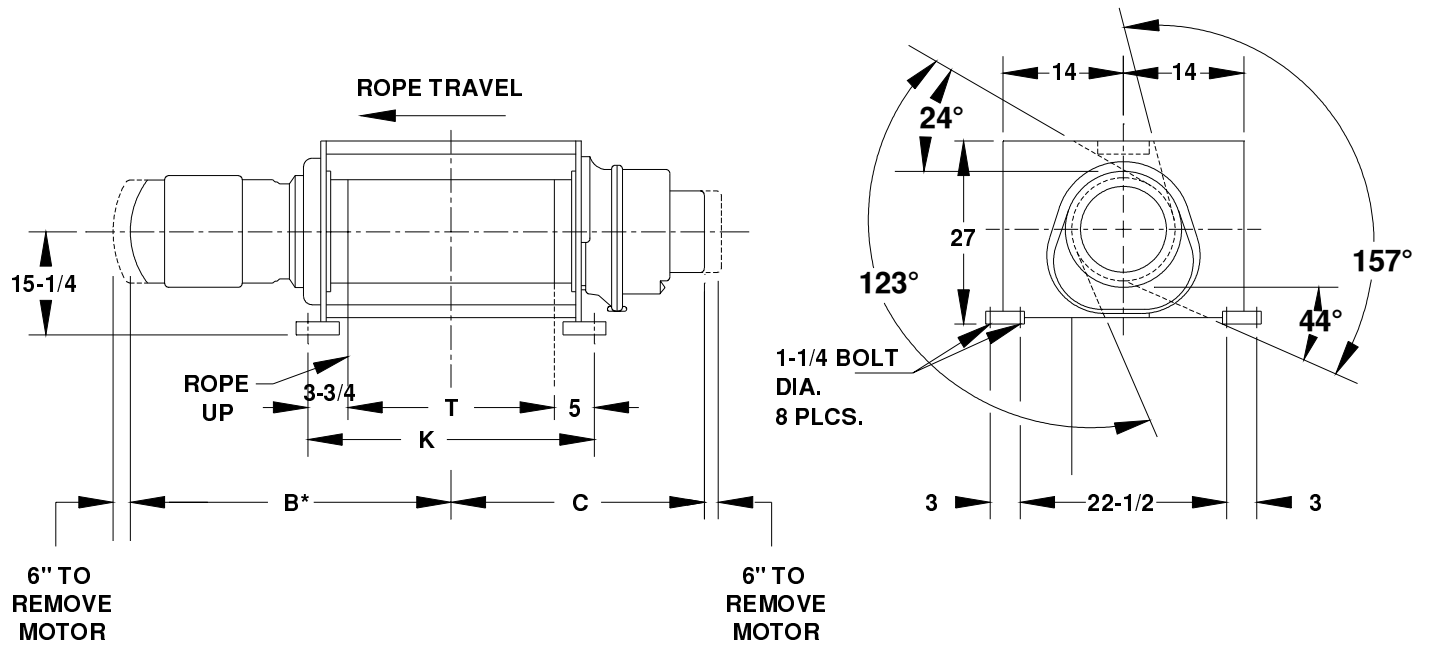
*Maximum dimension for single and two speed hoist.
 Lifts based on standard rope.
 Additional lifts, speeds and non-rotating rope available, consult factory.
Yale reserves the right to make product changes as necessary.

Yale[®]

EW
Electric Wire Rope
H4 Duty Class

FOOT MOUNTED
WINCH
Single Line

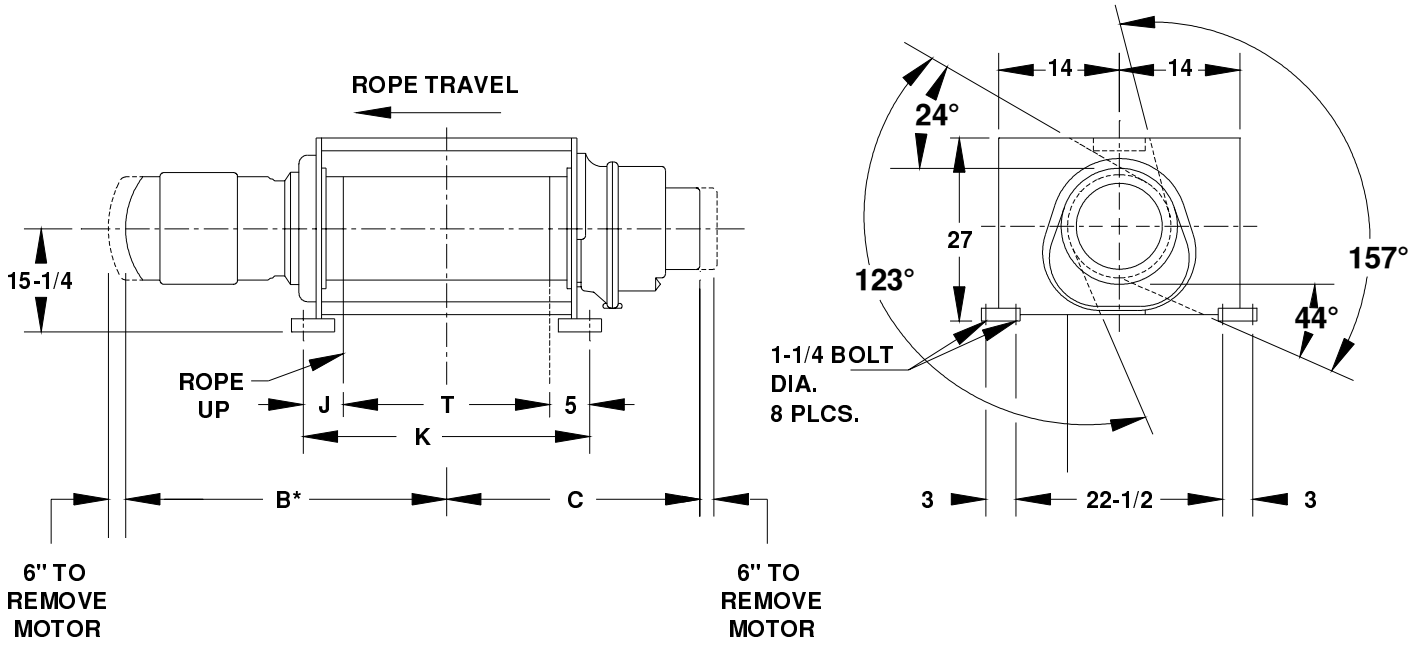
1 1/2 TON



Drawing 34-104 1.5Ton

Model Number	Lift (ft)	Speed fpm	Motor HP/RPM	Rope Dia.	B*	C	K	T	Wt. lbs
DEW1½-97FM91S1	97	91	10-1800	7/16	33	31	25 1/2	16 3/4	1090
DEW1½-139FM91S1	139	91	10-1800	7/16	36	34	32 1/2	23 3/4	1150
DEW1½-175FM91S1	175	91	10-1800	7/16	39	37	38 1/2	29 3/4	2100
DEW1½-217FM91S1	217	91	10-1800	7/16	43	41	45 1/2	36 3/4	1270

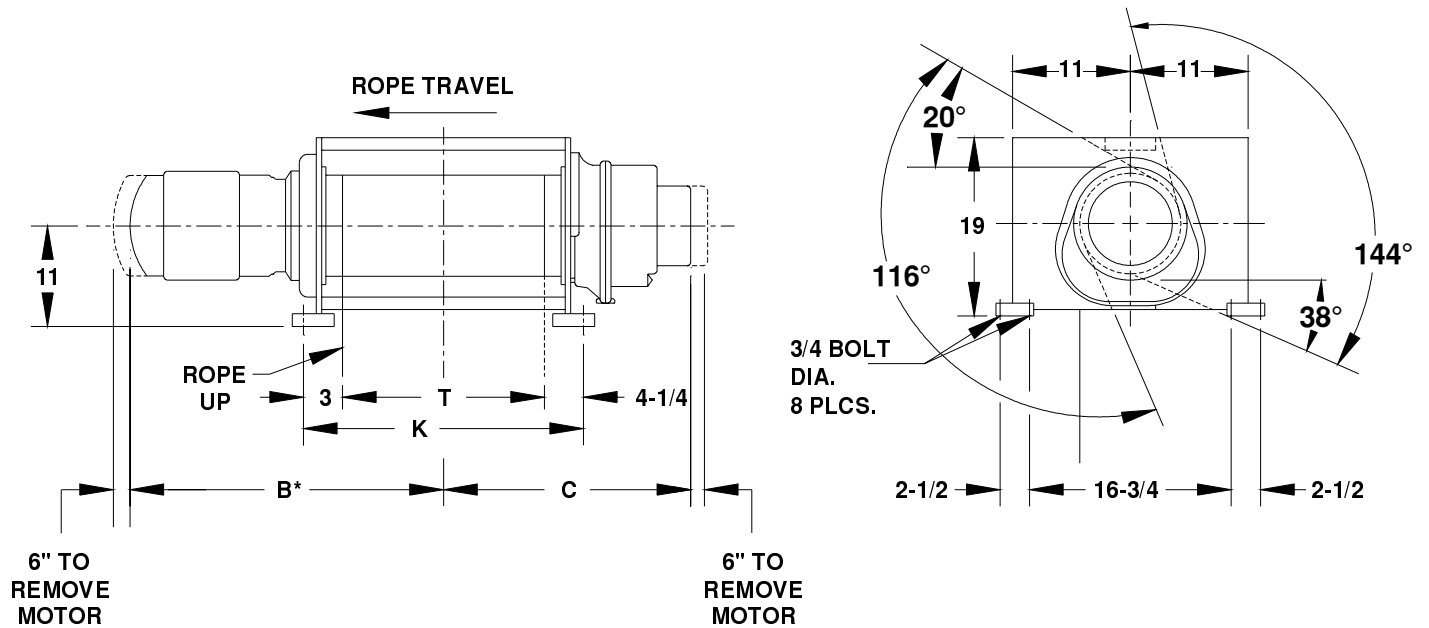
*Maximum dimension for single and two speed hoist.
Lifts based on standard rope.
Additional lifts, speeds and non-rotating rope available, consult factory.
Yale reserves the right to make product changes as necessary.



Drawing 34-104 2.5Ton

Model Number	Lift (ft)	Speed fpm	Motor HP/RPM	Rope Dia.	B*	C	J	K	T	Wt. lbs
DEW2½-52FM63S1	52	63	10-1800	1/2	30	28	3 3/4	19 1/2	10 3/4	1040
DEW2½-84FM63S1	84	63	10-1800	1/2	33	31	3 3/4	25 1/2	16 3/4	1090
DEW2½-120FM63S1	120	63	10-1800	1/2	36	34	3 3/4	32 1/2	23 3/4	1150
EEW2½-136FM100S1	136	100	20-1800	1/2	40	38	4	32 1/2	23 1/2	1810
DEW2½-151 FM63S1	151	63	10-1800	1/2	39	37	3 3/4	38 1/2	29 3/4	1210
EEW2½-172FM100S1	172	100	20-1800	1/2	43	41	4	38 1/2	29 1/2	1890
DEW2½-188FM63S1	188	63	10-1800	1/2	43	41	3 3/4	45 1/2	36 3/4	1280
EEW2½-213FM100S1	213	100	20-1800	1/2	46	44	4	45 1/2	36 1/2	1960
EEW2½-267FM100S1	267	100	20-1800	1/2	51	49	4	54 1/2	45 1/2	2070
EEW2½-338FM100S1	338	100	20-1800	1/2	57	55	4	66 1/2	57 1/2	2200

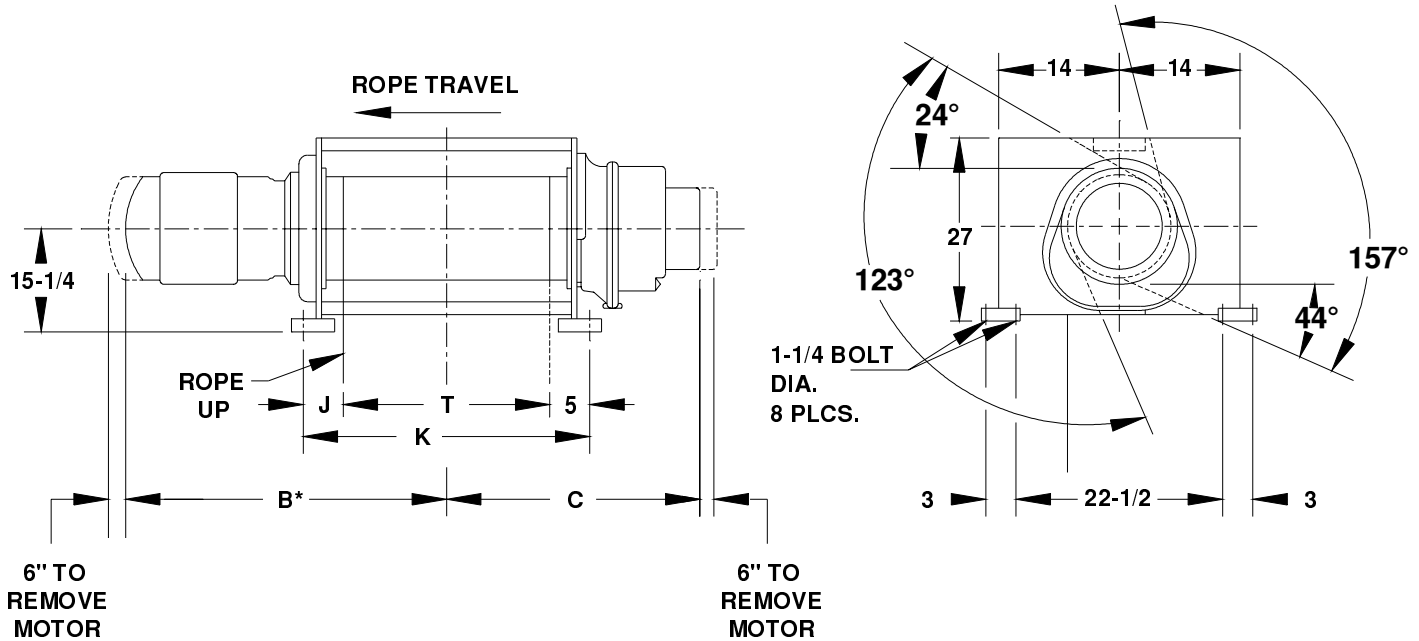
*Maximum dimension for single and two speed hoist.
 Lifts based on standard rope.
 Additional lifts, speeds and non-rotating rope available, consult factory.
Yale reserves the right to make product changes as necessary.



Drawing 34-105 2.5Ton

Model Number	Lift (ft)	Speed fpm	Motor HP/RPM	Rope Dia.	B*	C	K	T	Wt. lbs
CEW2½X38FM31S1	38	31	5-1200	1/2	29	27	17 1/2	10 1/4	650
CEW2½X64FM31S1	64	31	5-1200	1/2	33	30	24	16 3/4	690
CEW2½X91FM31S1	91	31	5-1200	1/2	36	34	31	23 3/4	740
CEW2½X115FM31S1	115	31	5-1200	1/2	39	37	37	29 3/4	770
CEW2½X143FM31S1	143	31	5-1200	1/2	43	40	44	36 3/4	820

*Maximum dimension for single and two speed hoist.
 Lifts based on standard rope.
 Additional lifts, speeds and non-rotating rope available, consult factory.
Yale reserves the right to make product changes as necessary.



Drawing 34-104 3.75Ton

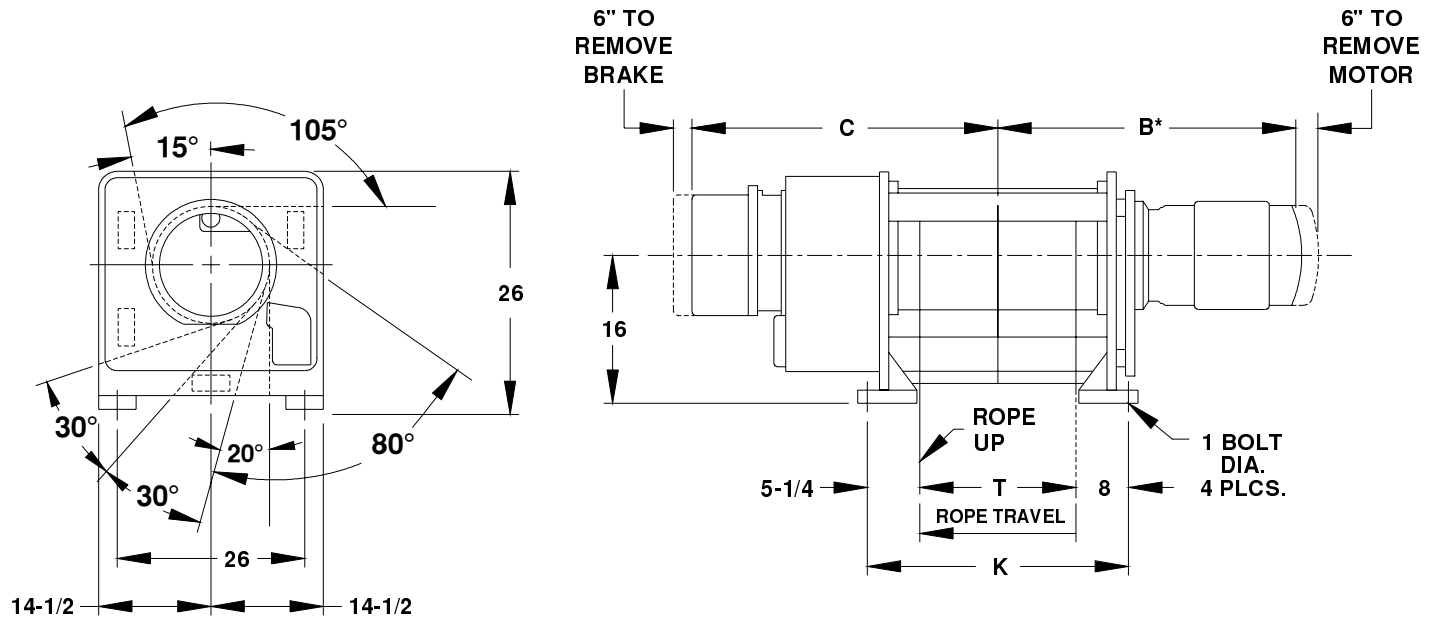
Model Number	Lift (ft)	Speed fpm	Motor HP/RPM	Rope Dia.	B*	C	J	K	T	Wt. lbs
DEW3¼X67FM28S1	67	28	7 1/2-1200	5/8	34	34	3 3/4	25 1/2	16 3/4	1330
DEW3¼X67FM43S1	67	43	12-1800	5/8	34	34	3 3/4	25 1/2	16 3/4	1380
EEW3¼-75FM75S1	75	75	20-1800	5/8	37	34	4	25 1/2	16 1/2	1730
DEW3¼X96FM28S1	96	28	7 1/2-1200	5/8	38	38	3 3/4	32 1/2	23 3/4	1400
DEW3¼X96FM43S1	96	43	12-1800	5/8	38	38	3 3/4	32 1/2	23 3/4	1450
EEW3¼-109FM75S1	109	75	20-1800	5/8	40	38	4	32 1/2	23 1/2	1810
DEW3¼X122FM28S1	122	28	7 1/2-1200	5/8	41	41	3 3/4	38 1/2	29 3/4	1460
DEW3¼X122FM43S1	122	43	12-1800	5/8	41	41	3 3/4	38 1/2	29 3/4	1510
EEW3¼-138FM75S1	138	75	20-1800	5/8	43	41	4	38 1/2	29 1/2	1890
DEW3¼X151FM28S1	151	28	7 1/2-1200	5/8	44	44	3 3/4	45 1/2	36 3/4	1510
DEW3¼X151FM43S1	151	43	12-1800	5/8	44	44	3 3/4	45 1/2	36 3/4	1560
EEW3¼-171FM75S1	171	75	20-1800	5/8	46	44	4	45 1/2	36 1/2	1960
EEW3¼-215FM75S1	215	75	20-1800	5/8	51	49	4	54 1/2	45 1/2	2070

*Maximum dimension for single and two speed hoist through 20 Hp; and 25 & 30 HP wound rotor.

Lifts based on standard rope.

Additional lifts, speeds and non-rotating rope available, consult factory.

Yale reserves the right to make product changes as necessary.



Drawing 34-106 3.75Ton

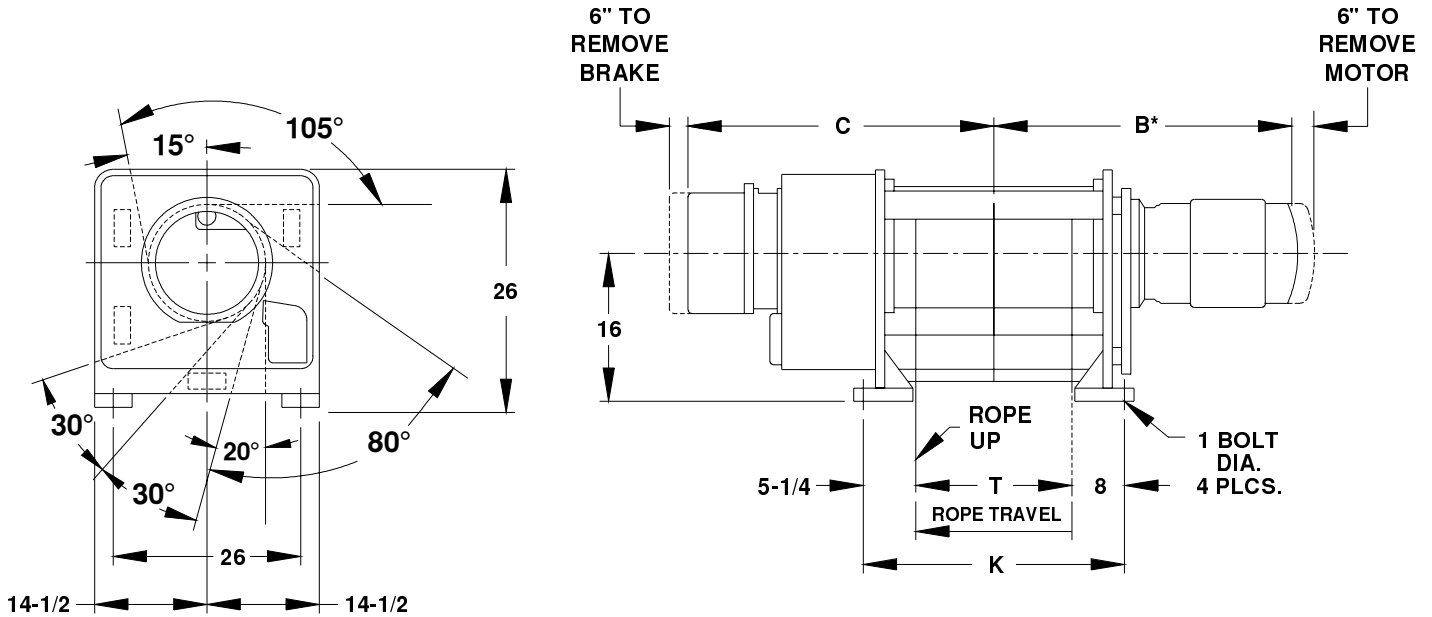
Model Number	Lift (ft)	Speed fpm	Motor HP/RPM	Rope Dia.	B*	C	K	T	Wt. lbs
FEW3 ³ / ₄ -101FM92S1	101	92	25-1800	5/8	55	40	28 1/4	15	2380
FEW3 ³ / ₄ -128FM92S1	128	92	25-1800	5/8	58	43	33 1/4	20	2450
FEW3 ³ / ₄ -160FM92S1	160	92	25-1800	5/8	61	46	39 1/4	26	2520
FEW3 ³ / ₄ -192FM92S1	192	92	25-1800	5/8	64	49	45 1/4	32	2590
FEW3 ³ / ₄ -245FM92S1	245	92	25-1800	5/8	69	54	55 1/4	42	2720

*Maximum dimension for single and two speed hoist through 20 Hp; and 25 & 30 HP wound rotor.

Lifts based on standard rope.

Additional lifts, speeds and non-rotating rope available, consult factory.

Yale reserves the right to make product changes as necessary.



Drawing 34-106 5Ton

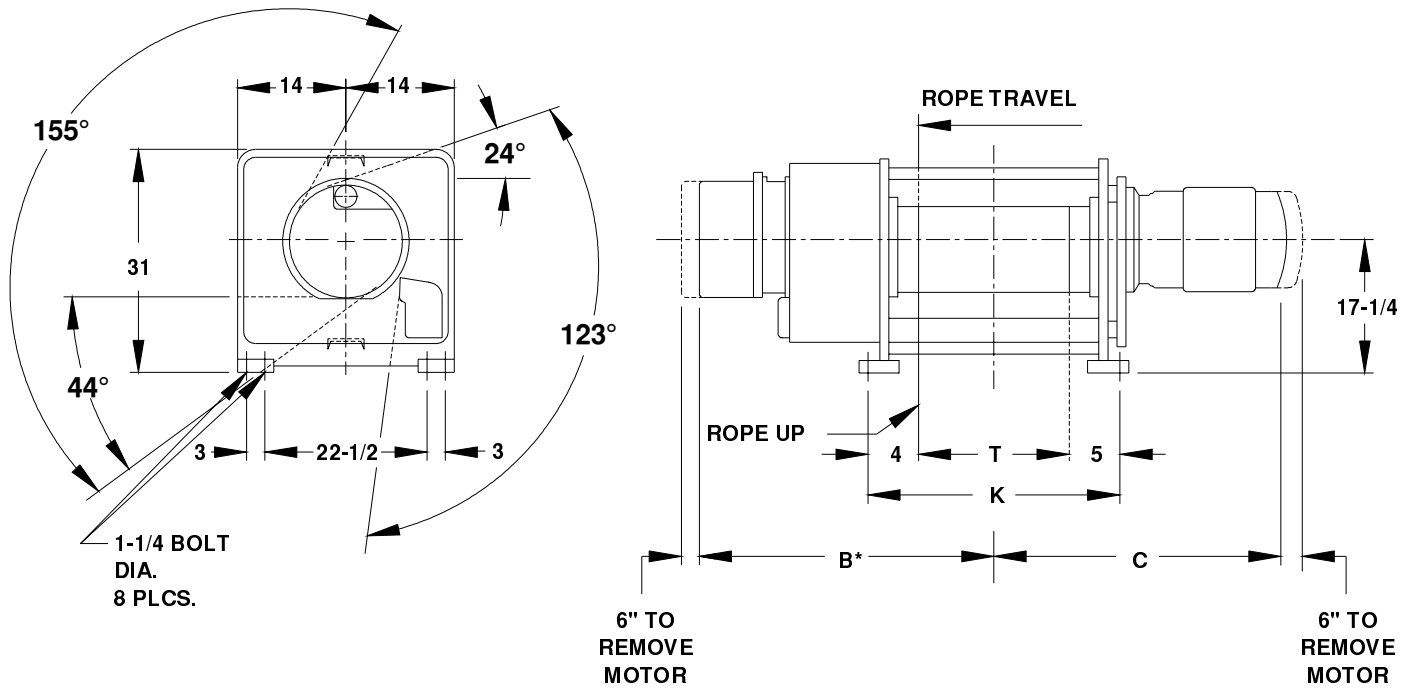
Model Number	Lift (ft)	Speed fpm	Motor HP/RPM	Rope Dia.	B*	C	K	T	Wt. lbs
FEW5-202FM58S1	202	58	20-1800	3/4	54	54	55 1/4	42	2680
FEW5-202FM92S1	202	92	30-1800	3/4	70	54	55 1/4	42	3030
FEW5-290FM58S1	290	58	20-1800	3/4	64	64	75 1/4	62	2930
FEW5-290FM92S1	290	92	30-1800	3/4	80	64	75 1/4	62	3280

*Maximum dimension for single and two speed hoist through 20 Hp; and 25 & 30 HP wound rotor.

Lifts based on standard rope.

Additional lifts, speeds and non-rotating rope available, consult factory.

Yale reserves the right to make product changes as necessary.



Drawing 34-107 5Ton

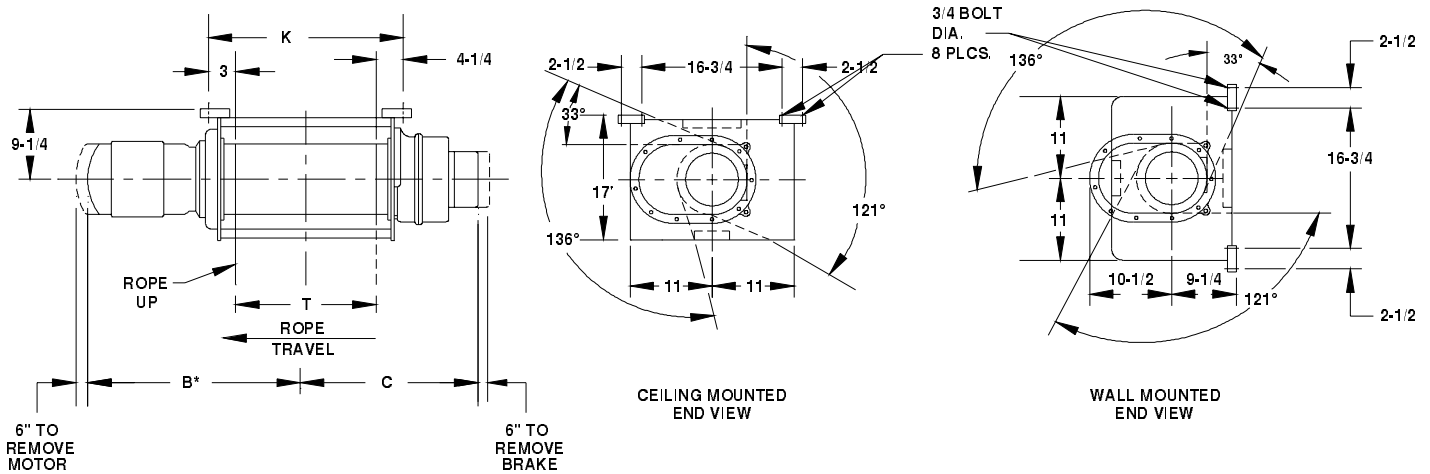
Model Number	Lift (ft)	Speed fpm	Motor HP/RPM	Rope Dia.	B*	C	K	T	Wt. lbs
EEW5X62FM25S1	62	25	10-1200	3/4	38	39	25 1/2	16 1/2	1980
EEW5X62FM38S1	62	38	15-1800	3/4	35	39	25 1/2	16 1/2	1980
EEW5X62FM52S1	62	52	20-1800	3/4	36	39	25 1/2	16 1/2	2170
EEW5X89FM25S1	89	25	10-1200	3/4	42	43	32 1/2	23 1/2	2070
EEW5X89FM38S1	89	38	15-1800	3/4	39	43	32 1/2	23 1/2	2070
EEW5X89FM52S1	89	52	20-1800	3/4	40	43	32 1/2	23 1/2	2260
EEW5X113FM25S1	113	25	10-1200	3/4	45	46	38 1/2	29 1/2	2140
EEW5X113FM38S1	113	38	15-1800	3/4	42	46	38 1/2	29 1/2	2140
EEW5X113FM52S1	113	52	20-1800	3/4	43	46	38 1/2	29 1/2	2330
EEW5X141FM25S1	141	25	10-1200	3/4	48	49	45 1/2	36 1/2	2220
EEW5X141FM38S1	141	38	15-1800	3/4	45	49	45 1/2	36 1/2	2220
EEW5X141FM52S1	141	52	20-1800	3/4	46	49	45 1/2	36 1/2	2410

*Maximum dimension for single and two speed hoist through 20 Hp; and 25 & 30 HP wound rotor.

Lifts based on standard rope.

Additional lifts, speeds and non-rotating rope available, consult factory.

Yale reserves the right to make product changes as necessary.



Drawing 34-108 .5Ton

Model Number	Lift (ft)	Speed fpm	Motor HP/RPM	Rope Dia.	B*	C	K	T	Wt. lbs
BEW1/2-35**29S1	35	29	1-1200	1/4	22	20	13 1/4	6	470
BEW1/2-35**43S1	35	43	1 1/2-1800	1/4	21	20	13 1/4	6	460
BEW1/2-35**77S1	35	77	3-1800	1/4	21	20	13 1/4	6	480
BEW1/2-65**29S1	65	29	1-1200	1/4	25	23	18	10 3/4	490
BEW1/2-65**43S1	65	43	1 1/2-1800	1/4	23	23	18	10 3/4	480
BEW1/2-65**77S1	65	77	3-1800	1/4	23	23	18	10 3/4	490
BEW1/2-109**29S1	109	29	1-1200	1/4	28	26	25	17 3/4	510
BEW1/2-109**43S1	109	43	1 1/2-1800	1/4	27	26	25	17 3/4	500
BEW1/2-109**77S1	109	77	3-1800	1/4	27	26	25	17 3/4	520
BEW1/2-153**29S1	153	29	1-1200	1/4	32	30	32	24 3/4	540
BEW1/2-153**43S1	153	43	1 1/2-1800	1/4	30	30	32	24 3/4	530
BEW1/2-153**77S1	153	77	3-1800	1/4	30	30	32	24 3/4	550

*Maximum dimension for single and two speed hoist.

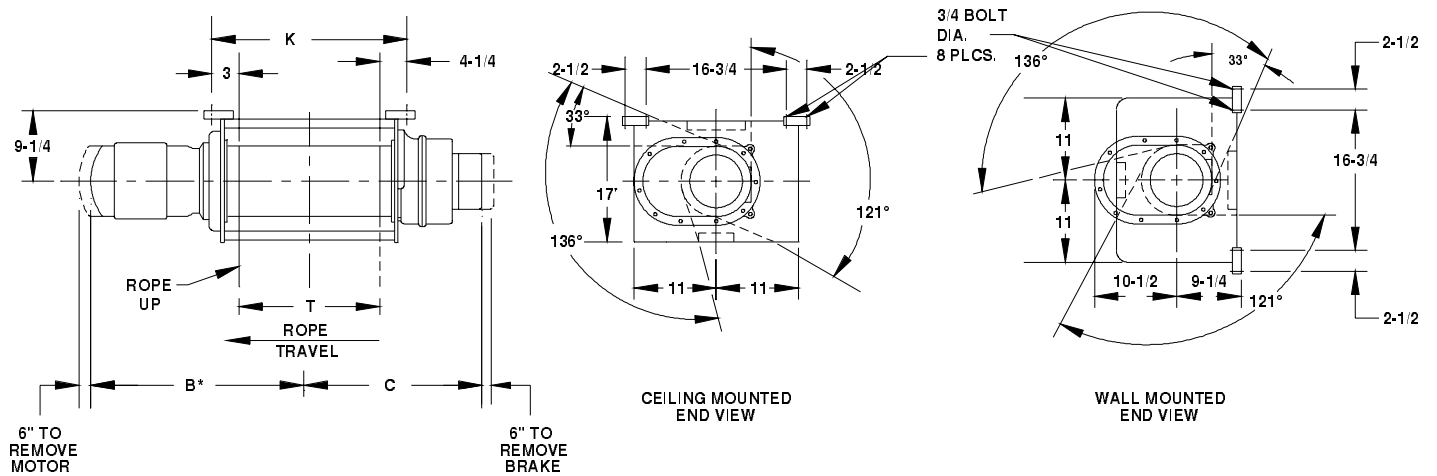
**CM - Ceiling Mounted

**WM - Wall Mounted

Lifts based on standard rope.

Additional lifts, speeds and non-rotating rope available, consult factory.

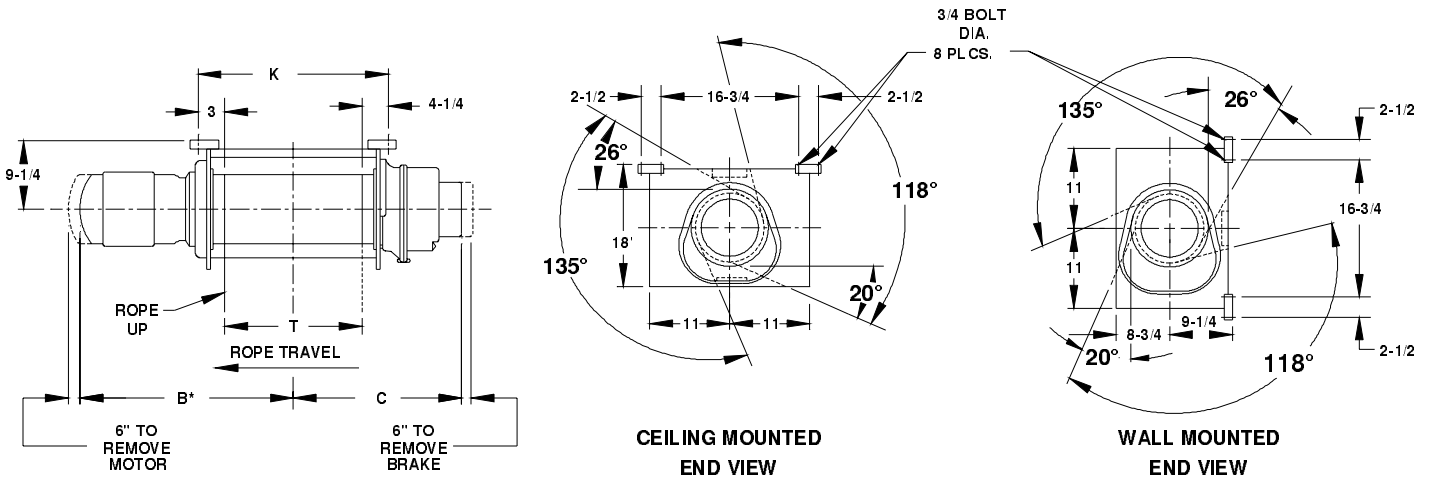
Yale reserves the right to make product changes as necessary.



Drawing 34-108 1Ton

Model Number	Lift (ft)	Speed fpm	Motor HP/RPM	Rope Dia.	B*	C	K	T	Wt. lbs
BEW1-54**29S1	54	29	2-1200	5/16	25	23	18	10 3/4	480
BEW1-54**43S1	54	43	3-1800	5/16	23	23	18	10 3/4	490
BEW1-91**29S1	91	29	2-1200	5/16	28	26	25	17 3/4	510
BEW 1-91**43S1	91	43	3-1800	5/16	27	26	25	17 3/4	520
BEW1-128**29S1	128	29	2-1200	5/16	32	30	32	24 3/4	540
BEW1-128**43S1	128	43	3-1800	5/16	30	30	32	24 3/4	540
BEW1-159**29S1	159	29	2-1200	5/16	35	33	38	30 3/4	560
BEW1-159**43S1	159	43	3-1800	5/16	33	33	38	30 3/4	570

*Maximum dimension for single and two speed hoist.
 **CM - Ceiling Mounted
 **WM - Wall Mounted
 Lifts based on standard rope.
 Additional lifts, speeds and non-rotating rope available, consult factory.
Yale reserves the right to make product changes as necessary.



Drawing 34-109 1Ton

Model Number	Lift (ft)	Speed fpm	Motor HP/RPM	Rope Dia.	B*	C	K	T	Wt. lbs
CEW1-103**74S1	103	74	5-1800	5/16	29	29	24	16 3/4	620
CEW1-147**74S1	147	74	5-1800	5/16	32	32	31	23 3/4	650
CEW1-185**74S1	185	74	5-1800	5/16	35	35	37	29 3/4	700
CEW1-229**74S1	229	74	5-1800	5/16	39	39	44	36 3/4	740

*Maximum dimension for single and two speed hoist.

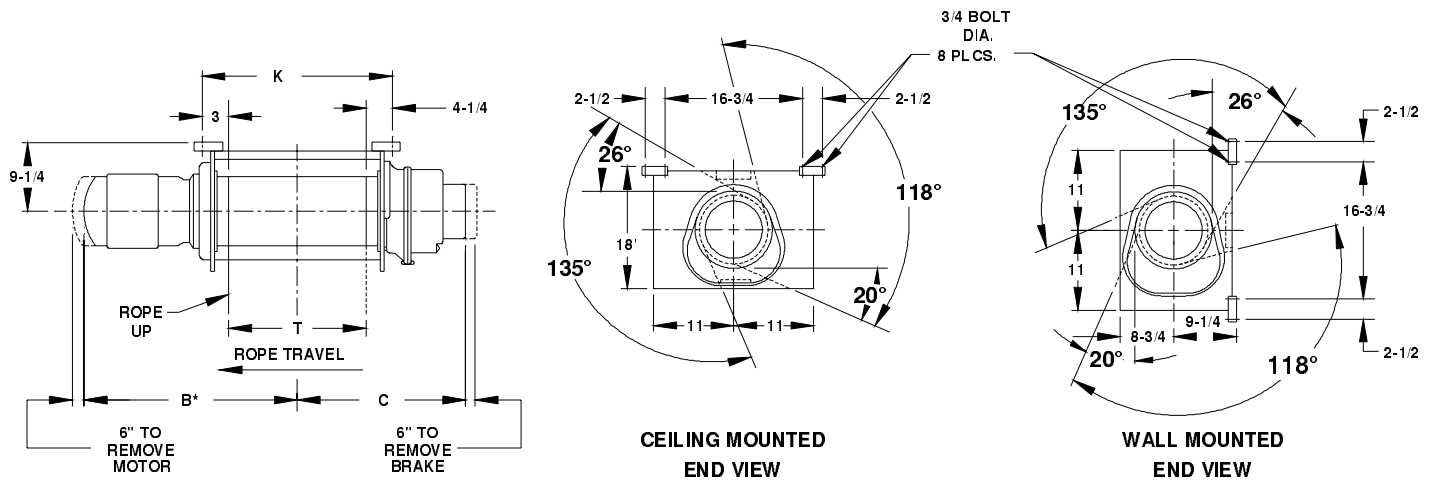
**CM - Ceiling Mounted

**WM - Wall Mounted

Lifts based on standard rope.

Additional lifts, speeds and non-rotating rope available, consult factory.

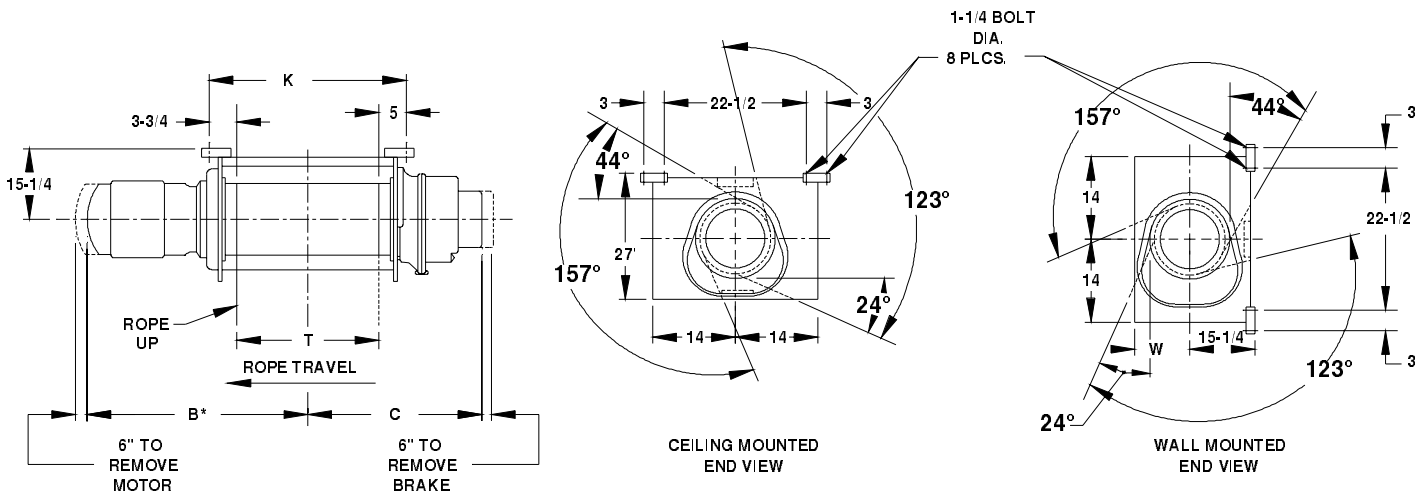
Yale reserves the right to make product changes as necessary.



Drawing 34-109 1.5Ton

Model Number	Lift (ft)	Speed fpm	Motor HP/RPM	Rope Dia.	B*	C	K	T	Wt. lbs
CEW1½-44**74S1	44	74	7 1/2-1800	7/16	31	26	17 1/2	10 1/4	640
CEW1½-74**74S1	74	74	7 1/2-1800	7/16	35	29	24	16 3/4	680
CEW1½-106**74S1	106	74	7 1/2-1800	7/16	38	32	31	23 3/4	730
CEW1½-133**74S1	133	74	7 1/2-1800	7/16	41	35	37	29 3/4	760

*Maximum dimension for single and two speed hoist.
 **CM - Ceiling Mounted
 **WM - Wall Mounted
 Lifts based on standard rope.
 Additional lifts, speeds and non-rotating rope available, consult factory.
Yale reserves the right to make product changes as necessary.



Drawing 34-110 1.5Ton

Model Number	Lift (ft)	Speed fpm	Motor HP/RPM	Rope Dia.	B*	C	K	T	WM W	Wt. lbs
DEW1½-97**91S1	97	91	10-1800	7/16	33	31	25 1/2	16 3/4	8 3/4	1090
DEW1½-139**91S1	139	91	10-1800	7/16	36	34	32 1/2	23 3/4	11	1150
DEW1½-175**91S1	175	91	10-1800	7/16	39	37	38 1/2	29 3/4	11	1200
DEW1½-217**91S1	217	91	10-1800	7/16	43	41	45 1/2	36 3/4	11	1270

*Maximum dimension for single and two speed hoist.

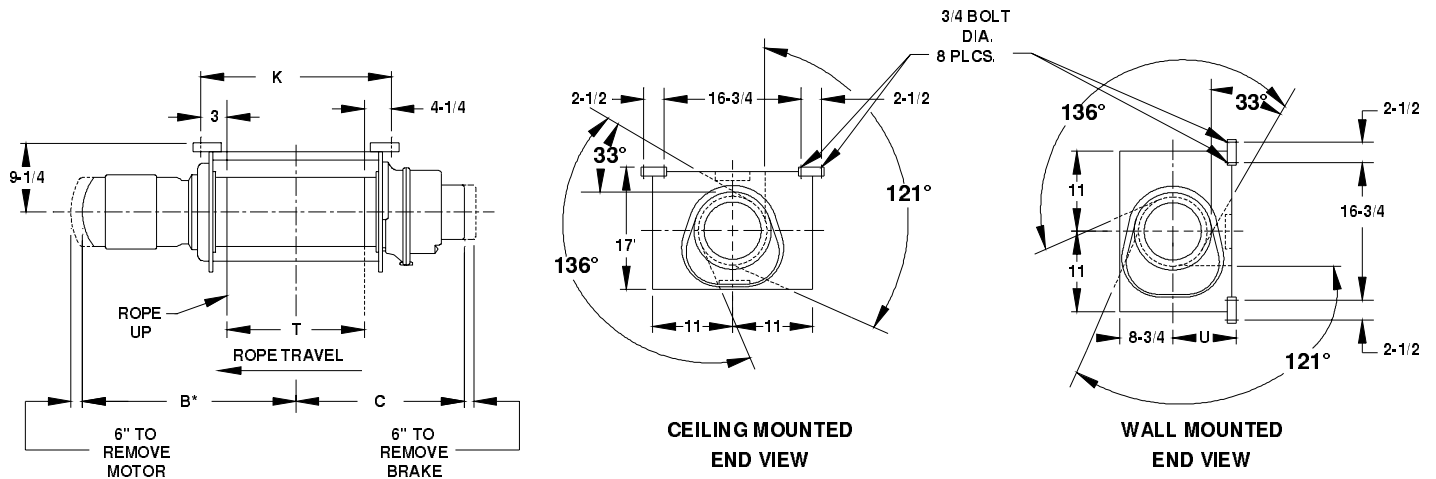
**CM - Ceiling Mounted

**WM - Wall Mounted

Lifts based on standard rope.

Additional lifts, speeds and non-rotating rope available, consult factory.

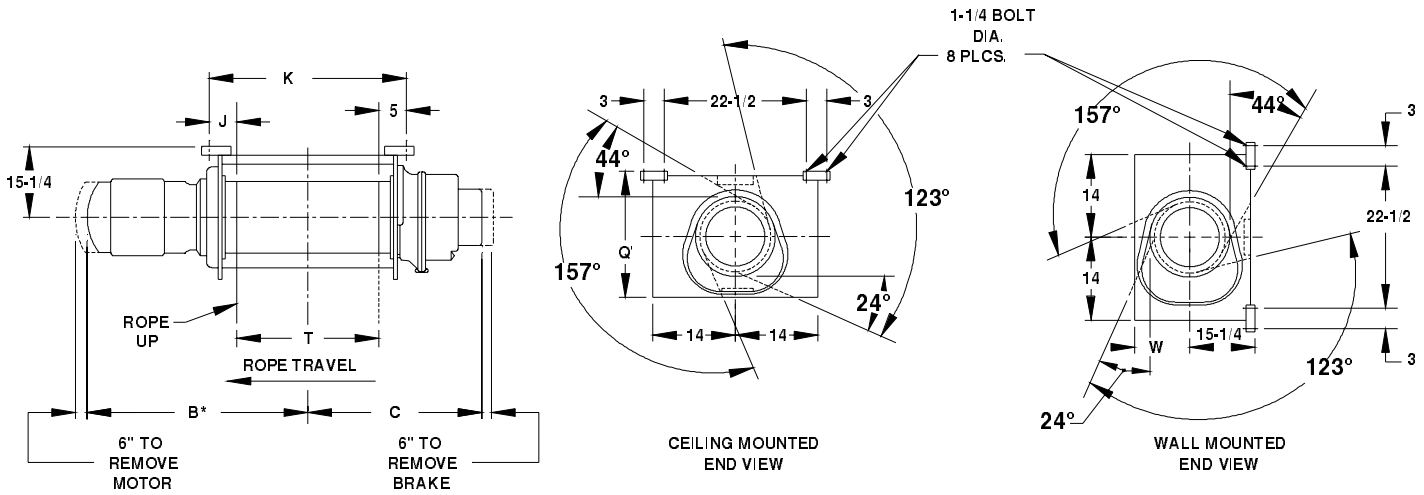
Yale reserves the right to make product changes as necessary.



Drawing 34-111 1.5Ton

Model Number	Lift (ft)	Speed fpm	Motor HP/RPM	Rope Dia.	B*	C	K	T	Wt. lbs
BEW1½X45**3S1	45	32	3-1200	3/8	28	25	18	10 3/4	530
BEW1½X45**49S1	45	49	5-1800	3/8	26	25	18	10 3/4	540
BEW1½X76**32S1	76	32	3-1200	3/8	31	29	25	17 3/4	560
BEW1½X76**49S1	76	49	5-1800	3/8	29	29	25	17 3/4	570
BEW1½X107**32S1	107	32	3-1200	3/8	35	32	32	24 3/4	590
BEW1½X107**49S1	107	49	5-1800	3/8	33	32	32	24 3/4	600
BEW1½X134**32S1	134	32	3-1200	3/8	38	35	38	30 3/4	610
BEW1½X134**49S1	134	49	5-1800	3/8	36	35	38	30 3/4	620

*Maximum dimension for single and two speed hoist.
 **CM - Ceiling Mounted
 **WM - Wall Mounted
 Lifts based on standard rope.
 Additional lifts, speeds and non-rotating rope available, consult factory.
Yale reserves the right to make product changes as necessary.



Drawing 34-110 2.5Ton

Model Number	Lift (ft)	Speed fpm	Motor HP/RPM	Rope Dia.	B*	C	J	K	Q'	T	WM W	Wt. lbs
DEW2½-52**63S1	52	63	10-1800	1/2	30	28	3 3/4	19 1/2	27	10 3/4	11	1040
DEW2½-84**63S1	84	63	10-1800	1/2	33	31	3 3/4	25 1/2	27	16 3/4	11	1090
DEW2½-120**63S1	120	63	10 1800	1/2	36	34	3 3/4	32 1/2	27	23 3/4	11	1150
EEW2½-136**100S1	136	100	20-1800	1/2	40	38	4	32 1/2	29	23 1/2	12 3/4	1810
DEW2½-151**63S1	151	63	10-1800	1/2	39	37	3 3/4	38 1/2	27	29 3/4	11	1210
EEW2½-172**100S1	172	100	20-1800	1/2	43	41	4	38 1/2	29	29 1/2	12 3/4	1890
DEW2½-188**63S1	188	63	10 1800	1/2	43	41	3 3/4	45 1/2	27	36 3/4	11	1280
EEW2½-213**100S1	213	100	20-1800	1/2	46	44	4	45 1/2	29	36 1/2	12 3/4	1960
EEW2½-267**100S1	267	100	20-1800	1/2	51	49	4	54 1/2	29	45 1/2	12 3/4	2070
EEW2½-338**100S1	338	100	20-1800	1/2	57	55	4	66 1/2	29	57 1/2	12 3/4	2200

*Maximum dimension for single and two speed hoist.

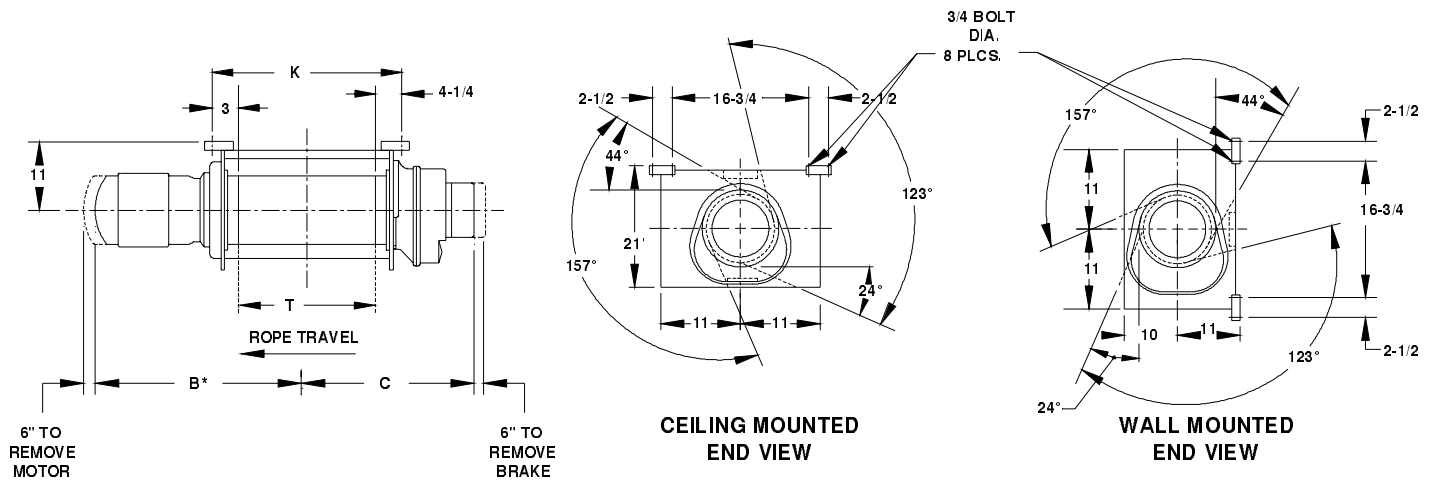
**CM - Ceiling Mounted

**WM - Wall Mounted

Lifts based on standard rope.

Additional lifts, speeds and non-rotating rope available, consult factory.

Yale reserves the right to make product changes as necessary.



Drawing 34-112 2.5Ton

Model Number	Lift (ft)	Speed fpm	Motor HP/RPM	Rope Dia.	B*	C	K	T	Wt. lbs
CEW2½X38**31S1	38	31	5-1200	1/2	29	27	17 1/2	10 1/4	650
CEW2½X64**31S1	64	31	5-1200	1/2	33	30	24	16 3/4	690
CEW2½X91**31S1	91	31	5 1200	1/2	36	34	31	23 3/4	740
CEW2½X115**31S1	115	31	5-1200	1/2	39	37	37	29 3/4	770
CEW2½X143**31S1	143	31	5-1200	1/2	43	40	44	36 3/4	820

*Maximum dimension for single and two speed hoist.

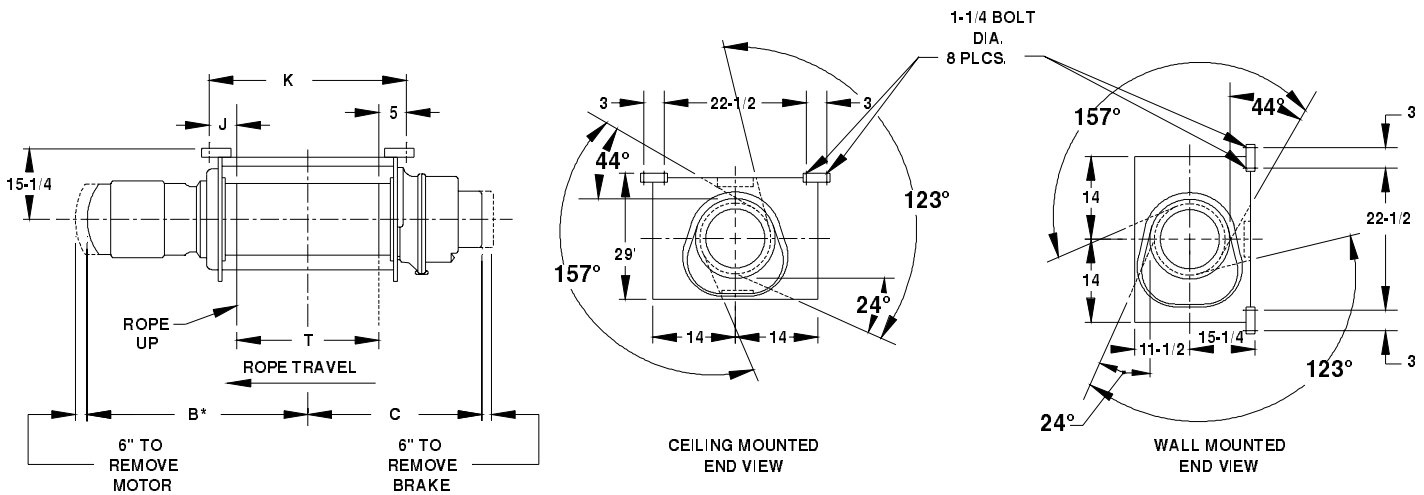
**CM - Ceiling Mounted

**WM - Wall Mounted

Lifts based on standard rope.

Additional lifts, speeds and non-rotating rope available, consult factory.

Yale reserves the right to make product changes as necessary.



Drawing 34-110 3.75Ton

Model Number	Lift (ft)	Speed fpm	Motor HP/RPM	Rope Dia.	B*	C	J	CM K	WM K	T	Wt. lbs
DEW3¼X67**28S1	67	28	7 1/2-1200	5/8	34	34	3 3/4	25 1/2	25 1/2	16 3/4	1330
DEW3¼X67**43S1	67	43	12-1800	5/8	34	34	3 3/4	25 1/2	25 1/2	16 3/4	1380
EEW3¼-75**75S1	75	75	20-1800	5/8	37	34	4	25 1/2	25 1/2	16 1/2	1730
DEW3¼X96**28S1	96	28	7 1/2-1200	5/8	38	38	3 3/4	32 1/2	32 1/2	23 3/4	1400
DEW3¼X96**43S1	96	43	12-1800	5/8	38	38	3 3/4	32 1/2	32 1/2	23 3/4	1450
EEW3¼-109**75S1	109	75	20-1800	5/8	40	38	4	32 1/2	32 1/2	23 1/2	1810
DEW3¼X122**28S1	122	28	7 1/2-1200	5/8	41	41	3 3/4	38 1/2	38 1/2	29 3/4	1460
DEW3¼X122**43S1	122	43	12-1800	5/8	41	41	3 3/4	38 1/2	38 1/2	29 3/4	1510
EEW3¼-138**75S1	138	75	20-1800	5/8	43	41	4	38 1/2	38 1/2	29 1/2	1890
DEW3¼X151**28S1	151	28	7 1/2-1200	5/8	44	44	3 3/4	45 1/2	45 1/2	36 3/4	1510
DEW3¼X151**43S1	151	43	12-1800	5/8	44	44	3 3/4	45 1/2	45 1/2	36 3/4	1560
EEW3¼-171**75S1	171	75	20-1800	5/8	46	44	4	45 1/2	45 1/2	36 1/2	1960
EEW3¼-215**75S1	215	75	20-1800	5/8	51	49	4	54 1/2	54 1/2	45 1/2	2070

*Maximum dimension for single and two speed hoist through 20 HP; and 25 & 30 HP wound rotor.

**CM - Ceiling Mounted

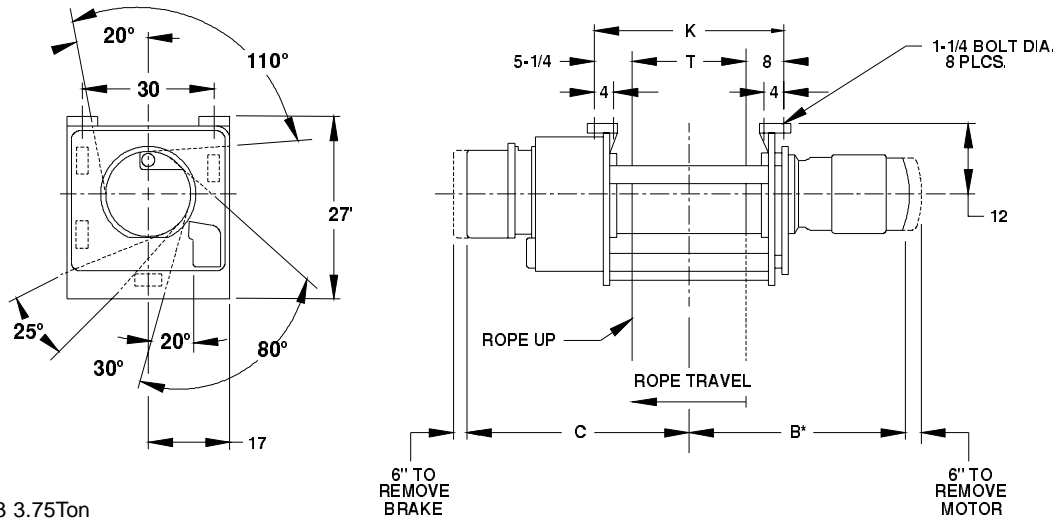
**WM - Wall Mounted

Lifts based on standard rope.

Additional lifts, speeds and non-rotating rope available, consult factory.

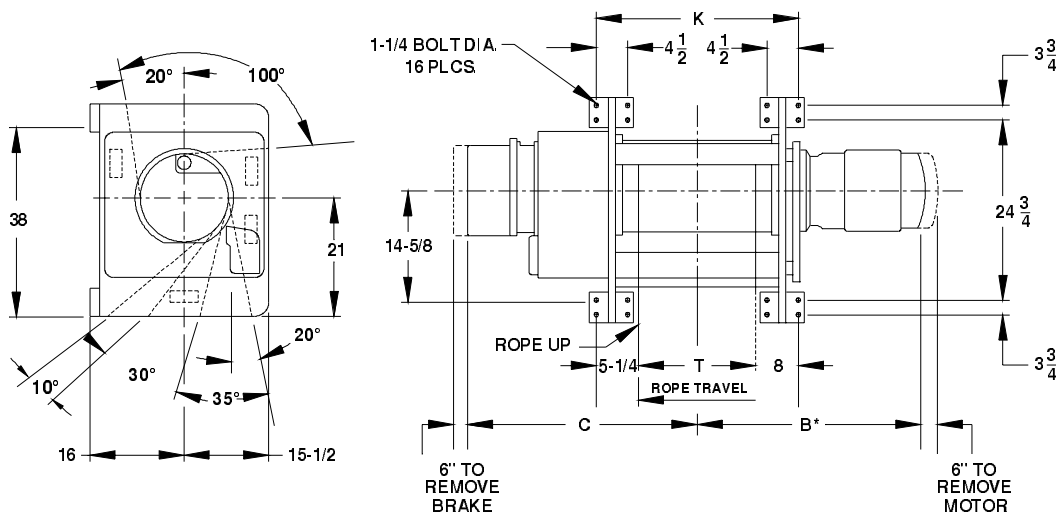
Yale reserves the right to make product changes as necessary.

Ceiling Mount



Drawing 34-113 3.75Ton

Wall Mount



Drawing 34-114 3.75Ton

Model Number	Lift (ft)	Speed fpm	Motor HP/RPM	Rope Dia.	B*	C	CM K	WM K	T	Wt. lbs
FEW3 ³ / ₄ -101**92S1	101	92	25-1800	5/8	55	40	28 1/4	28 3/4	15	2380
FEW3 ³ / ₄ -128**92S1	128	92	25-1800	5/8	58	43	33 1/4	33 3/4	20	2450
FEW3 ³ / ₄ -160**92S1	160	92	25-1800	5/8	61	46	39 1/4	39 3/4	26	2520
FEW3 ³ / ₄ -192**92S1	192	92	25-1800	5/8	64	49	45 1/4	45 3/4	32	2590
FEW3 ³ / ₄ -245**92S1	245	92	25-1800	5/8	69	54	55 1/4	55 3/4	42	2720

*Maximum dimension for single and two speed hoist through 20 HP; and 25 & 30 HP wound rotor.

**CM - Ceiling Mounted

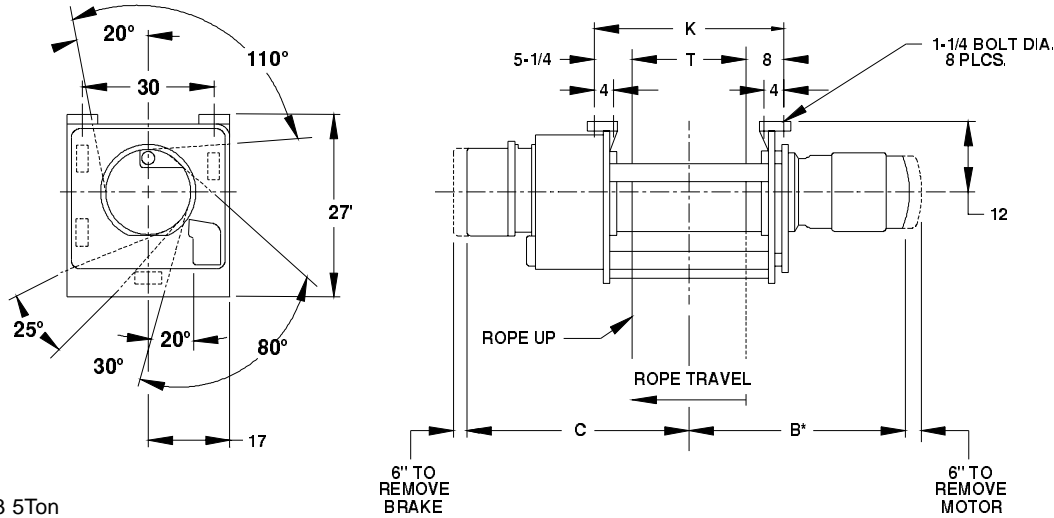
**WM - Wall Mounted

Lifts based on standard rope.

Additional lifts, speeds and non-rotating rope available, consult factory.

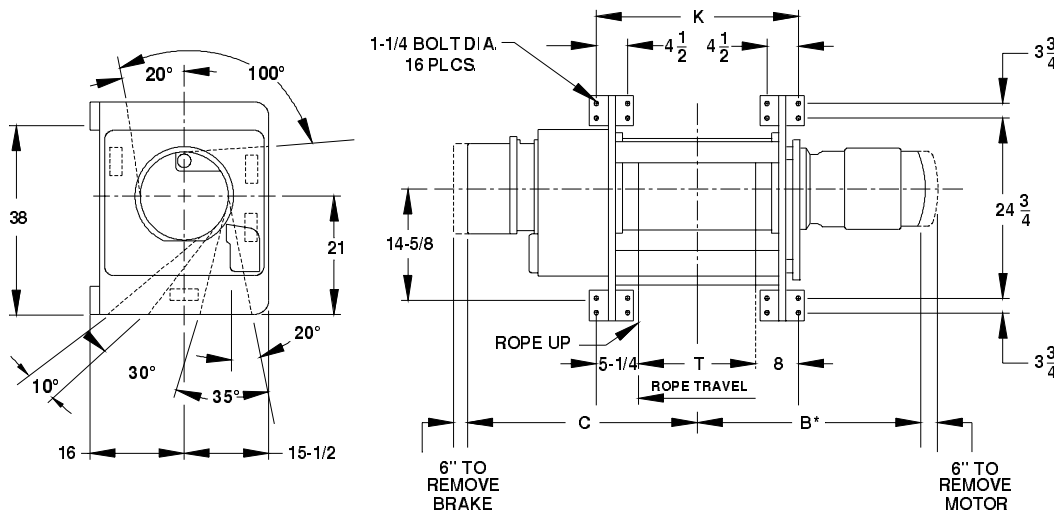
Yale reserves the right to make product changes as necessary.

Ceiling Mount



Drawing 34-113 5Ton

Wall Mount



Drawing 34-114 5Ton

Model Number	Lift (ft)	Speed fpm	Motor HP/RPM	Rope Dia.	B*	C	CM K	WM K	T	Wt. lbs
FEW5-202**58S1	202	58	20-1800	3/4	54	54	55 1/4	55 3/4	42	2680
FEW5-202**92S1	202	92	30-1800	3/4	70	54	55 1/4	55 3/4	42	3030
FEW5-290**58S1	290	58	20-1800	3/4	64	64	75 1/4	75 3/4	62	2930
FEW5-290**92S1	290	92	30-1800	3/4	80	64	75 1/4	75 3/4	62	3280

*Maximum dimension for single and two speed hoist through 20 HP; and 25 & 30 HP wound rotor.

**CM - Ceiling Mounted

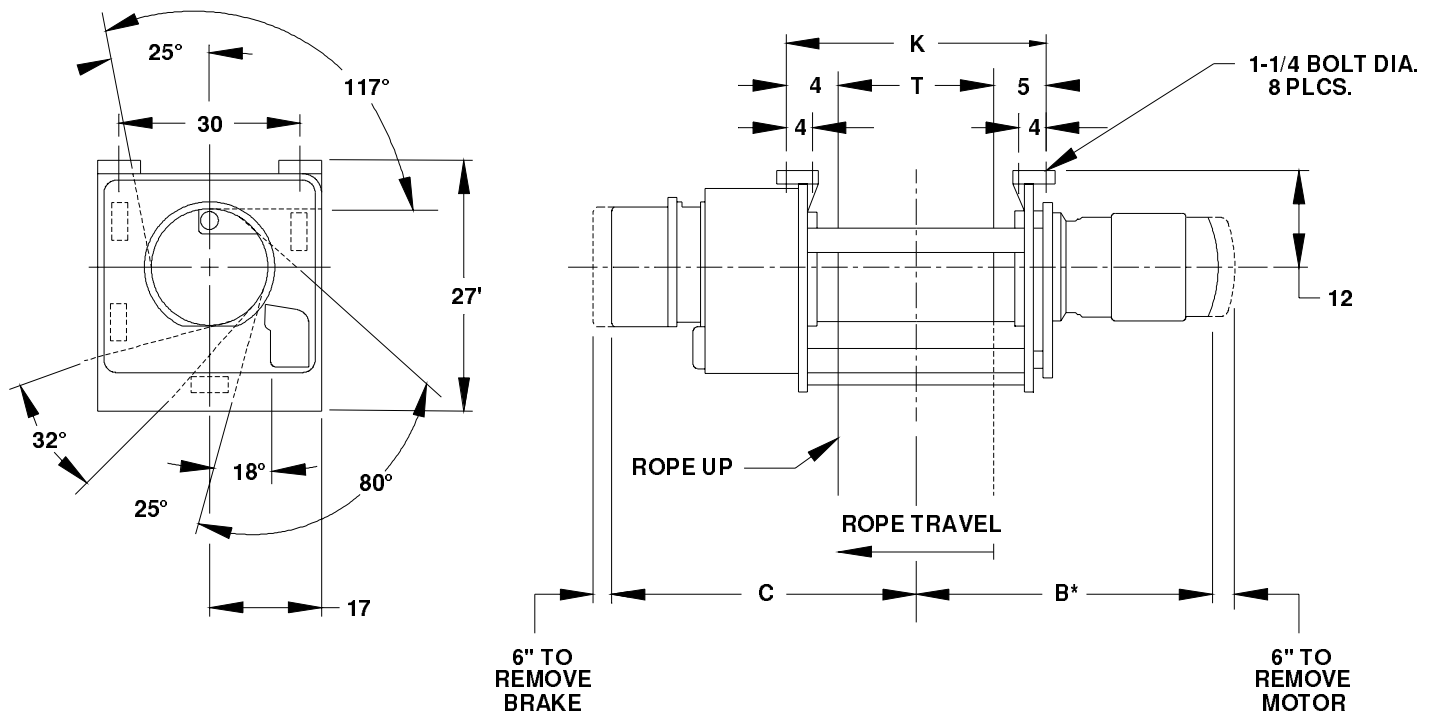
**WM - Wall Mounted

Lifts based on standard rope.

Additional lifts, speeds and non-rotating rope available, consult factory.

Yale reserves the right to make product changes as necessary.

Ceiling Mount



Drawing 34-115 5Ton

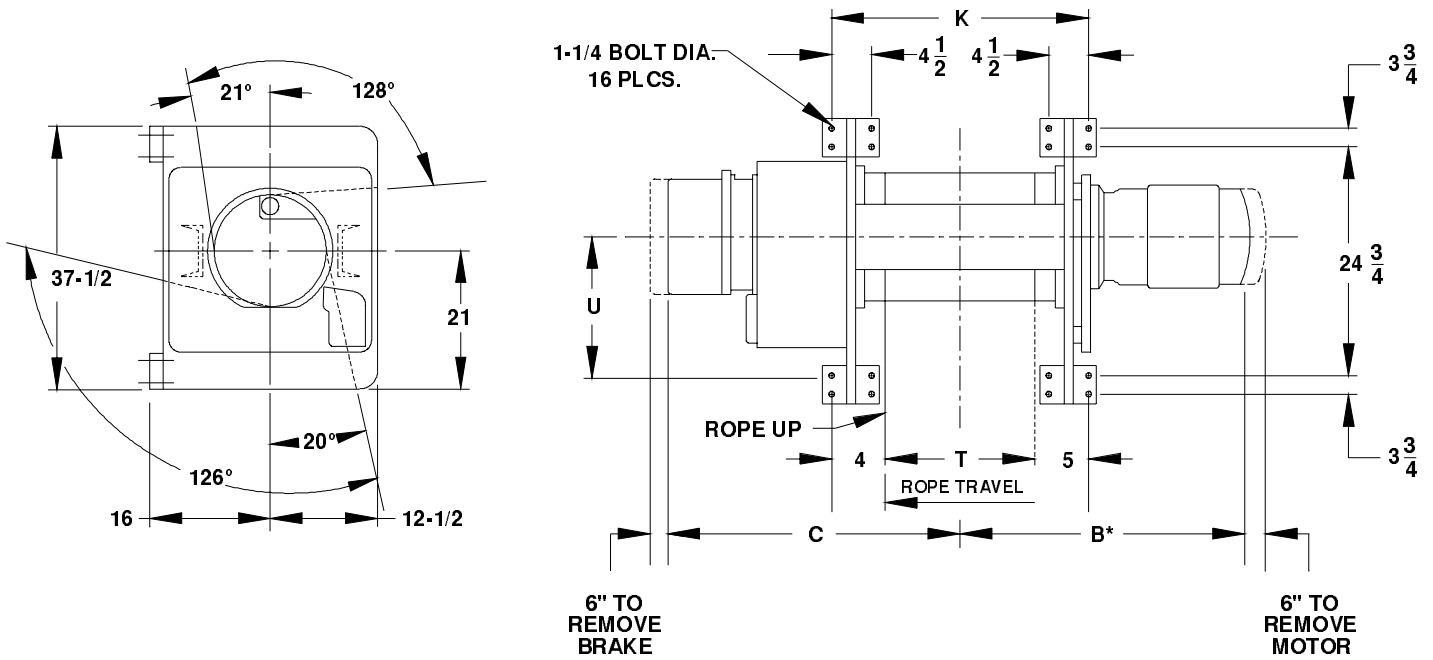
Model Number	Lift (ft)	Speed fpm	Motor HP/RPM	Rope Dia.	B*	C	K	T	Wt. lbs
EEW5X62**25S1	62	25	10-1200	3/4	38	39	25	16 1/2	1980
EEW5X62**38S1	62	38	15-1800	3/4	35	39	25	16 1/2	1980
EEW5X62**52S1	62	52	20-1800	3/4	36	39	25	16 1/2	2170
EEW5X89**25S1	89	25	10-1200	3/4	42	43	32	23 1/2	2070
EEW5X89**38S1	89	38	15-1800	3/4	39	43	32	23 1/2	2070
EEW5X89**52S1	89	52	20-1800	3/4	40	43	32	23 1/2	2260
EEW5X113**25S1	113	25	10-1200	3/4	45	46	38	29 1/2	2140
EEW5X113**38S1	113	38	15-1800	3/4	42	46	38	29 1/2	2140
EEW5X113**52S1	113	52	20-1800	3/4	43	46	38	29 1/2	2330
EEW5X141**25S1	141	25	10-1200	3/4	48	49	45	36 1/2	2220
EEW5X141**38S1	141	38	15-1800	3/4	45	49	45	36 1/2	2220
EEW5X141**52S1	141	52	20-1800	3/4	46	49	45	36 1/2	2410

*Maximum dimension for single and two speed hoist through 20 Hp; and 25 & 30 HP wound rotor. Lifts based on standard rope.

Additional lifts, speeds and non-rotating rope available, consult factory.

Yale reserves the right to make product changes as necessary.

Wall Mount



Drawing 34-116 5Ton

Model Number	Lift (ft)	Speed fpm	Motor HP/RPM	Rope Dia.	B*	C	K	T	Wt. lbs
EEW5X62**25S1	62	25	10-1200	3/4	38	39	25 1/2	16 1/2	1980
EEW5X62**38S1	62	38	15-1800	3/4	35	39	25 1/2	16 1/2	1980
EEW5X62**52S1	62	52	20-1800	3/4	36	39	25 1/2	16 1/2	2170
EEW5X89**25S1	89	25	10-1200	3/4	42	43	32 1/2	23 1/2	2070
EEW5X89**38S1	89	38	15-1800	3/4	39	43	32 1/2	23 1/2	2070
EEW5X89**52S1	89	52	20-1800	3/4	40	43	32 1/2	23 1/2	2260
EEW5X113**25S1	113	25	10-1200	3/4	45	46	38 1/2	29 1/2	2140
EEW5X113**38S1	113	38	15-1800	3/4	42	46	38 1/2	29 1/2	2140
EEW5X113**52S1	113	52	20-1800	3/4	43	46	38 1/2	29 1/2	2330
EEW5X141**25S1	141	25	10-1200	3/4	48	49	45 1/2	36 1/2	2220
EEW5X141**38S1	141	38	15-1800	3/4	45	49	45 1/2	36 1/2	2220
EEW5X141**52S1	141	52	20-1800	3/4	46	49	45 1/2	36 1/2	2410

*Maximum dimension for single and two speed hoist through 20 Hp; and 25 & 30 HP wound rotor.

Lifts based on standard rope.

Additional lifts, speeds and non-rotating rope available, consult factory.

Yale reserves the right to make product changes as necessary.