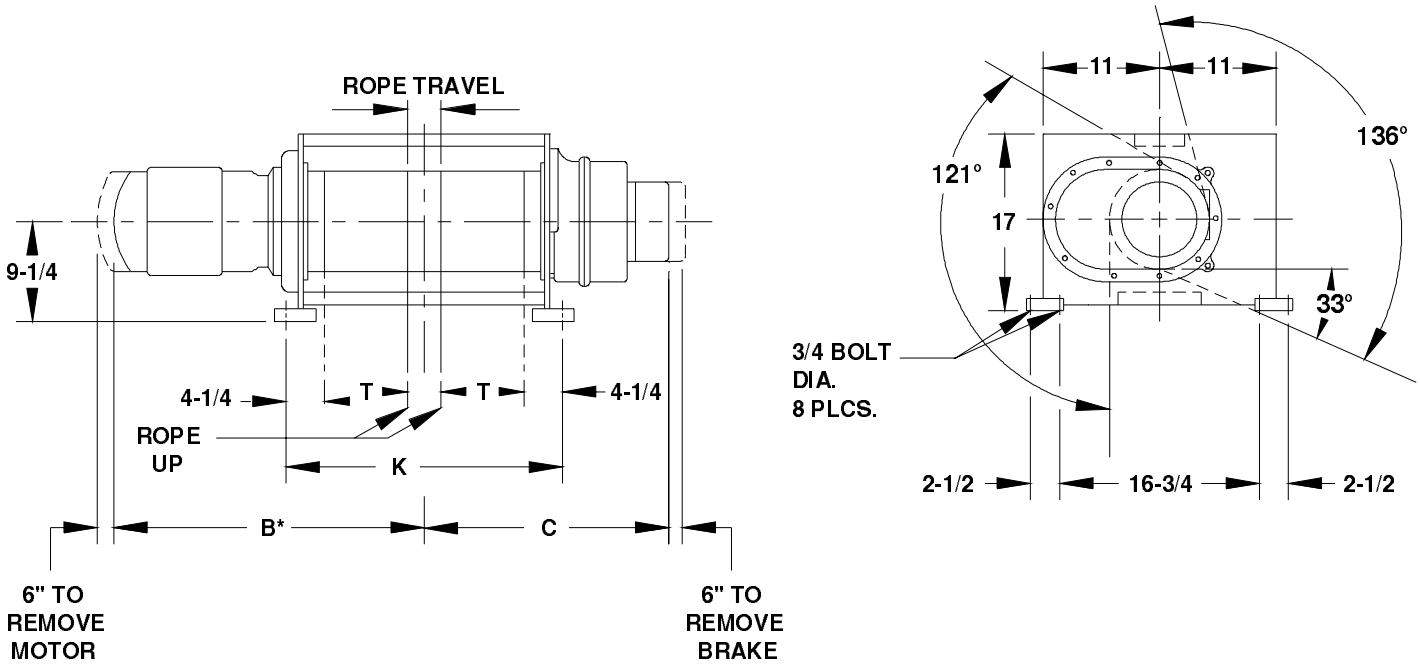


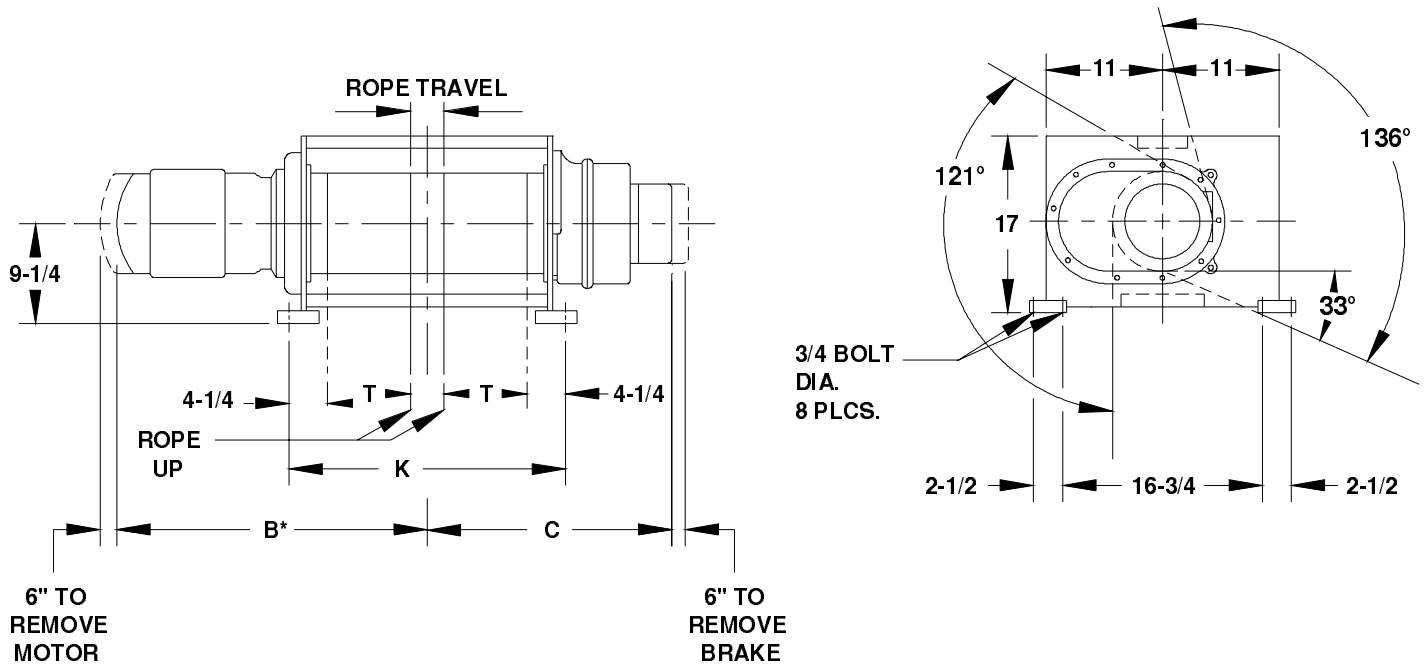
SECTION	PAGE NO.
Foot Mounted Winch - Double Line	
½ Ton	YDWD-2
1 Ton	YDWD-3
1½ Ton	YDWD-4 - YDWD-5
2½ Ton	YDWD-6 - YDWD-7
3¾ Ton	YDWD-8 - YDWD-9
5 Ton	YDWD-10 - YDWD-11
Ceiling and Wall Mount - Double Line	
½ Ton	YDWD-12
1 Ton	YDWD-13
1½ Ton	YDWD-14 - YDWD-15
2½ Ton	YDWD-16 - YDWD-17
3¾ Ton	YDWD-18 - YDWD-19
5 Ton	YDWD-20 - YDWD-22



Drawing 35-101 .5Ton

Model Number	Lift (ft)	Speed fpm	Motor HP/RPM	Rope Dia.	B*	C	K	T	Wt. lbs
BEW1/2-20FM29D1	20	29	1-1200	1/4	25	23	18	3 3/4	490
BEW1/2-20FM43D1	20	43	1 1/2-1800	1/4	23	23	18	3 3/4	480
BEW1/2-42FM29D1	42	29	1-1200	1/4	28	26	25	7 1/4	510
BEW1/2-42FM43D1	42	43	1 1/2-1800	1/4	27	26	25	7 1/4	500
BEW1/2-42FM77D1	42	77	3-1800	1/4	27	26	25	7 1/4	520
BEW1/2-64FM29D1	64	29	1-1200	1/4	32	30	32	10 3/4	540
BEW1/2-64FM43D1	64	43	1 1/2-1800	1/4	30	30	32	10 3/4	530
BEW1/2-64FM77D1	64	77	3-1800	1/4	30	30	32	10 3/4	550

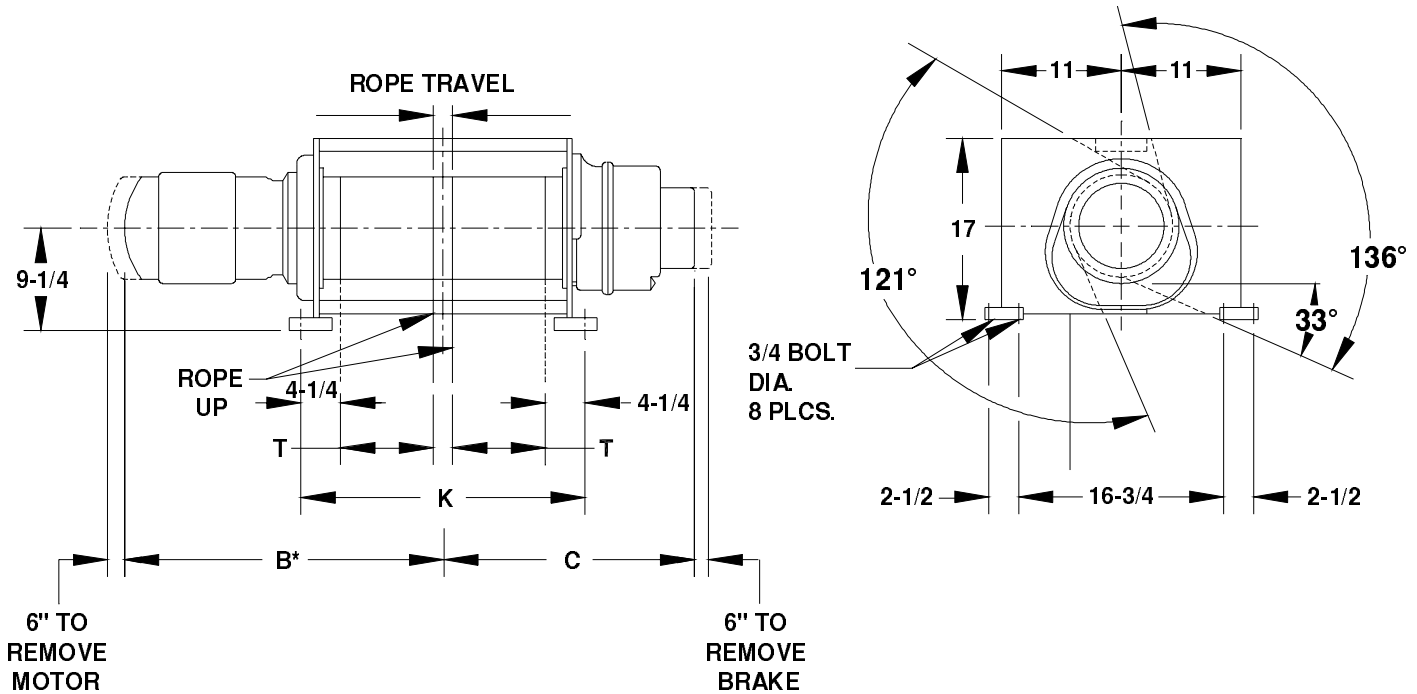
*Maximum dimension for single and two speed hoist.
Lifts based on standard rope.
Additional lifts, speeds and non-rotating rope available, consult factory.
Yale reserves the right to make product changes as necessary.



Drawing 35-101 1Ton

Model Number	Lift (ft)	Speed fpm	Motor HP/RPM	Rope Dia.	B*	C	K	T	Wt. lbs
BEW1-42FM29D1	42	29	2-1200	1/4	28	26	25	7 1/4	510
BEW1-42FM43D1	42	43	3-1800	1/4	27	26	25	7 1/4	520
BEW1-64FM29D1	64	29	2-1200	1/4	32	30	32	10 3/4	540
BEW1-64FM43D1	64	43	3-1800	1/4	30	30	32	10 3/4	540
BEW1-84FM29D1	84	29	2-1200	1/4	35	33	38	13 3/4	560
BEW1-84FM43D1	84	43	3-1800	1/4	33	33	38	13 3/4	570

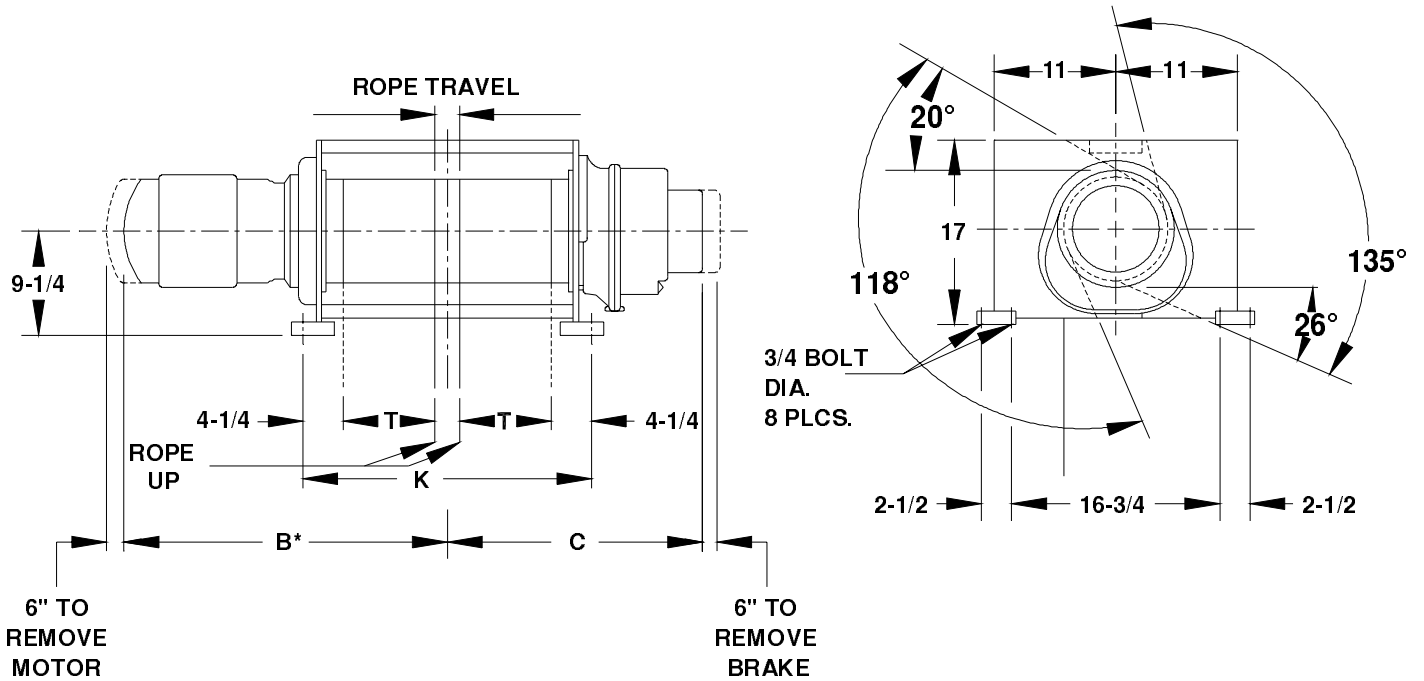
*Maximum dimension for single and two speed hoist.
Lifts based on standard rope.
Additional lifts, speeds and non-rotating rope available, consult factory.
Yale reserves the right to make product changes as necessary.



Drawing 35-102 1.5Ton

Model Number	Lift (ft)	Speed fpm	Motor HP/RPM	Rope Dia.	B*	C	K	T	Wt. lbs
BEW1½X34FM32D1	34	32	3-1200	5/16	31	29	25	7 1/4	560
BEW1½X34FM49D1	34	49	5-1800	5/16	29	29	25	7 1/4	570
BEW1½X52FM32D1	52	32	3-1200	5/16	35	32	32	10 3/4	590
BEW1½X52FM49D1	52	49	5-1800	5/16	33	32	32	10 3/4	600
BEW1½X68FM32D1	68	32	3-1200	5/16	38	35	38	13 3/4	610
BEW1½X68FM49D1	68	49	5-1800	5/16	36	35	38	13 3/4	620
BEW1½X86FM32D1	86	32	3-1200	5/16	41	39	45	17 1/4	630
BEW1½X86FM49D1	86	49	5-1800	5/16	39	39	45	17 1/4	640

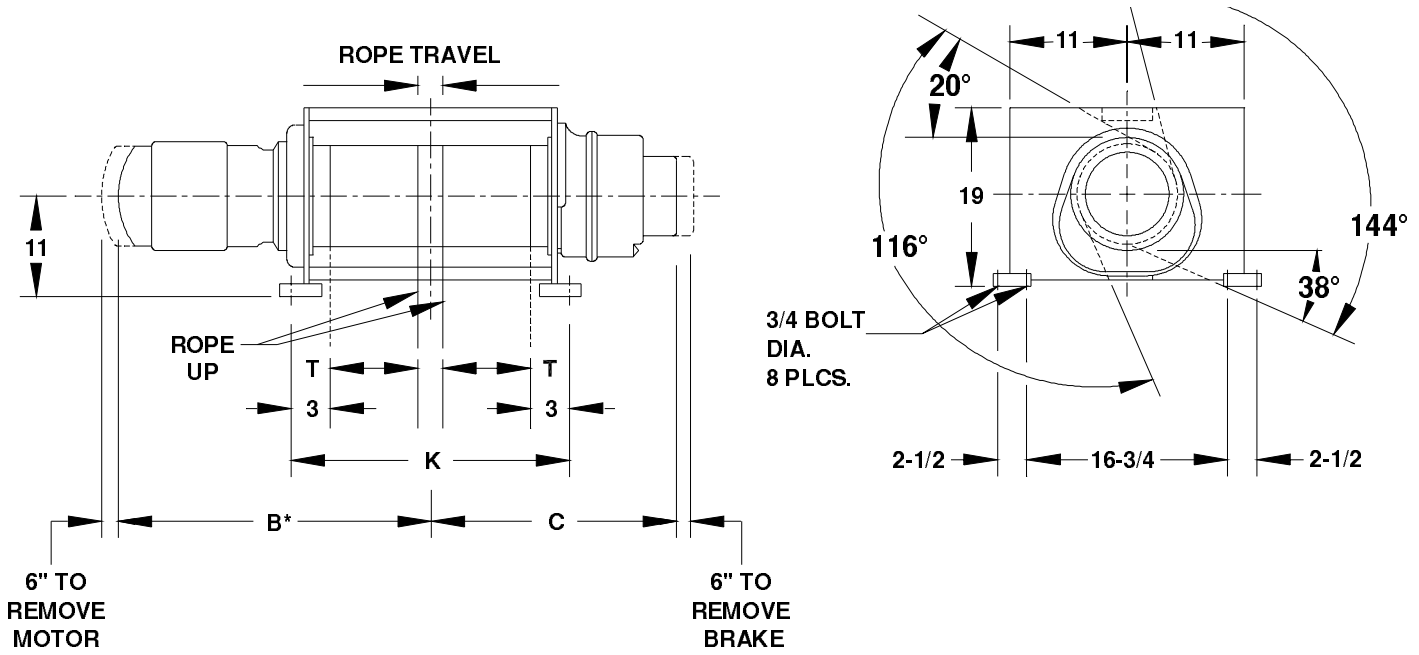
*Maximum dimension for single and two speed hoist.
Lifts based on standard rope.
Additional lifts, speeds and non-rotating rope available, consult factory.
Yale reserves the right to make product changes as necessary.



Drawing 35-103 1.5Ton

Model Number	Lift (ft)	Speed fpm	Motor HP/RPM	Rope Dia.	B*	C	K	T	Wt. lbs
CEW1½-38FM74D1	38	74	7 1/2-1800	5/16	35	29	24	6 3/4	680
CEW1½-60FM74D1	60	74	7 1/2-1800	5/16	38	32	31	10 1/4	730
CEW1½-78FM74D1	78	74	7 1/2-1800	5/16	41	35	37	13 1/4	760
CEW1½-100FM74D1	106	74	7 1/2-1800	5/16	45	39	44	16 3/4	800

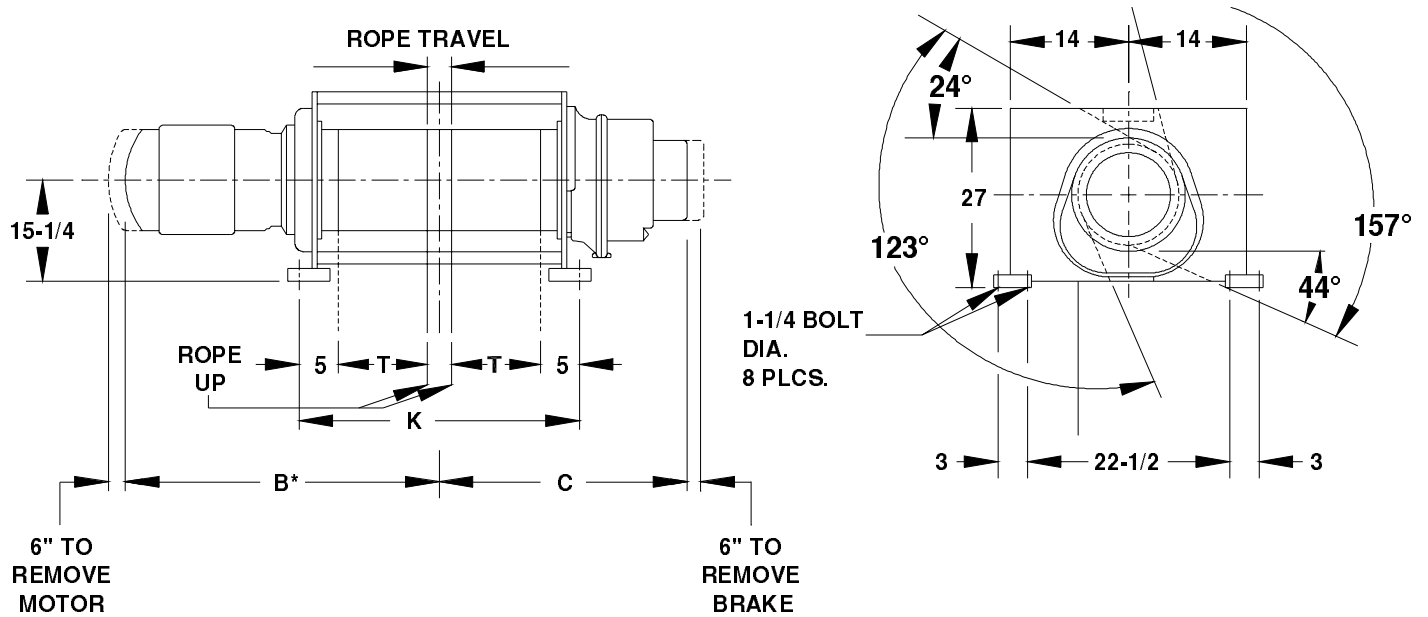
*Maximum dimension for single and two speed hoist.
Lifts based on standard rope.
Additional lifts, speeds and non-rotating rope available, consult factory.
Yale reserves the right to make product changes as necessary.



Drawing 35-104 2.5Ton

Model Number	Lift (ft)	Speed fpm	Motor HP/RPM	Rope Dia.	B*	C	K	T	Wt. lbs
CEW2½X32FM31D1	32	31	5-1200	3/8	33	30	24	6 3/4	690
CEW2½X50FM31D1	50	31	5-1200	3/8	36	34	31	10 1/4	740
CEW2½X66FM31D1	66	31	5-1200	3/8	39	37	37	13 1/4	770
CEW2½X84FM31D1	84	31	5-1200	3/8	43	40	44	16 3/4	820

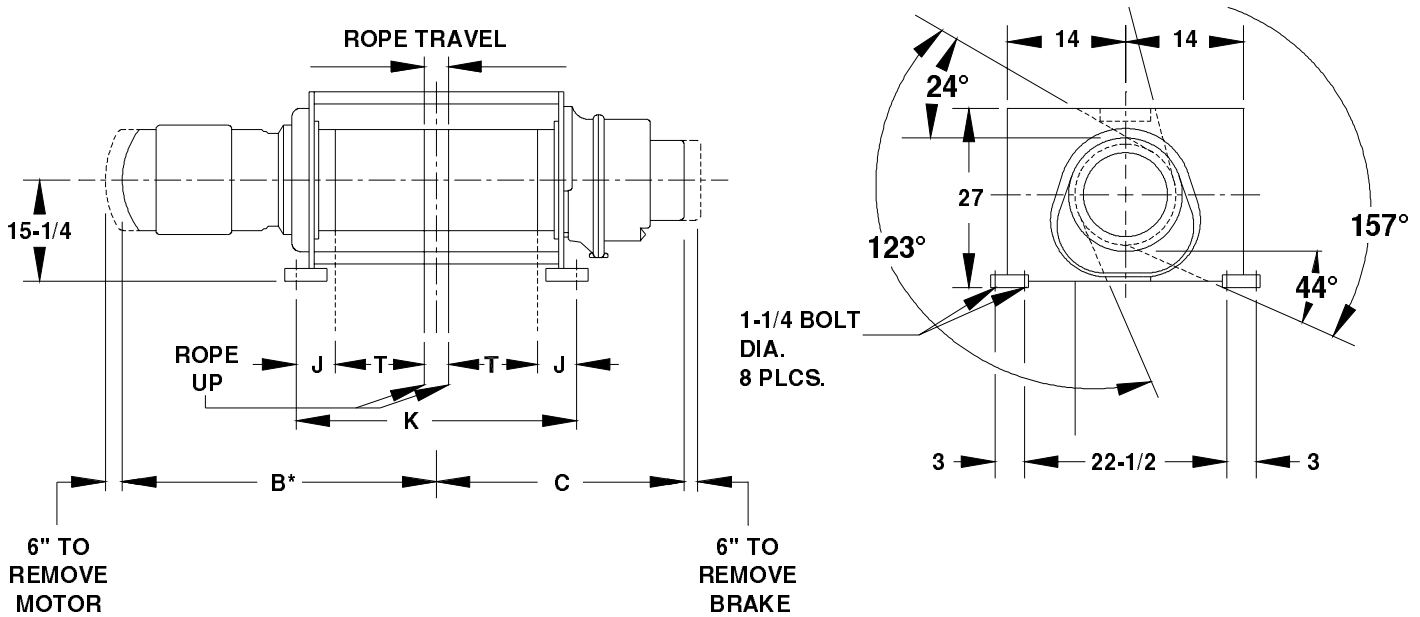
*Maximum dimension for single and two speed hoist.
Lifts based on standard rope.
Additional lifts, speeds and non-rotating rope available, consult factory.
Yale reserves the right to make product changes as necessary.



Drawing 35-105 2.5Ton

Model Number	Lift (ft)	Speed fpm	Motor HP/RPM	Rope Dia.	B*	C	K	T	Wt. lbs
DEW2½-42FM63D1	42	63	10-1800	3/8	33	31	25 1/2	6 3/4	1090
DEW2½-66FM63D1	66	63	10-1800	3/8	36	34	32 1/2	10 1/4	1150
EEW2½-76FM100D1	76	100	20-1800	3/8	40	38	32 1/2	10 1/4	1810
DEW2½-86FM63D1	86	63	10-1800	3/8	39	37	38 1/2	13 1/4	1210
EEW2½-100FM100D1	100	100	20-1800	3/8	43	41	38 1/2	13 1/4	1890
DEW2½-110FM63D1	110	63	10-1800	3/8	43	41	45 1/2	16 3/4	1280
EEW2½-126FM100D1	126	100	20-1800	3/8	46	44	45 1/2	16 3/4	1960
EEW2½-162FM100D1	162	100	20-1800	3/8	51	49	54 1/2	21 1/4	2070

*Maximum dimension for single and two speed hoist.
 Lifts based on standard rope.
 Additional lifts, speeds and non-rotating rope available, consult factory.
Yale reserves the right to make product changes as necessary.



Drawing 35-105 3.75Ton

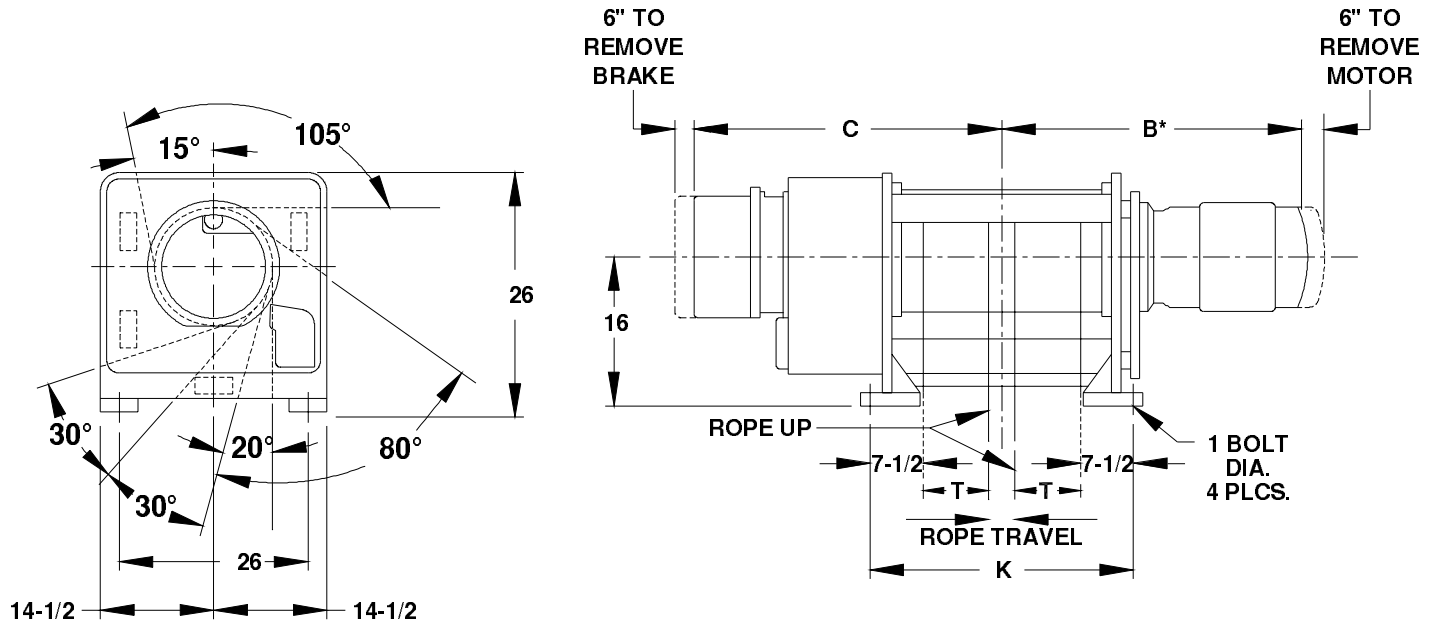
Model Number	Lift (ft)	Speed fpm	Motor HP/RPM	Rope Dia.	B*	C	J	K	T	Wt. lbs
DEW3 ³ / ₄ X56FM28D1	56	28	7 1/2-1200	7/16	38	38	3 3/4	32 1/2	10 1/4	1400
DEW3 ³ / ₄ X56FM43D1	56	43	12-1800	7/16	38	38	3 3/4	32 1/2	10 1/4	1450
EEW3 ³ / ₄ -64FM75D1	64	75	20-1800	7/16	40	38	5	32 1/2	10 1/4	1810
DEW3 ³ / ₄ X74FM28D1	74	28	7 1/2-1200	7/16	41	41	3 3/4	38 1/2	13 1/4	1460
DEW3 ³ / ₄ X74FM43D1	74	43	12-1800	7/16	41	41	3 3/4	38 1/2	13 1/4	1510
EEW3 ³ / ₄ -86FM75D1	86	75	20-1800	7/16	43	41	5	38 1/2	13 1/4	1890
DEW3 ³ / ₄ X94FM28D1	94	28	7 1/2-1200	7/16	44	44	3 3/4	45 1/2	16 3/4	1510
DEW3 ³ / ₄ X94FM43D1	94	43	12-1800	7/16	44	44	3 3/4	45 1/2	16 3/4	1560
EEW3 ³ / ₄ -110FM75D1	110	75	20-1800	7/16	46	44	5	45 1/2	16 3/4	1960
DEW3 ³ / ₄ X122FM28D1	122	28	7 1/2-1200	7/16	49	49	3 3/4	54 1/2	21 1/4	1580
DEW3 ³ / ₄ X122FM43D1	122	43	12-1800	7/16	49	49	3 3/4	54 1/2	21 1/4	1630
EEW3 ³ / ₄ -142FM75D1	142	75	20-1800	7/16	51	49	5	54 1/2	21 1/4	2070

*Maximum dimension for single and two speed hoist through 20 Hp; and 25 & 30 HP wound rotor.

Lifts based on standard rope.

Additional lifts, speeds and non-rotating rope available, consult factory.

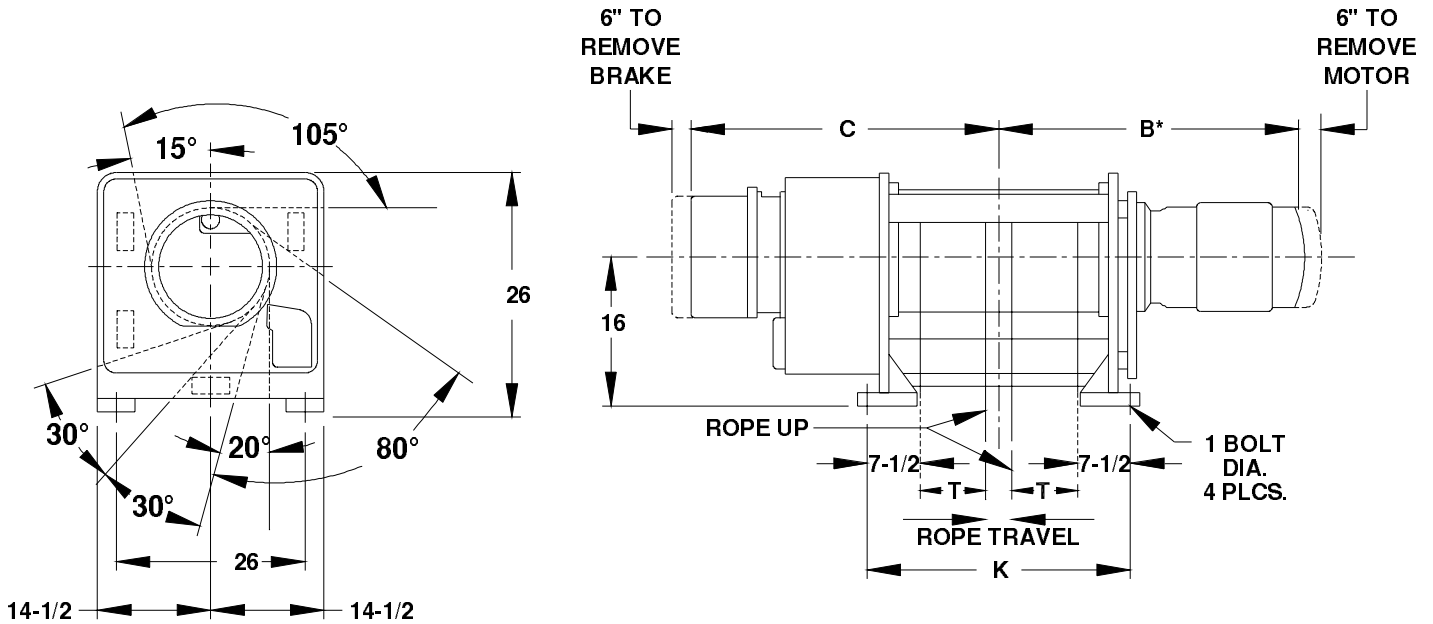
Yale reserves the right to make product changes as necessary.



Drawing 35-106 3.75Ton

Model Number	Lift (ft)	Speed fpm	Motor HP/RPM	Rope Dia.	B*	C	K	T	Wt. lbs
FEW3 ³ / ₄ -128FM92D1	128	92	25-1800	7/16	64	49	45 1/4	13 5/8	2590
FEW3 ³ / ₄ -164FM92D1	164	92	25-1800	7/16	69	54	55 1/4	18 5/8	2720
FEW3 ³ / ₄ -240FM92D1	240	92	25-1800	7/16	79	64	75 1/4	28 5/8	2950
FEW3 ³ / ₄ -354FM92D1	354	92	25-1800	7/16	94	79	105 1/4	43 5/8	3290

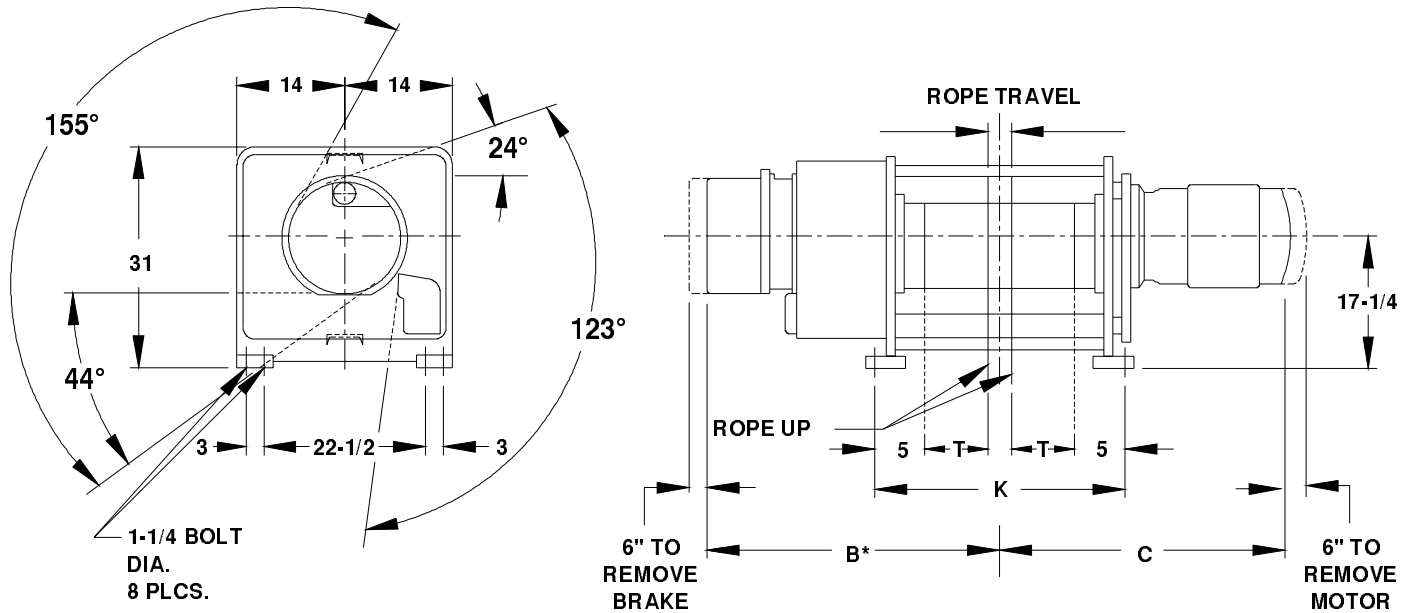
*Maximum dimension for single and two speed hoist through 20 Hp; and 25 & 30 HP wound rotor.
 Lifts based on standard rope.
 Additional lifts, speeds and non-rotating rope available, consult factory.
Yale reserves the right to make product changes as necessary.



Drawing 35-106 5Ton

Model Number	Lift (ft)	Speed fpm	Motor HP/RPM	Rope Dia.	B*	C	K	T	Wt. lbs
FEW5-202FM58D1	202	58	20-1B00	1/2	64	64	75 1/4	28 5/8	2810
FEW5-202FM92D1	202	92	30-1800	1/2	80	64	75 1/4	28 5/8	3160
FEW5-300FM58D1	300	58	20-1800	1/2	79	79	105 1/4	43 5/8	2940
FEW5-300FM92D1	300	92	30-1800	1/2	95	79	105 1/4	43 5/8	3290

*Maximum dimension for single and two speed hoist.
Lifts based on standard rope.
Additional lifts, speeds and non-rotating rope available, consult factory.
Yale reserves the right to make product changes as necessary.



Drawing 35-107 5Ton

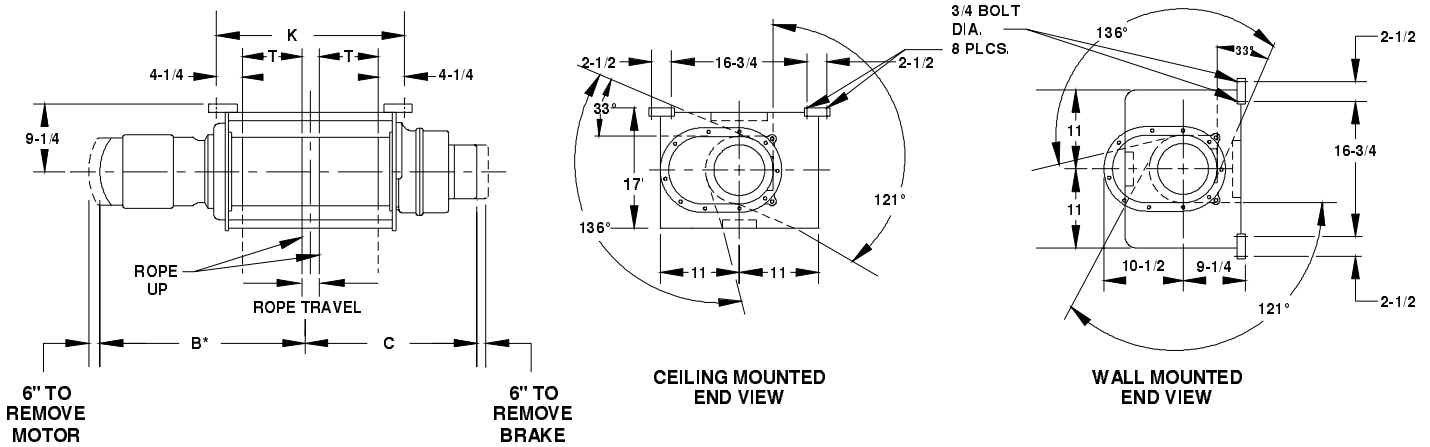
Model Number	Lift (ft)	Speed fpm	Motor HP/RPM	Rope Dia.	B*	C	K	T	Wt. lbs
EEW5X66FM25D1	66	25	10-1200	1/2	45	46	38 1/2	13 1/4	2130
EEW5X66FM38D1	66	38	15-1800	1/2	42	46	38 1/2	13 1/4	2130
EEW5X66FM52D1	66	52	20-1800	1/2	43	46	38 1/2	13 1/4	2320
EEW5X88FM25D1	88	25	10-1200	1/2	48	49	45 1/2	16 3/4	2220
EEW5X88FM38D1	88	38	15-1800	1/2	45	49	45 1/2	16 3/4	2220
EEW5X88FM52D1	88	52	20-1800	1/2	46	49	45 1/2	16 3/4	2410
EEW5X114FM25D1	114	25	10-1200	1/2	53	54	54 1/2	21 1/4	2290
EEW5X114FM38D1	114	38	15-1800	1/2	50	54	54 1/2	21 1/4	2290
EEW5X114FM52D1	114	52	20-1800	1/2	51	54	54 1/2	21 1/4	2480
EEW5X150FM25D1	150	25	10-1200	1/2	59	60	66 1/2	27 1/4	2370
EEW5X150FM38D1	150	38	15-1800	1/2	56	60	66 1/2	27 1/4	2370
EEW5X150FM52D1	150	52	20-1800	1/2	57	60	66 1/2	27 1/4	2560

*Maximum dimension for single and two speed hoist through 20 Hp; and 25 & 30 HP wound rotor.

Lifts based on standard rope.

Additional lifts, speeds and non-rotating rope available, consult factory.

Yale reserves the right to make product changes as necessary.



Drawing 35-108 .5Ton

Model Number	Lift (ft)	Speed fpm	Motor HP/RPM	Rope Dia.	B*	C	K	T	Wt. lbs
BEW1/2-20**29D1	20	29	1-1200	1/4	25	23	18	3 3/4	490
BEW1/2-20**43D1	20	43	1 1/2-1800	1/4	23	23	18	3 3/4	480
BEW1/2-42**29D1	42	29	1-1200	1/4	28	26	25	7 1/4	510
BEW1/2-42**43D1	42	43	1 1/2-1800	1/4	27	26	25	7 1/4	500
BEW1/2-42**77D1	42	77	3-1800	1/4	27	26	25	7 1/4	520
BEW1/2-64**29D1	64	29	1-1200	1/4	32	30	32	10 3/4	540
BEW1/2-64**43D1	64	43	1 1/2-1800	1/4	30	30	32	10 3/4	530
BEW1/2-64**77D1	64	77	3-1800	1/4	30	30	32	10 3/4	550

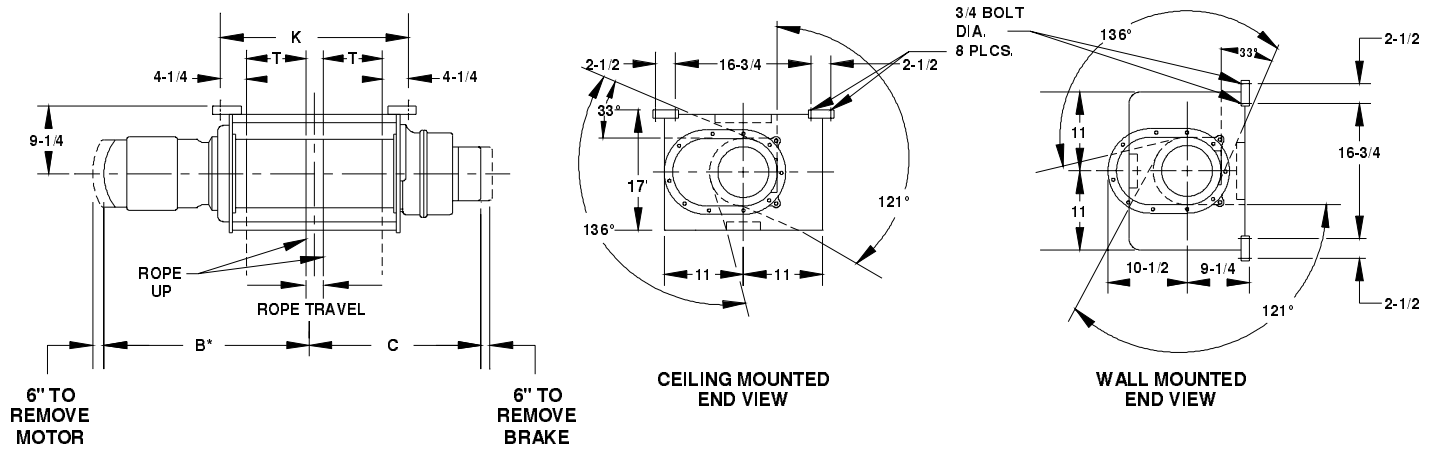
*Maximum dimension for single and two speed hoist.

**CM - Ceiling Mounted or WM - Wall Mounted

Lifts based on standard rope.

Additional lifts, speeds and non-rotating rope available, consult factory.

Yale reserves the right to make product changes as necessary.



Drawing 35-108 1Ton

Model Number	Lift (ft)	Speed fpm	Motor HP/RPM	Rope Dia.	B^*	C	K	T	Wt. lbs
BEW1-42**29D1	42	29	2-1200	1/4	28	26	25	7 1/4	510
BEW1-42**43D1	42	43	3-1800	1/4	27	26	25	7 1/4	520
BEW1-64**29D1	64	29	2-1200	1/4	32	30	32	10 3/4	540
BEW1-64**43D1	64	43	3-1800	1/4	30	30	32	10 3/4	540
BEW1-84**29D1	84	29	2-1200	1/4	35	33	38	13 3/4	560
BEW1-84**43D1	84	43	3-1800	1/4	33	33	38	13 3/4	570

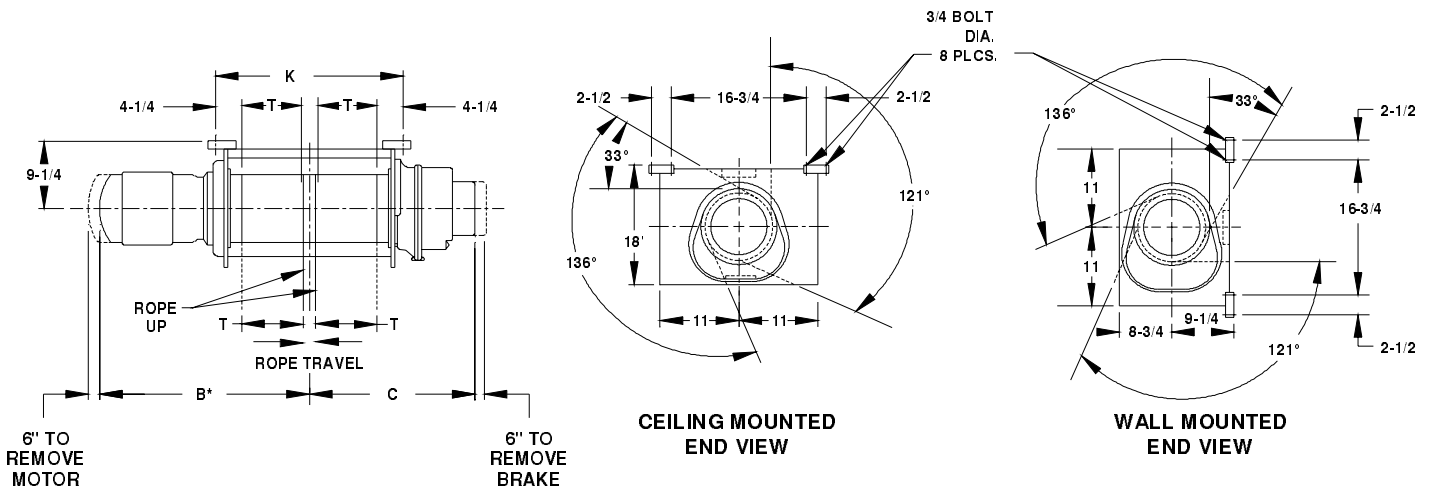
*Maximum dimension for single and two speed hoist.

**CM - Ceiling Mounted or WM - Wall Mounted

Lifts based on standard rope.

Additional lifts, speeds and non-rotating rope available, consult factory.

Yale reserves the right to make product changes as necessary.



Drawing 35-109 1Ton

Model Number	Lift (ft)	Speed fpm	Motor HP/RPM	Rope Dia.	B*	C	K	T	Wt. lbs
BEW1½X34**32D1	34	32	3-1200	5/16	31	29	25	7 1/4	560
BEW1½X34**49D1	34	49	5-1800	5/16	29	29	25	7 1/4	570
BEW1½X52**32D1	52	32	3-1200	5/16	35	32	32	10 3/4	590
BEW1½X52**49D1	52	49	5-1800	5/16	33	32	32	10 3/4	600
BEW1½X68**32D1	68	32	3-1200	5/16	38	35	38	13 3/4	610
BEW1½X68**49D1	68	49	5-1800	5/16	36	35	38	13 3/4	620
BEW1½X86**32D1	86	32	3-1200	5/16	41	39	45	17 1/4	630
BEW1½X86**49D1	86	49	5-1800	5/16	39	39	45	17 1/4	640

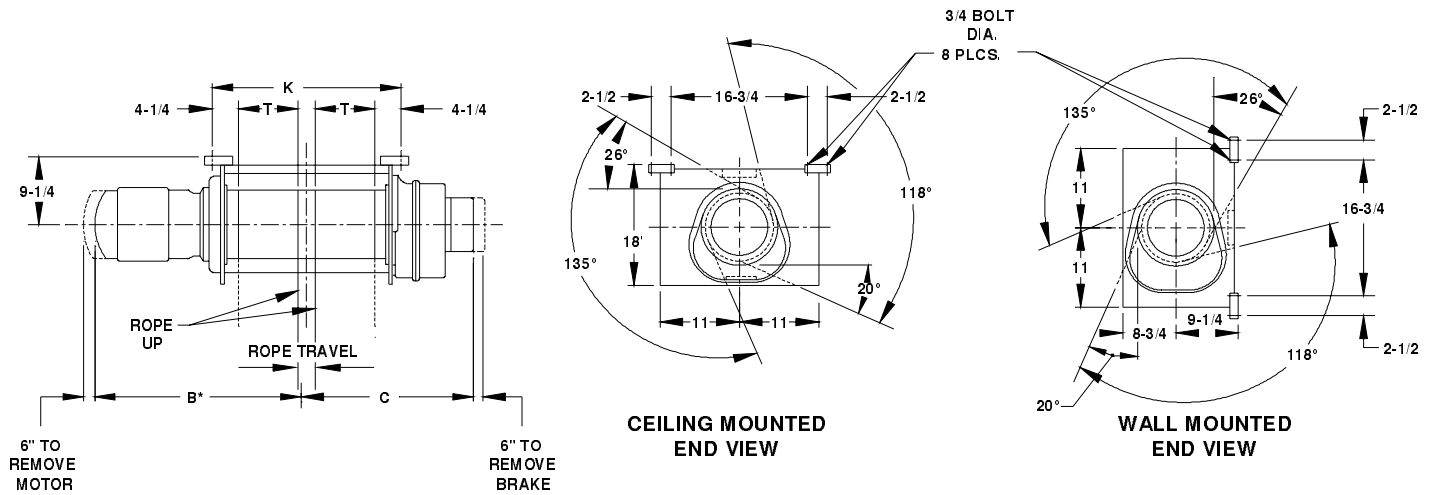
*Maximum dimension for single and two speed hoist.

**CM - Ceiling Mounted or WM - Wall Mounted

Lifts based on standard rope.

Additional lifts, speeds and non-rotating rope available, consult factory.

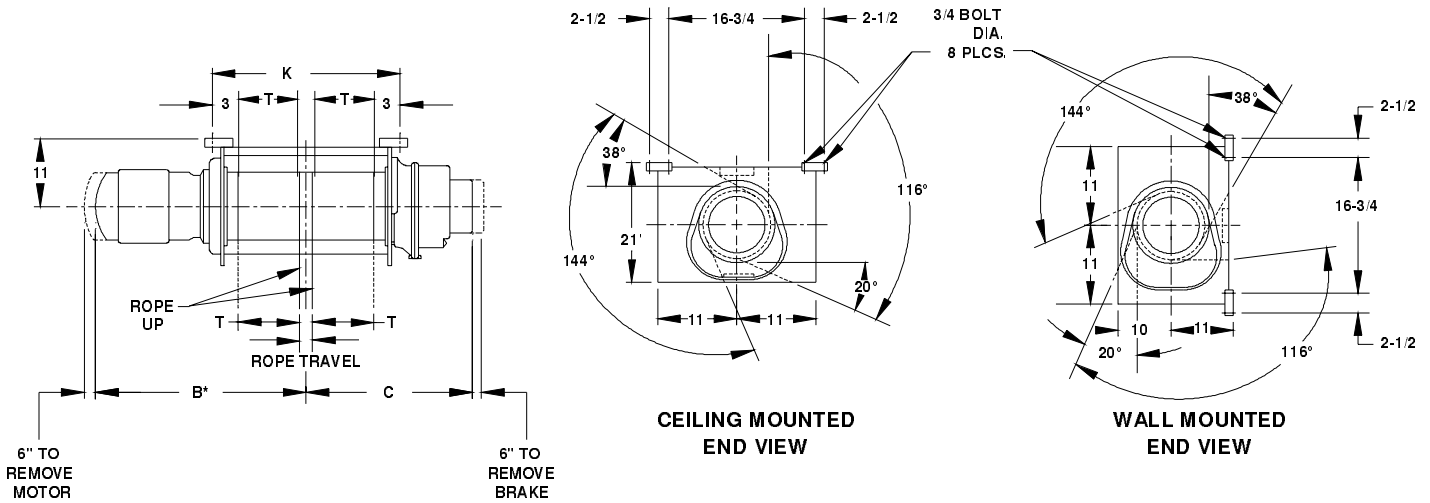
Yale reserves the right to make product changes as necessary.



Drawing 35-110 1.5Ton

Model Number	Lift (ft)	Speed fpm	Motor HP/RPM	Rope Dia.	B*	C	K	T	Wt. lbs
CEW1½-38**74D1	38	74	7 1/2-1800	5/16	35	29	24	6 3/4	680
CEW1½-60**74D1	60	74	7 1/2-1800	5/16	38	32	31	10 1/4	730
CEW1½-78**74D1	78	74	7 1/2-1800	5/16	41	35	37	13 1/4	760
CEW1½-100**74D1	100	74	7 1/2-1800	5/16	45	39	44	16 3/4	800

*Maximum dimension for single and two speed hoist.
 **CM - Ceiling Mounted or WM - Wall Mounted
 Lifts based on standard rope.
 Additional lifts, speeds and non-rotating rope available, consult factory.
Yale reserves the right to make product changes as necessary.



Drawing 35-111 2.5Ton

Model Number	Lift (ft)	Speed fpm	Motor HP/RPM	Rope Dia.	B*	C	K	T	Wt. lbs
CEW2½X32**31D1	32	31	5-1200	3/8	33	30	24	6 3/4	690
CEW2½X50**31D1	50	31	5-1200	3/8	36	34	31	10 1/4	740
CEW2½X66**31D1	66	31	5-1200	3/8	39	37	37	13 1/4	770
CEW2½X84**31D1	84	31	5-1200	3/8	43	40	44	16 3/4	820

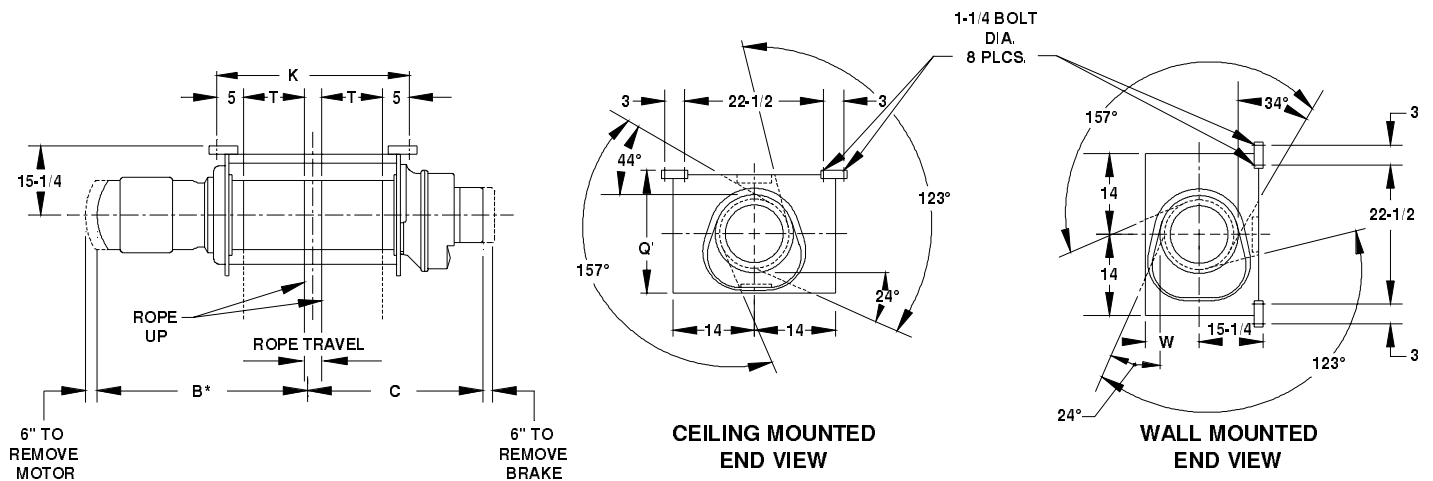
*Maximum dimension for single and two speed hoist.

**CM - Ceiling Mounted or WM - Wall Mounted

Lifts based on standard rope.

Additional lifts, speeds and non-rotating rope available, consult factory.

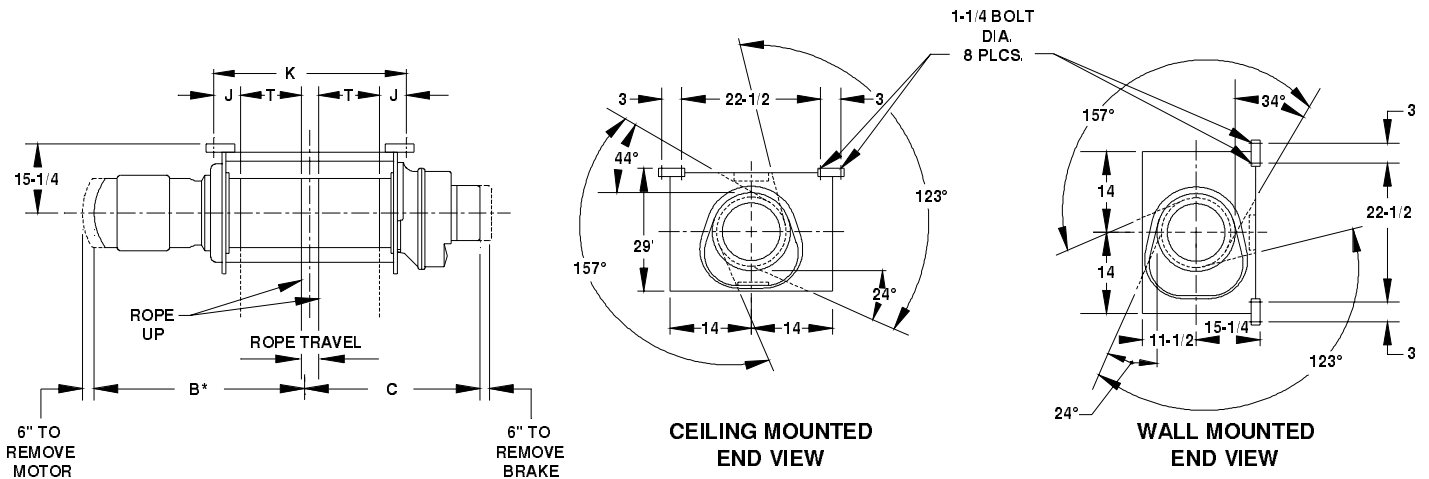
Yale reserves the right to make product changes as necessary.



Drawing 35-112 2.5Ton

Model Number	Lift (ft)	Speed fpm	Motor HP/RPM	Rope Dia.	B*	C	K	Q'	T	W	Wt. lbs
DEW2½-42**63D1	42	63	10-1800	3/8	33	31	25 1/2	27	6 3/4	11	1090
DEW2½-66**63D1	66	63	10-1800	3/8	36	34	32 1/2	27	10 1/4	11	1150
EEW2½-76**100D1	76	100	20-1800	3/8	40	38	32 1/2	29	10 1/4	12 3/4	1810
DEW2½-86**63D1	86	63	10-1800	3/8	39	37	38 1/2	27	13 1/4	11	1210
EEW2½-100**100D1	100	100	20-1800	3/8	43	41	38 1/2	29	13 1/4	12 3/4	1890
DEW2½-110**63D1	110	63	10-1800	3/8	43	41	45 1/2	27	16 3/4	11	1280
EEW2½-126**100D1	126	100	20-1800	3/8	46	44	45 1/2	29	16 3/4	12 3/4	1960
EEW2½-162**100D1	162	100	20-1800	3/8	51	49	54 1/2	29	21 1/4	12 3/4	2070

*Maximum dimension for single and two speed hoist.
 **CM - Ceiling Mounted or WM - Wall Mounted
 Lifts based on standard rope.
 Additional lifts, speeds and non-rotating rope available, consult factory.
Yale reserves the right to make product changes as necessary.



Drawing 35-112 3.75Ton

Model Number	Lift (ft)	Speed fpm	Motor HP/RPM	Rope Dia.	B*	C	J	CM K	WM K	T	Wt. lbs
DEW3/4X56**28D1	56	28	7 1/2-1200	7/16	38	38	3 3/4	32 1/2	32 1/2	10 1/4	1400
DEW3/4X56**43D1	56	43	12-1800	7/16	38	38	3 3/4	32 1/2	32 1/2	10 1/4	1450
EEW3/4-64**75D1	64	75	20-1800	7/16	40	38	5	32 1/2	32 1/2	10 1/4	1810
DEW3/4X74**28D1	74	28	7 1/2-1200	7/16	41	41	3 3/4	38 1/2	38 1/2	13 1/4	1460
DEW3/4X74**43D1	74	43	12-1800	7/16	41	41	3 3/4	38 1/2	38 1/2	13 1/4	1510
EEW3/4-86**75D1	86	75	20-1800	7/16	43	41	5	38 1/2	38 1/2	13 1/4	1890
DEW3/4X94**28D1	94	28	7 1/2-1200	7/16	44	44	3 3/4	45 1/2	45 1/2	16 3/4	1510
DEW3/4X94**43D1	94	43	12-1800	7/16	44	44	3 3/4	45 1/2	45 1/2	16 3/4	1560
EEW3/4-110**75D1	110	75	20-1800	7/16	46	44	5	45 1/2	45 1/2	16 3/4	1960
DEW3/4X122**28D1	122	28	7 1/2-1200	7/16	49	49	3 3/4	54 1/2	54 1/2	21 1/4	1580
DEW3/4X122**43D1	122	43	12-1800	7/16	49	49	3 3/4	54 1/2	54 1/2	21 1/4	1630
EEW3/4-142**75D1	142	75	20-1800	7/16	51	49	5	54 1/2	54 1/2	21 1/4	2070

*Maximum dimension for single and two speed hoist through 20 HP; and 25 & 30 HP wound rotor.

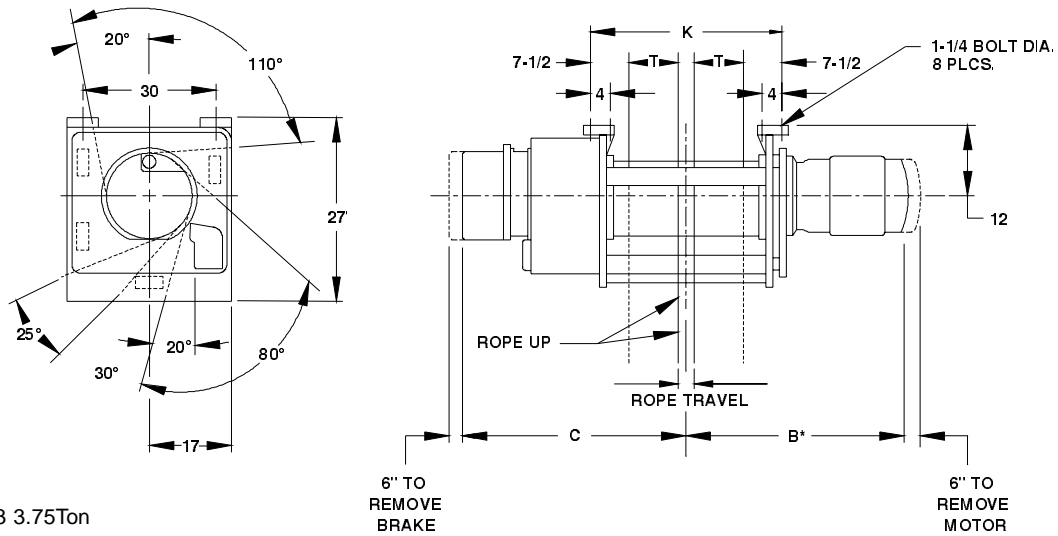
**CM - Ceiling Mounted or WM - Wall Mounted

Lifts based on standard rope.

Additional lifts, speeds and non-rotating rope available, consult factory.

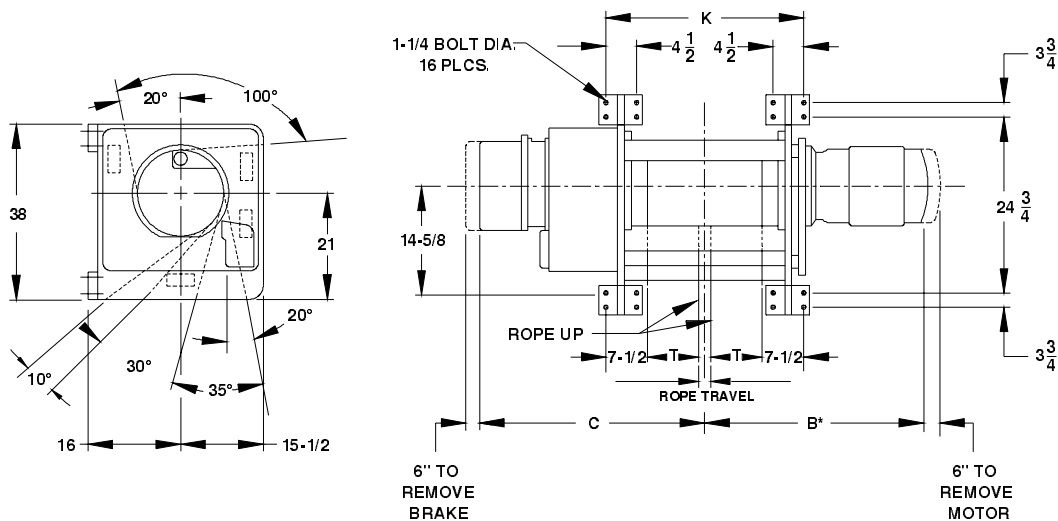
Yale reserves the right to make product changes as necessary.

Ceiling Mount



Drawing 35-113 3.75Ton

Wall Mount



Drawing 35-114 3.75Ton

Model Number	Lift (ft)	Speed fpm	Motor HP/RPM	Rope Dia.	B*	C	CM K	WM K	T	Wt. lbs
FEW3 ³ / ₄ -128**92D1	128	92	25-1800	7/16	64	49	45 1/4	45 3/4	13 5/8	2590
FEW3 ³ / ₄ -164**92D1	164	92	25-1800	7/16	69	54	55 1/4	55 3/4	18 5/8	2720
FEW3 ³ / ₄ -240**92D1	240	92	25-1800	7/16	79	64	75 1/4	75 3/4	28 5/8	2950
FEW3 ³ / ₄ -354**92D1	354	92	25-1800	7/16	94	79	105 1/4	105 3/4	43 5/8	3290

*Maximum dimension for single and two speed hoist through 20 HP; and 25 & 30 HP wound rotor.

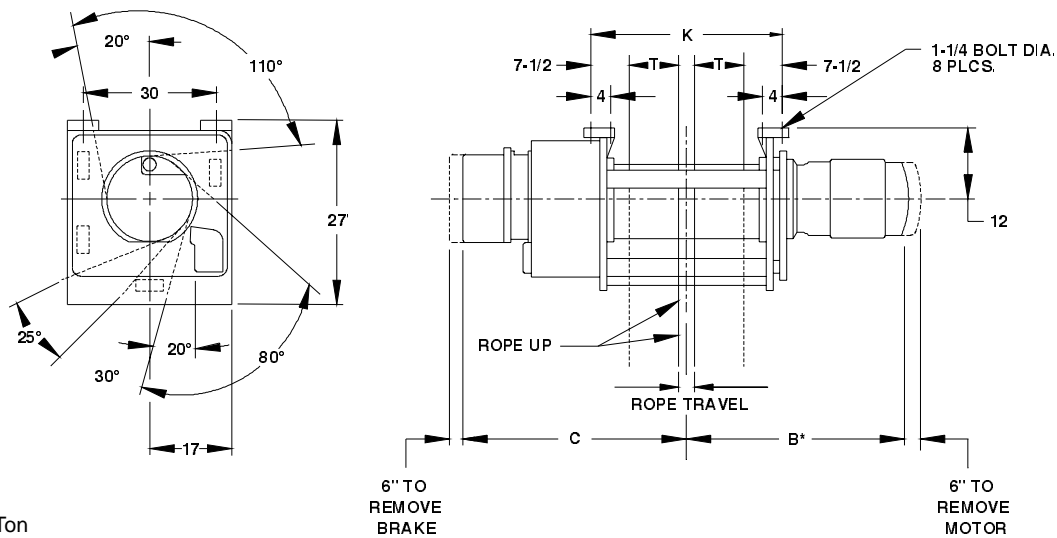
**CM - Ceiling Mounted or WM - Wall Mounted

Lifts based on standard rope.

Additional lifts, speeds and non-rotating rope available, consult factory.

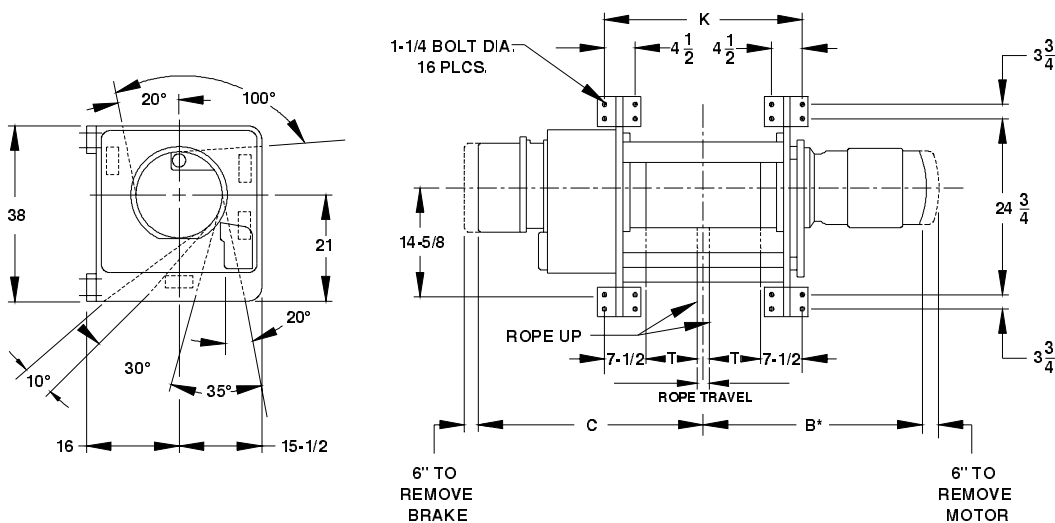
Yale reserves the right to make product changes as necessary.

Ceiling Mount



Drawing 35-113 5Ton

Wall Mount



Drawing 35-114 5Ton

Model Number	Lift (ft)	Speed fpm	Motor HP/RPM	Rope Dia.	B*	C	CM K	WM K	T	Wt. lbs
FEW5-202**58D1	202	58	20-1800	1/2	64	64	75 1/4	75 3/4	28 5/8	2810
FEW5-202**92D1	202	92	30-1800	1/2	80	64	75 1/4	75 3/4	28 5/8	3160
FEW5-300**58D1	300	58	20-1800	1/2	79	79	105 1/4	105 3/4	43 5/8	2940
FEW5-300**92D1	300	92	30-1800	1/2	95	79	105 1/4	105 3/4	43 5/8	3290

*Maximum dimension for single and two speed hoist through 20 HP; and 25 & 30 HP wound rotor.

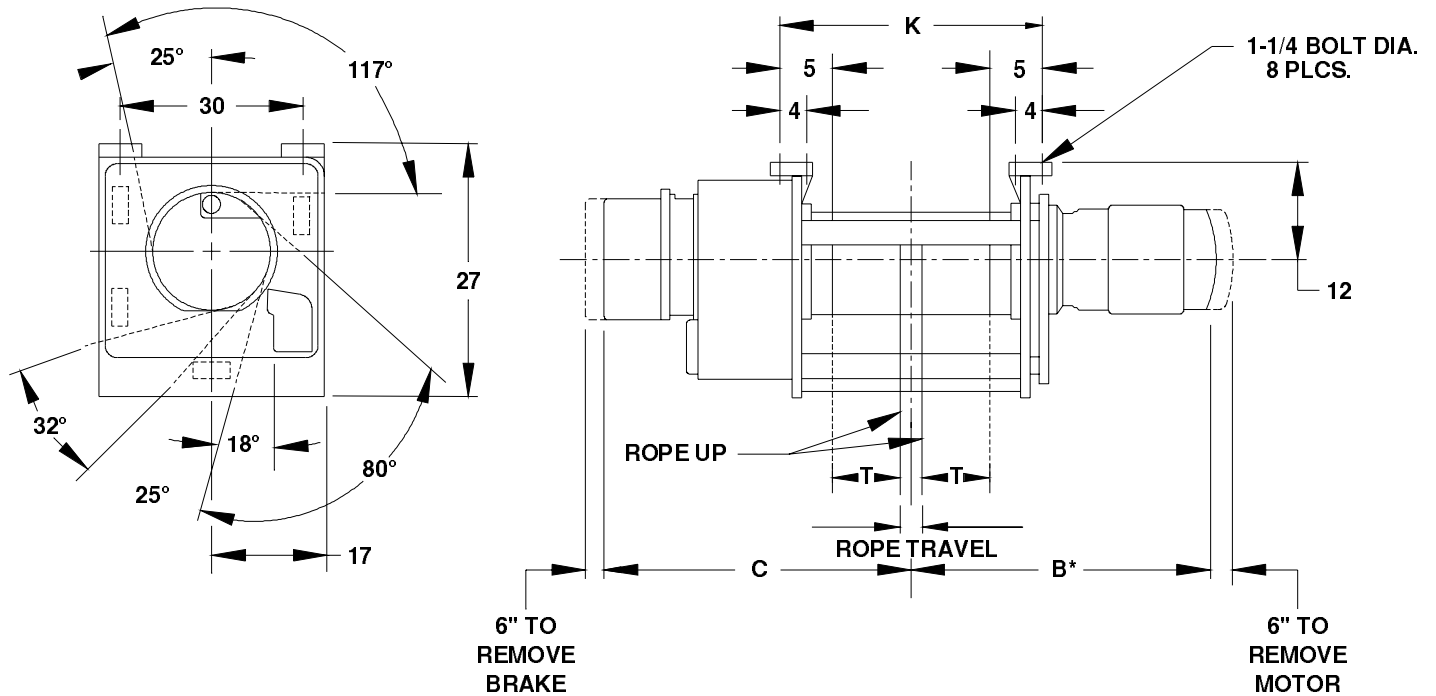
**CM - Ceiling Mounted or WM - Wall Mounted

Lifts based on standard rope.

Additional lifts, speeds and non-rotating rope available, consult factory.

Yale reserves the right to make product changes as necessary.

Ceiling Mount



Drawing 35-115 5Ton

Model Number	Lift (ft)	Speed fpm	Motor HP/RPM	Rope Dia.	B*	C	K	T	Wt. lbs
EEW5X66**25D1	66	25	10-1200	1/2	45	46	38	13 1/4	2130
EEW5X66**38D1	66	38	15-1800	1/2	42	46	38	13 1/4	2130
EEW5X66**52D1	66	52	20-1800	1/2	43	46	38	13 1/4	2320
EEW5X88**25D1	88	25	10-1200	1/2	48	49	45	16 3/4	2220
EEW5X88**38D1	88	38	15-1800	1/2	45	49	45	16 3/4	2220
EEW5X88**52D1	88	52	20-1800	1/2	46	49	45	16 3/4	2410
EEW5X114**25D1	114	25	10-1200	1/2	53	54	54	21 1/4	2290
EEW5X114**38D1	114	38	15-1800	1/2	50	54	54	21 1/4	2290
EEW5X114**52D1	114	52	20-1800	1/2	51	54	54	21 1/4	2480
EEW5X150**25D1	150	25	10-1200	1/2	59	60	66	27 1/4	2370
EEW5X150**38D1	150	38	15-1800	1/2	56	60	66	27 1/4	2370
EEW5X150**52D1	150	52	20-1800	1/2	57	60	66	27 1/4	2560

*Maximum dimension for single and two speed hoist through 20 Hp; and 25 & 30 HP wound rotor.

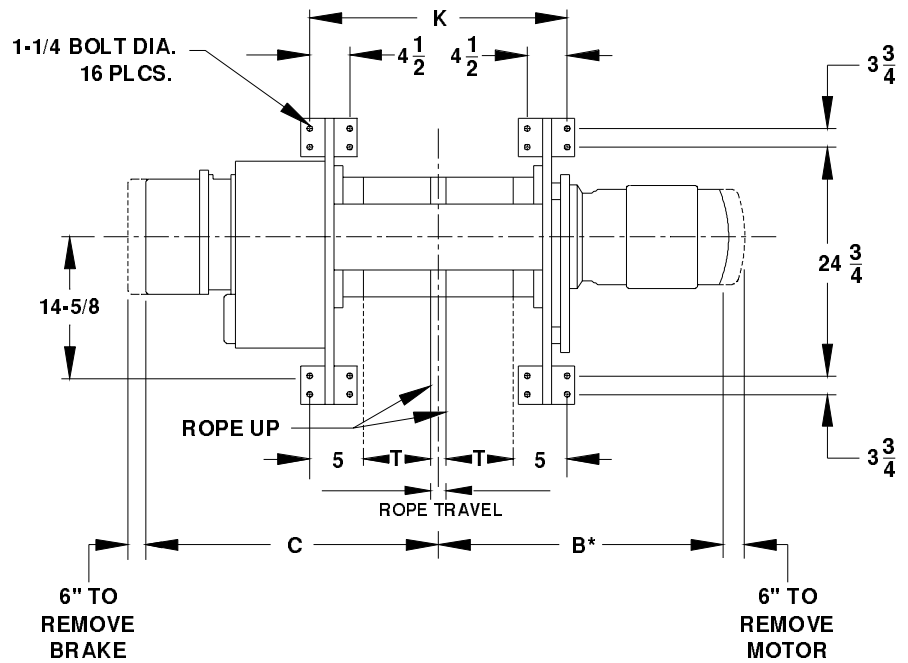
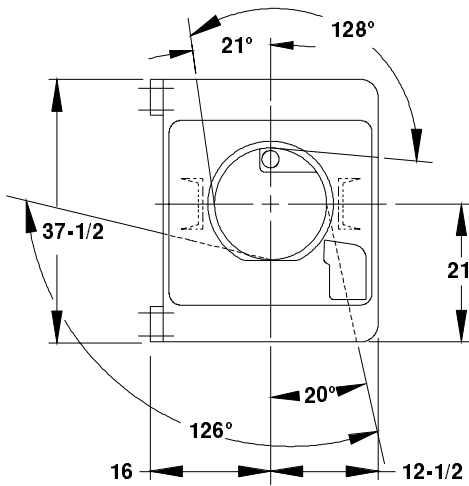
**CM - Ceiling Mounted or WM - Wall Mounted

Lifts based on standard rope.

Additional lifts, speeds and non-rotating rope available, consult factory.

Yale reserves the right to make product changes as necessary.

Wall Mount



Drawing 35-116 5Ton

Model Number	Lift (ft)	Speed fpm	Motor HP/RPM	Rope Dia.	B*	C	K	T	Wt. lbs
EEW5X66**25D1	66	25	10-1200	1/2	45	46	38 1/2	13 1/4	2130
EEW5X66**38D1	66	38	15-1800	1/2	42	46	38 1/2	13 1/4	2130
EEW5X66**52D1	66	52	20-1800	1/2	43	46	38 1/2	13 1/4	2320
EEW5X88**25D1	88	25	10-1200	1/2	48	49	45 1/2	16 3/4	2220
EEW5X88**38D1	88	38	15-1800	1/2	45	49	45 1/2	16 3/4	2220
EEW5X88**52D1	88	52	20-1800	1/2	46	49	45 1/2	16 3/4	2410
EEW5X114**25D1	114	25	10-1200	1/2	53	54	54 1/2	21 1/4	2290
EEW5X114**38D1	114	38	15-1800	1/2	50	54	54 1/2	21 1/4	2290
EEW5X114**52D1	114	52	20-1800	1/2	51	54	54 1/2	21 1/4	2480
EEW5X150**25D1	150	25	10-1200	1/2	59	60	66 1/2	27 1/4	2370
EEW5X150**38D1	150	38	15-1800	1/2	56	60	65 1/2	27 1/4	2370
EEW5X150**52D1	150	52	20-1800	1/2	57	60	66 1/2	27 1/4	2560

*Maximum dimension for single and two speed hoist through 20 Hp; and 25 & 30 HP wound rotor.

**CM - Ceiling Mounted or WM - Wall Mounted

Lifts based on standard rope.

Additional lifts, speeds and non-rotating rope available, consult factory.

Yale reserves the right to make product changes as necessary.