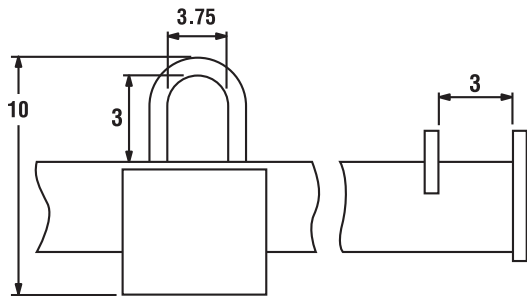
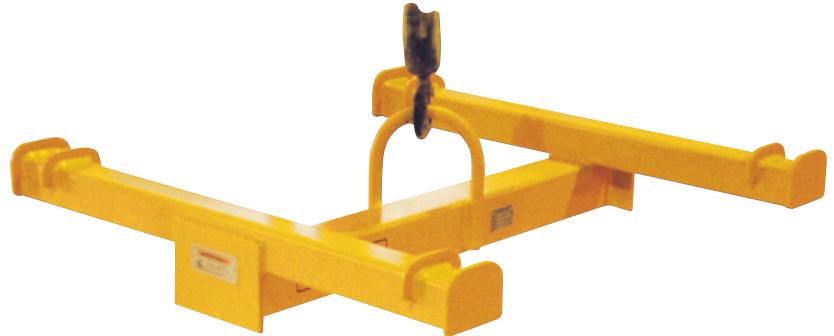


BCB BULK CONTAINER LIFTING BEAM

PRODUCT FEATURES

- Constructed of tubing for smooth surface with no sharp edges.
- Low headroom design.
- Easily attach to load with open lifting lugs.
- Lug spacing will hold up to a 3" wide loop.
- Oversized lifting eye to accept a wide range of hooks.
- Complies with ASME standards.



Note: All dimensions shown in inches.

SPECIFICATIONS

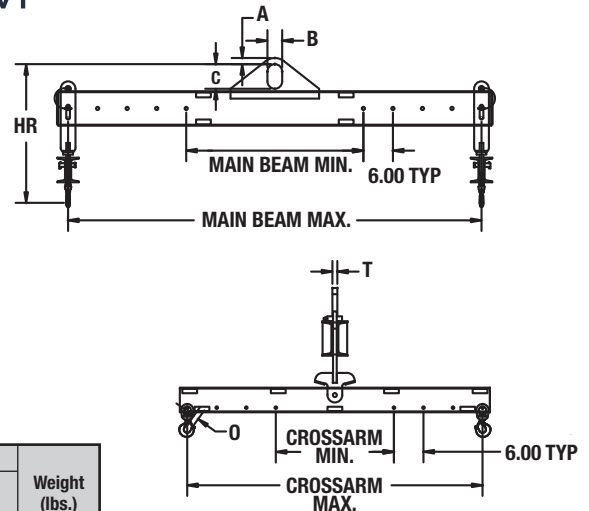
Model Number	Capacity (lbs.)	Span (in.)	Weight (lbs.)
BCB136	2200	36	150
BCB148	2200	48	185
BCB236	4400	36	155
BCB248	4400	48	190

Other sizes available, please consult factory.

AFPB STANDARD ADJUSTABLE FOUR POINT LIFTING BEAM

PRODUCT FEATURES

- Low headroom design.
- Swivel hooks with latches standard.
- Adjustable spreads on 1' increments.
- Faspins for easy crossarm adjustment.
- Complies with ASME standards.



SPECIFICATIONS

Model Number	Capacity (tons)	Dimensions (inches)							Weight (lbs.)
		Main Beam Min./Max.	Crossarms Min./Max.	Bail				O	
				A	B	C	T		
AFPB384	3	36/84	24/60	1.25	3	5	1	0.97	375
AFPB5120	5	48/120	36/96	2	4	7	1.25	1.06	760
AFPB10144	10	72/144	36/96	2	4	7	1.25	1.41	1530

Custom sizes and capacities available. Please fill out the Lifting Beam Application Evaluation.