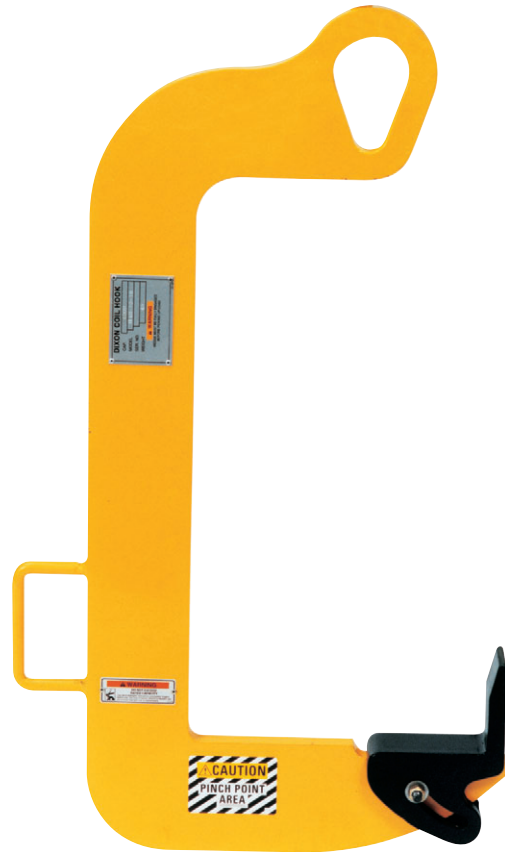
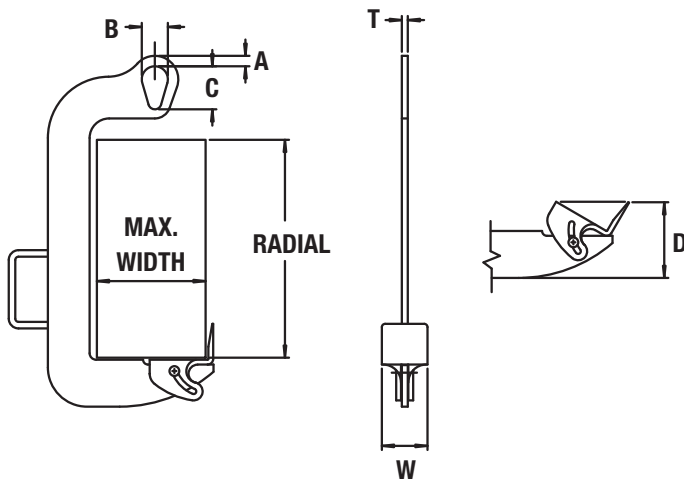


## DCH DIXON COIL HOOK

### PRODUCT FEATURES

- Easy horizontal to vertical upending of coils.
- Pivoting wedge for easy tilting of stacked coils.
- Wedge acts as retainer.
- Efficient and easy to use.
- Popular for use with small, lightweight coils.
- For use where overhead clearance is limited.
- Specially designed heat treated pivoting wedge.
- Complies with ASME standards.



COIL LIFTERS  
& UPENDERS

### SPECIFICATIONS

Model Number	Capacity (tons)	Dimensions (inches)									Weight (lbs.)
		Max. Width	Max. Radial	Min. I.D.	A	B	C	D	T	W	
DCH1000613	1/2	6	13	9	13/16	2	3-5/16	6	1/2	3-1/2	20
DCH10001213	1/2	12	13	13	13/16	2	3-5/16	6	1/2	3-1/2	28
DCH1816	1	8	16	10	13/16	2	3-5/16	6	1/2	3-1/2	23
DCH21018	2	10	18	12-1/2	1	2-5/8	4	6-3/4	3/4	2	42
DCH351220	3-1/2	12	20	14-1/2	1-3/16	3-5/8	5-5/16	7-3/4	1	2-1/2	80

Other sizes available, consult factory.