

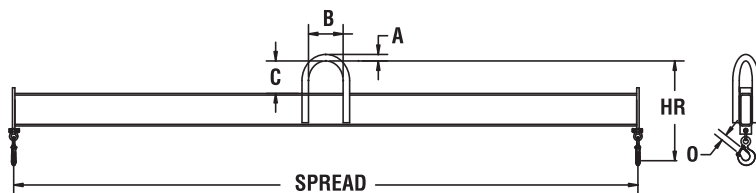
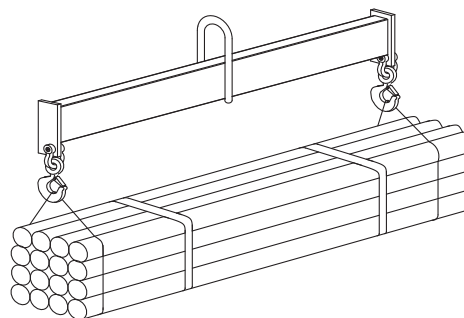
FLB FIXED SPREAD LIFTING BEAM



PRODUCT FEATURES

- Provides clearance in low headroom applications.
- Eye hooks with hook latches standard.
- Fixed spread.
- Complies with ASME standards.

APPLICATION



SPECIFICATIONS

Capacity (tons)	Model Number HR Headroom (in.) Weight (lbs.)	Spread (feet)						Other Dimensions (in.)	
		2	3	4	6	8	10		
1/2	Model Number	FLB10002	FLB10003	FLB10004	FLB10006	FLB10008	FLB100010	A = .75 B = 3 C = 5	0 = .89
	HR Headroom	13-1/3	13-1/3	13-1/3	13-1/3	14-1/3	14-1/3		
1	Weight	20	26	33	48	75	93	A = 1 B = 6 C = 5	0 = .89
	Model Number	FLB12	FLB13	FLB14	FLB16	FLB18	FLB110		
1	HR Headroom	14-1/3	14-1/3	14-1/3	15-1/3	15-1/3	16 1/3	A = 1 B = 6 C = 5	0 = 1
	Weight	26	35	44	72	93	131		
2	Model Number		FLB23	FLB24	FLB26	FLB28	FLB210	A = 1 B = 6 C = 5	0 = 1
	HR Headroom		16-3/4	16-3/4	17-3/4	19-3/4	19-3/4		
2	Weight		45	55	108	140	188	A = 1.5 B = 6 C = 5	0 = 1
	Model Number		FLB33	FLB34	FLB36	FLB38	FLB110		
3	HR Headroom		18	20	20	20	20	A = 1.5 B = 6 C = 5	0 = 1
	Weight		58	87	118	222	272		