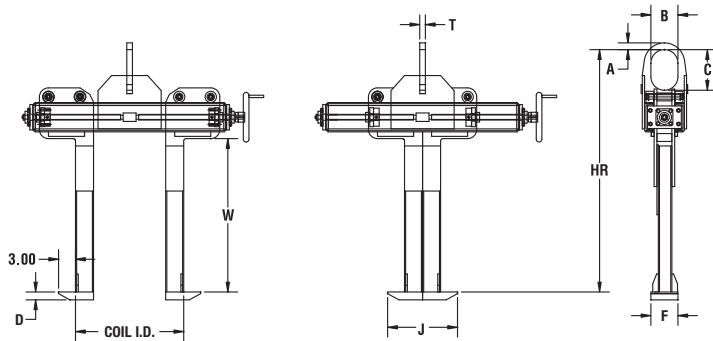


HCL VERTICAL COIL LIFTER WITH HAND WHEEL

PRODUCT FEATURES

- Handles any size coil I.D. from 16" to 24".
- Efficient handling of vertically stacked coils.
- Available with chain wheel drive.
- Complies with ASME standards.



SPECIFICATIONS

Model Number	Capacity (tons)	Dimensions (inches)											Weight (lbs.)
		Coil I.D.		Coil Width	HR Headroom	A	B	C	T	F	D	J	
		Min.	Max.	W									
HCL2524	2-1/2	16	24	20	36	1-1/2	3	5	3/4	5	3/4	15-1/2	250
HCL524	5	16	24	24	41	2	4	7	1	6	1	15-1/2	350
HCL7524	7-1/2	16	24	24	42	2	4	7	1	6	1	15-1/2	425
HCL1024	10	16	24	30	50	2-1/2	5	9	1-1/4	6	1-1/2	15-1/2	500

Other sizes available, consult factory.