



CM[®]

BUNDLING CLIP

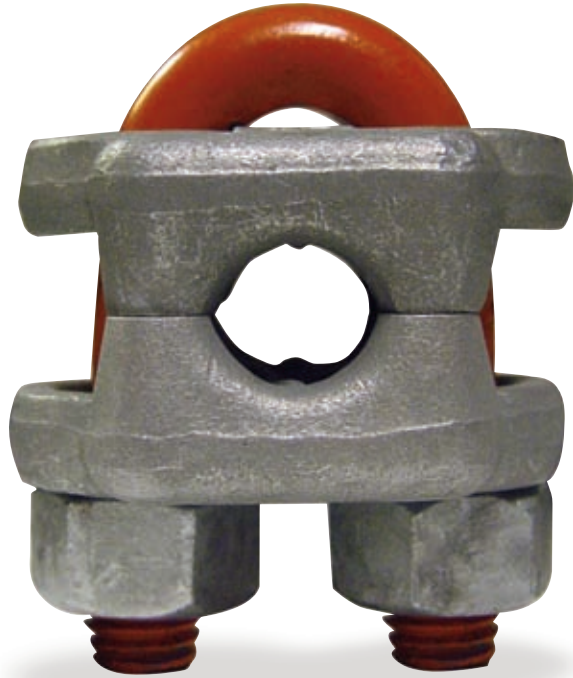
From logging roads to the oil fields, the CM Bundling Clip is built for heavy-duty bundling applications in the toughest industries. When lifting, storing or moving steel tubing, pipes, rail cars or precast concrete, its easy-to-assemble U-design allows for fewer parts to drop or lose. The CM Bundling Clip eliminates shear points and damage to wire rope, as well as preventing the choker from going slack and the load spreading after being unhooked.

Ideal for Rail Yards, Logging, Steel Mills,
Construction Sites, and Oil Fields.

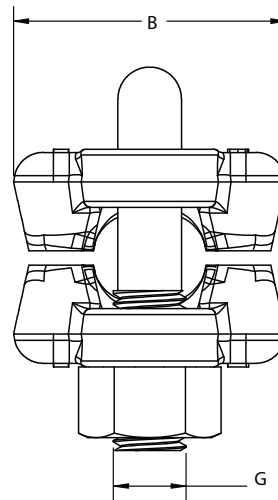
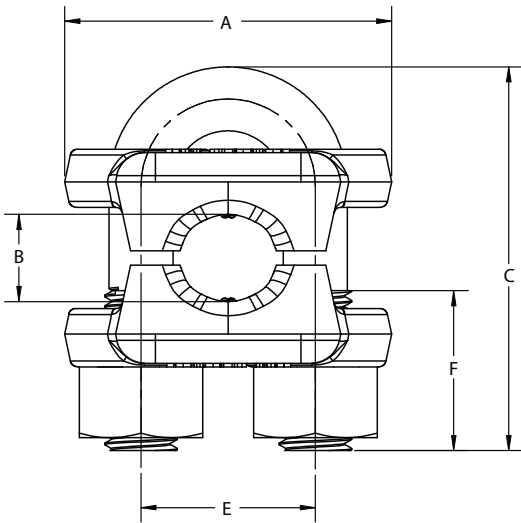




BUNDLING CLIP



- Galvanized and Painted U-Bolt with rolled threads. Interchangeable and replaceable with our standard Wire Rope Clip U-Bolts.
- Forged and Galvanized Saddles come with FORGED USA, Size, CM logo and Trace Code forged in.
- Meets B30.26 plus traceability.
- Performs to rated capacities
- After inspection, the CM Bundling Clip is reusable.
- Available for use with 3/4", 7/8", 1" & 1-1/8" wire rope chokers



Choke Rating

≥ 120°
100%

90°
87%

29°
49%

⚠ WARNING

Only trained qualified riggers should install the CM Bundling Clip. Refer to rigging guides for proper choke ratings and or reductions in working load limits when using this product. The choker end of the wire rope *must* have a thimble eye for safe and proper installation. Failure to install rigging hardware properly can result in injury and /or death.

PRODUCT CODE	SIZE	TORQUE (ft./lbs.)	A	B	C	D	E	F	G
M252B	3/4"	130	2.81	2.34	3.30	0.75	1.50	1.44	5/8"-11 UNC
M253B	7/8"	225	3.16	2.44	3.80	0.88	1.75	1.63	3/4"-10 UNC
M254B	1"	225	3.47	2.63	4.16	1.00	1.88	1.81	3/4"-10 UNC
M255B	1-1/8"	225	3.60	2.81	4.54	1.13	2.00	2.00	3/4"-10 UNC