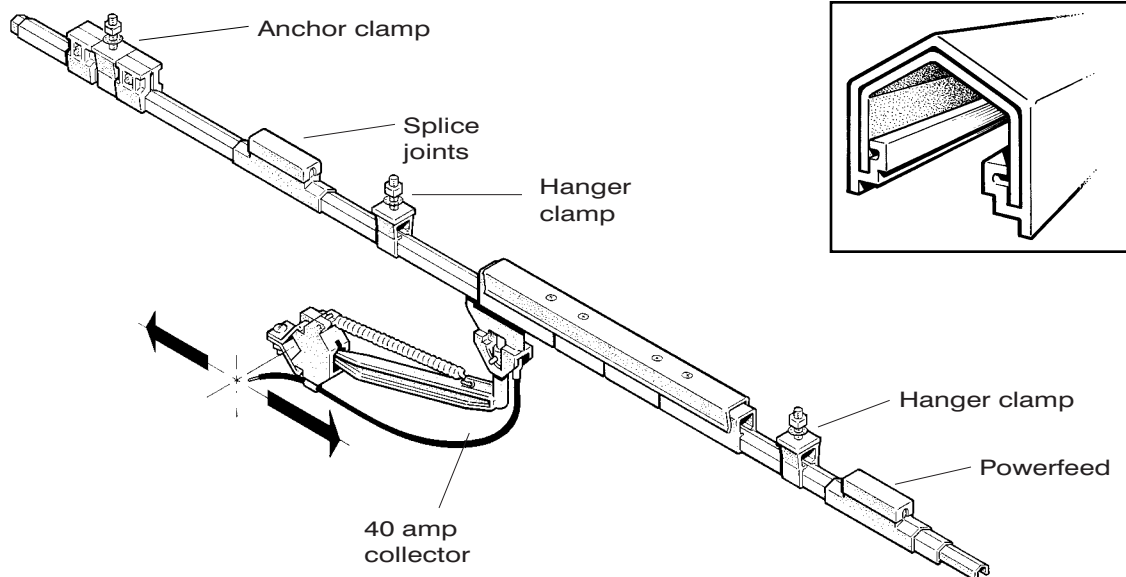


13 Medium-duty V-bar



40 amp galvanized standard, 120 amp copper available

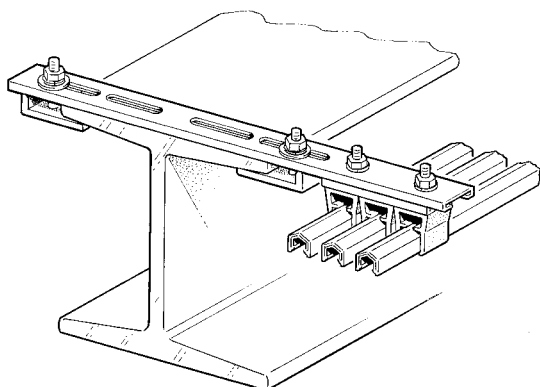
Maximum vertical stroke of collector: 2 3/8 inches.
 Up to 6 conductors per system. Contact CM for special requirements.

For temperature deviation (ΔT) change greater than 110°F, expansion joints and special cover may be needed. Contact CM.

Features

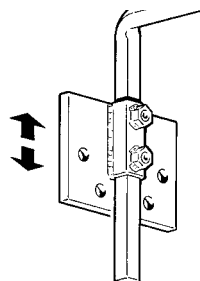
- UL V-contact conductor for improved collector tracking and reduced wear to cover
- Compact design with 3/4 inch conductor spacing allows for fast and easy multiple bar installation
- Safe; limited access to conductor rail
- Flexible; can be mounted for lateral mount. Curves must be factory bent
- Minimum horizontal curve radius: 16 inches
- Economical; proven, superior performance at a very competitive price
- UL listed, CSA and IP2 certified. Meets all existing NEC requirements
- Made in U.S.A.

Adjustable support bracket



Optional mounting staff can be bolted or welded

Product code 31401



Fits S4 to S12 beam sizes. Contact CM for special requirements.