

# CM MAX BALANCER

## MECHANICAL COMPONENTS

### PARTS LIST

Key No.	No. Reqd.	Part Name	Part Number		
			CM Max 120 (0950)	CM Max 200 (0951)	CM Max 300 (0952)
609-400	1	Cylinder Bottom	09402	09416	09420**
609-401	6	Cylinder Tie Bolt 4 for Max 120/6 all others	09804		
609-402	1	Cylinder O-Ring	09801	09809	09821**
609-403	1	Lockout-tagout Bolt Seal	09802**		
609-404	1	Lockout-tagout Bolt	09429**		
609-405	1	Piston Stop	09406	09444**	
	1 *	<b>Bolt &amp; O-Ring Assembly Key # 609-406 &amp; 609-407</b>	<b>9408809**</b>		
609-406	1	Piston Bolt	09407		
609-407	1	Piston Bolt O' ring	09803		
609-408	1	Piston	09403	09419	09421**
609-409	1	Piston U - Cup	09822	09823	09824**
609-411	1	Ball Screw #	09807		
609-412	1	Cylinder Tube	09404P	09417P	09422P
609-413	1	Cylinder Head Plate	09405	09418	09423**
	1 *	<b>Pocket Wheel Assembly Key # 609-414 - 609-417</b>	<b>9530603</b>		
609-414	1	Pocket Wheel Bearing - Cylinder End	09808		
609-415	1	Pocket Wheel	09408		
609-416	1	Ball Nut w / balls# w / 0 screw	09705		
609-417	1	Ball Nut Set Screw	09810		
	2 *	<b>Brake Sub-Assembly Key # 609-418 - 609-423</b>	<b>9408807**</b>		
609-418	1	Lost Load Protector	09503		
609-419	1	Lost Load Protector Clevis Pin	09410**		
609-420	2	Lost Load Protector Bushings	09811		
609-421	1	Lost Load Protector Cotter Pin	09840**		
609-422	1	Lost Load Protector Spring	09812		
609-423	3	Lost Load Protector Spring Pin (2unit/ 1 assembly) are part of the Max Assembly	09813**		

Key No.	No. Reqd.	Part Name	Part Number		
			CM Max 120 (0950)	CM Max 200 (0951)	CM Max 300 (0952)
609-424	1	Pocket Wheel Bearing - Control End	09814**		
609-425	1	Center Section	09411		
609-426	5	Cylinder Attaching Screw	09815**		
<b>609-427</b>	<b>1 *</b>	<b>Anti-Rotation Bar Assembly w/rubber pads Contains Key # 609-428</b>	<b>09412</b>		
609-428	2	Anti-Rotation Bearing	09816		
	2	Anti-Rotation Pad	9426308		
	1	Anti-Rotation Bar	9330520		
609-429	1	Control Cover Anti - Rotation Tube	09413P		
609-430	1	Control Cover End Plate	09414		
	1	Single Balance End Plate	09445		
	1	Dual Balance End Plate	9420911		
	1	Tri Balance End Plate	9531202		
609-431	4	Anti-Rotation Guide Screw	09817		
609-432	1	Chain Guide - Load Side	09415**		
609-433	2	Chain Guide Attaching Screw	09818**		
609-434	2	Chain Container Attaching Screw	09819**		
609-435	1 *	<b>Chain Container Assembly</b>	<b>09820**</b>		
609-436	168"	Load Chain (Specify Additional Length if Req'd.)	85990**		
<b>609-446</b>	<b>1A *</b>	<b>Lower Hook Block Assembly Contains 8 parts Key # 609-437 - 609-444</b>	<b>09500**</b>		
	<b>1B *</b>	<b>Latchlok Hook Assembly Contains 9 parts Key # 609-438 - 609-445</b>	<b>1086</b>		
609-437	1A	Hook with Latch	09346		
609-438	1	Hook Block - Drilled	06341		
609-439	1	Hook Block - Tapped	06340		
609-440	1	Hook Nut	986429		
609-441	1	Hook Nut Pin	983793		
609-442	1	Hook Thrust Bearing	87081		
609-443	2	Hook Thrust Washer	87080		
609-444	1	Hook Block Screw	06727		
609-445	1B	Latchlok Hook #	09501		
609-447	1	Latch Kit	132 - P001771		

# Not Sold Separately.

\* Subassemblies are recommended spare parts

\*\* Parts that are common with the Max 500 are noted with a double asterisk.

# CM MAX BALANCER

## MECHANICAL COMPONENTS

### PARTS LIST

Key No.	No. Reqd.	Part Name	Part Number		
			CM Max 120 (0950)	CM Max 200 (0951)	CM Max 300 (0952)
609-448	2	Suspension Screw	09825**		
609-449	2	Suspension Screw Lock Washer	09859**		
609-450	1	Anti - Rotation Bar Attaching Screw	09805**		
	1	Attaching Washer	104 - P000260**		
609-451	1	Warning Label (Not Shown)	09844**		
609-452	1	Capacity Label (Not Shown)	09843	09845	09846
609-453	2	CM Max Label (Not Shown)	09847**		
609-454	1	Identification Label (Not Shown) Serial Tag	09842**		
<b>609-455</b>	<b>1 *</b>	<b>Chain Guide Assembly Loose Side</b>	<b>09430**</b>		
	1	CM Max loose side Chain Guide	9401201		
	1	Roll Pin	P002084		
609-456	2	Shim	09850**		
	1 *	Double Reeving Assembly	0968		
	1	Load Chain Assembly Contains Key #609-436 & #609-446	200113702		

# CM MAX BALANCER

## MAX 500 COMPONENTS (0943)

### PARTS LIST

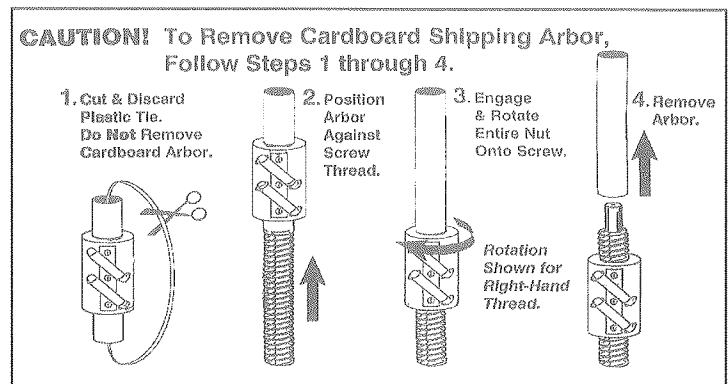
Key No.	No. Reqd.	Part Name	Part Number
			CM Max 500 (0943)
609-478	1	Air Relay for Max 500	P008353
609-412	1	Cylinder Tube	9524007P
609-401	6	M10 1.5 X 325 mm Hex Head Cap Screw	P007192
	1 *	<b>Pocket wheel Assembly *(sold only with ball nut)</b>	<b>200113701</b>
609-415		Pocket Wheel	9524004
609-411		Ball Screw #	9524006
609-414		Ball Bearing	09808
609-417		M08 1.25 X 12 mm Cup Point	09810
609-425	1	Center section	9709212
609-416	1	Ball Nut (sold only with pocket wheel assembly) #	P008307
<b>609-427</b>	<b>1 *</b>	<b>Anti-Rotation Bar Assembly</b>	<b>9524010</b>
609-429	1	Anti-Rotation Tube	9524008P
609-430	1	End Plate	9524009
609-431	1	M16 2.0 X 285 mm Socket Head Cap Bolts	P007170
609-452	1	500# Capacity Tag	P007172
	1 *	<b>Metering Control Assembly For Max 500</b>	<b>9528515</b>
609-486	1	Tube Air Line Max 500	9611402

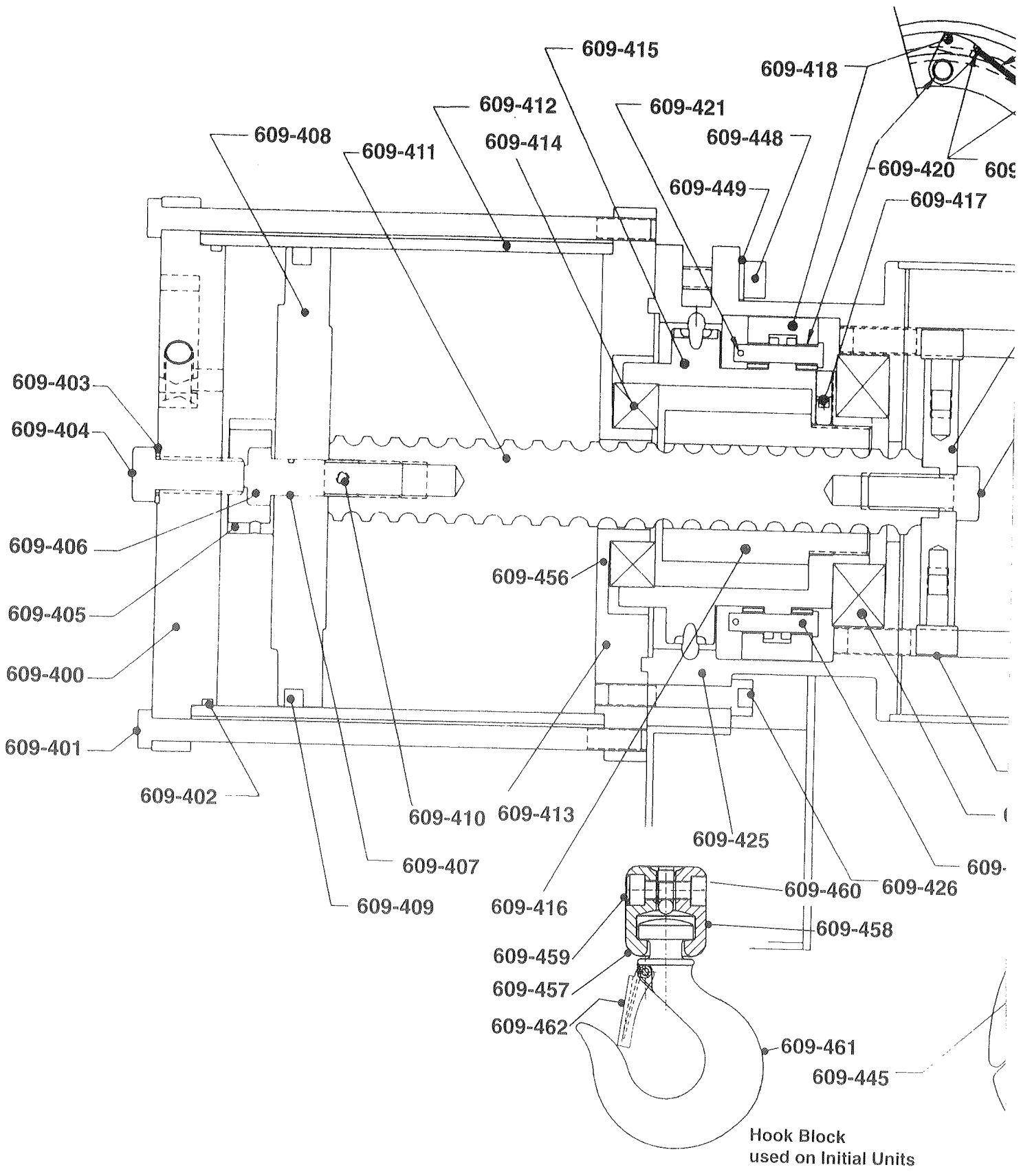
# Not Sold Separately.

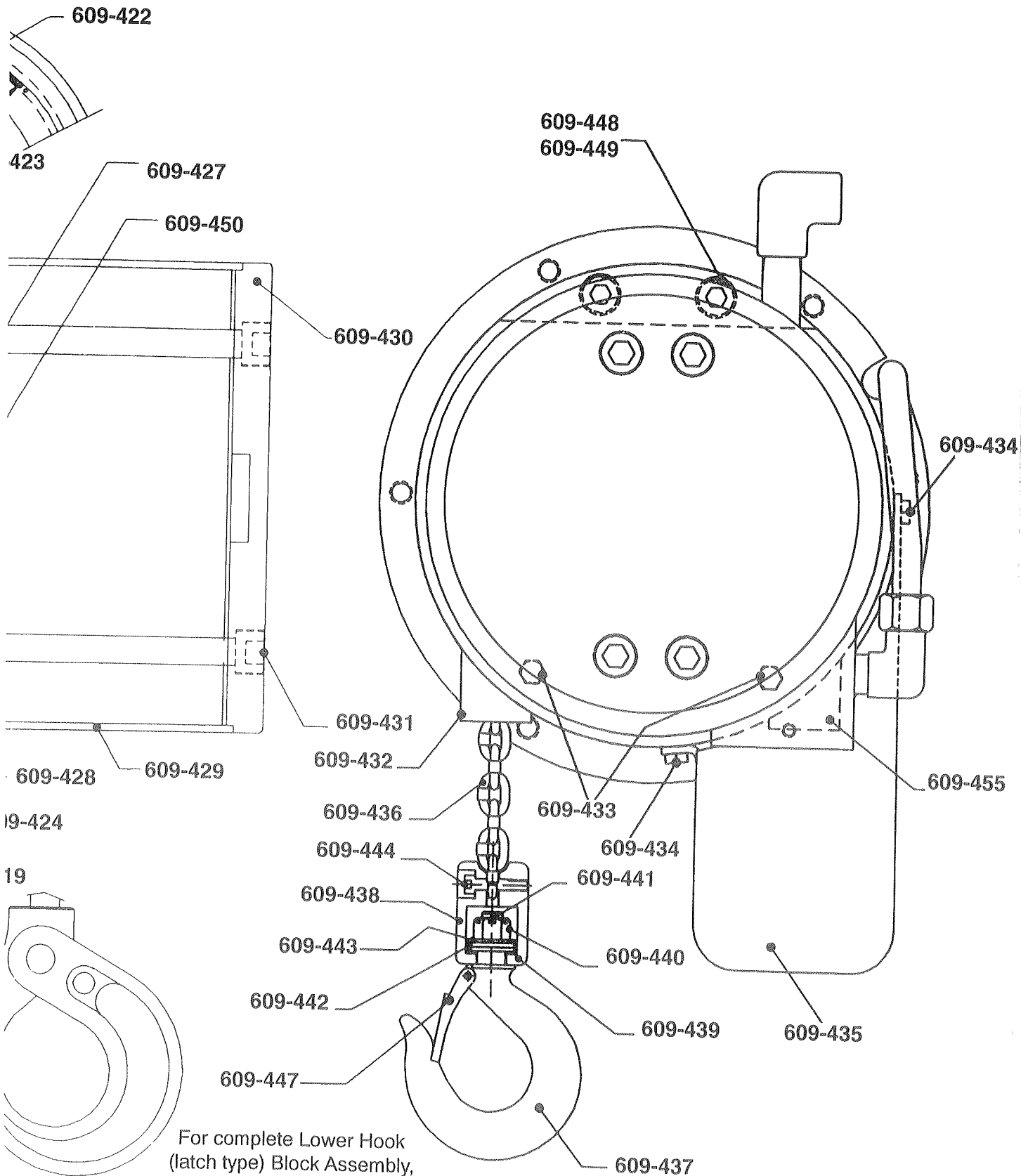
\* Subassemblies are recommended spare parts

\*\* Parts that are common with the Max 500 are noted with a double asterisk.

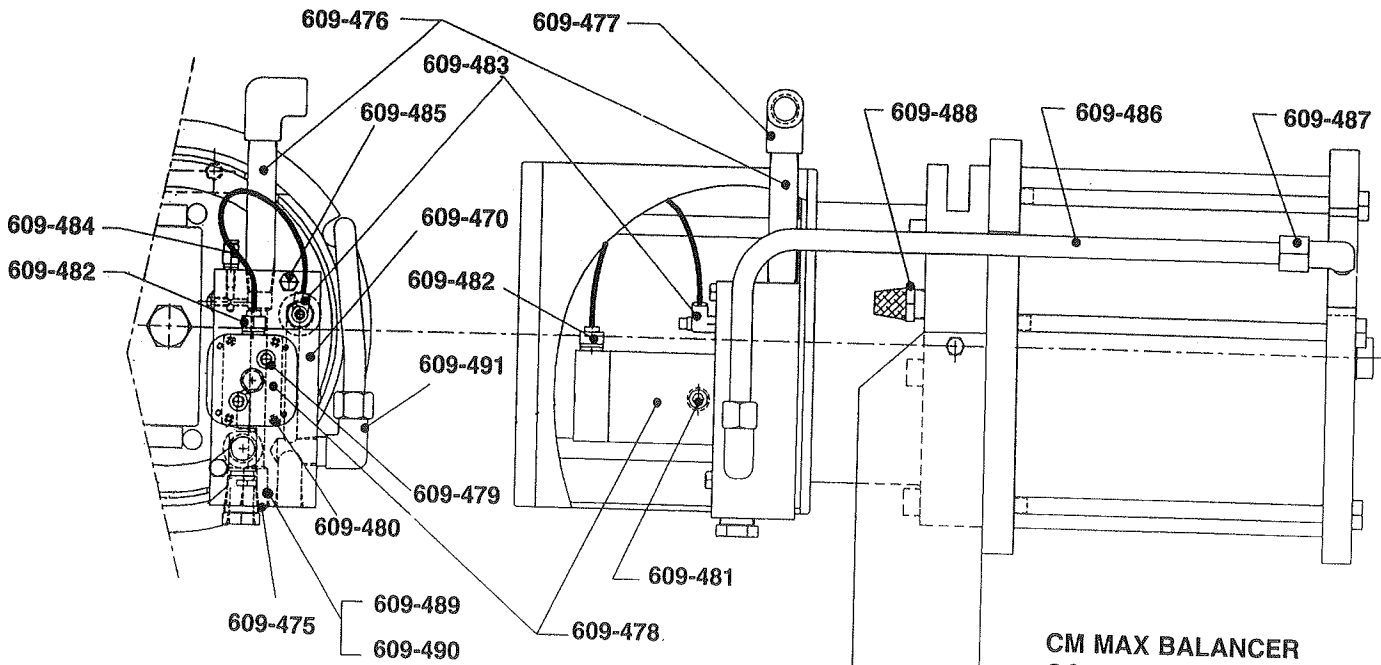
Caution is for Ball nut service & replacement:  
Part #'s 09705 & 9524006



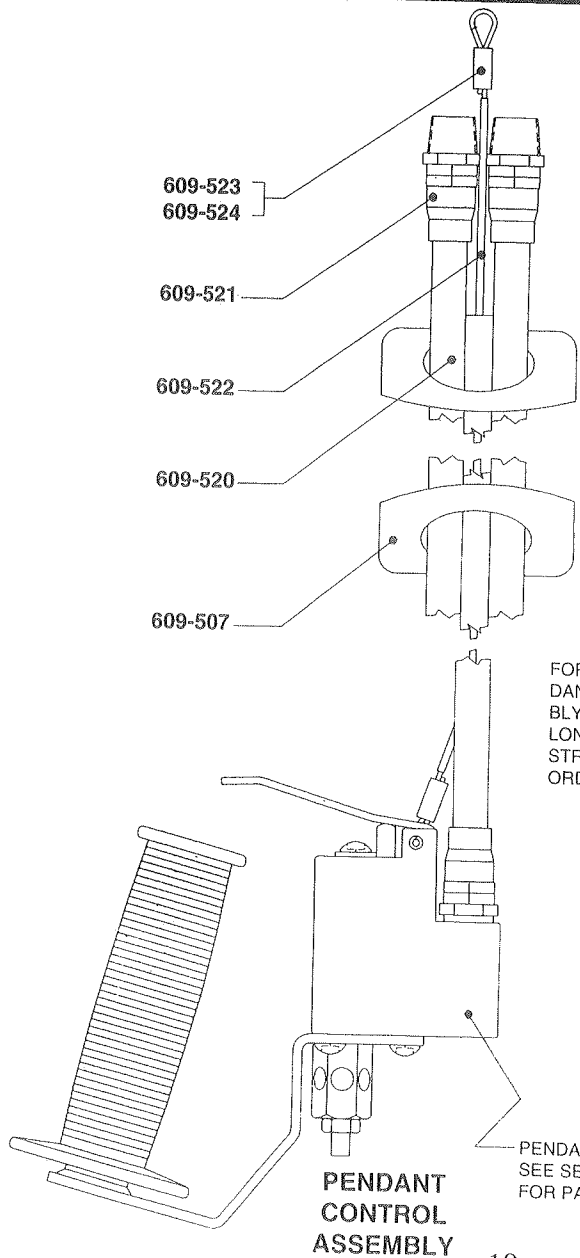




**CM MAX BALANCER  
MECHANICAL COMPONENTS**

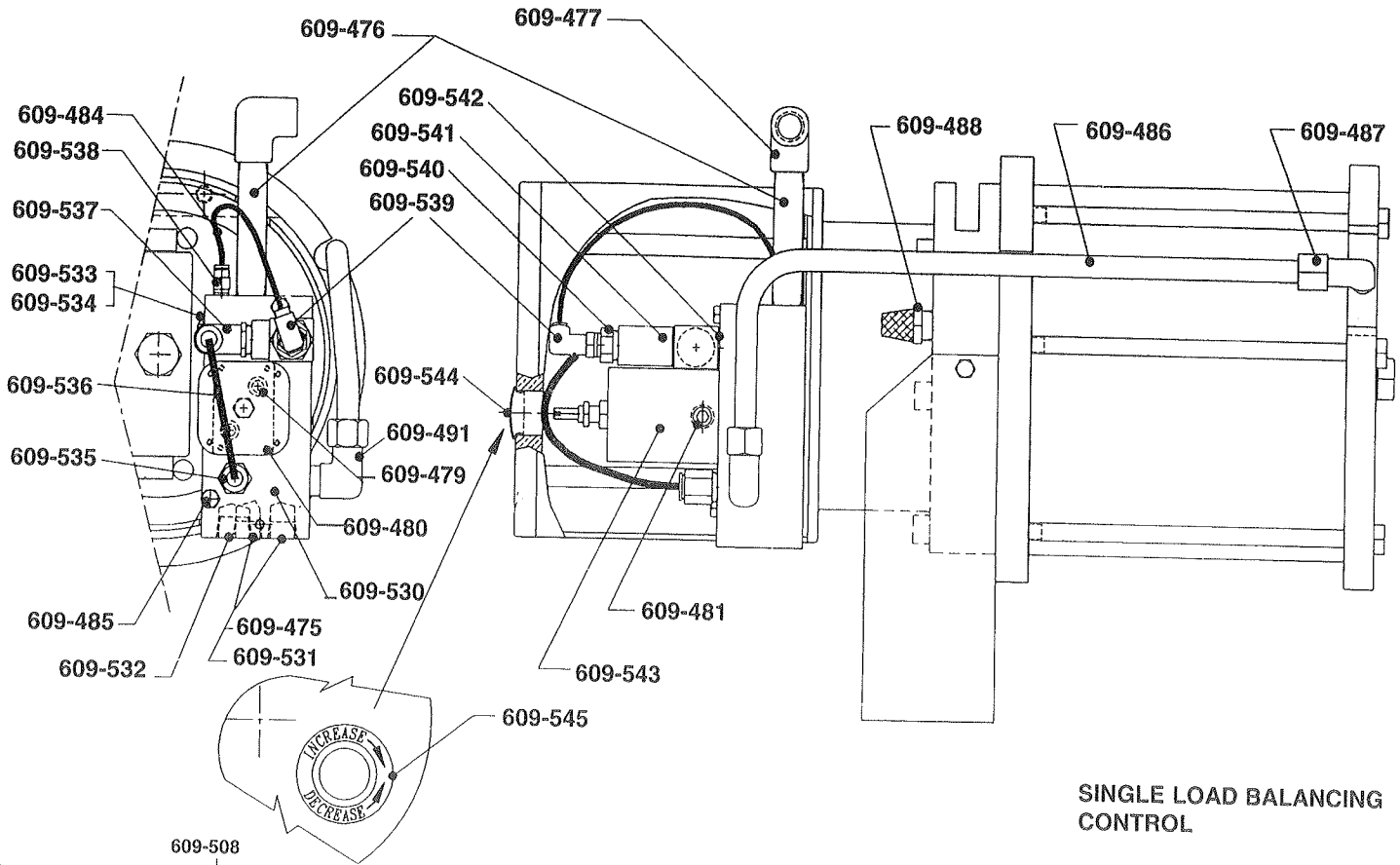


**CM MAX BALANCER  
CONTROL PARTS - UNITS  
WITH PENDANT CONTROL**

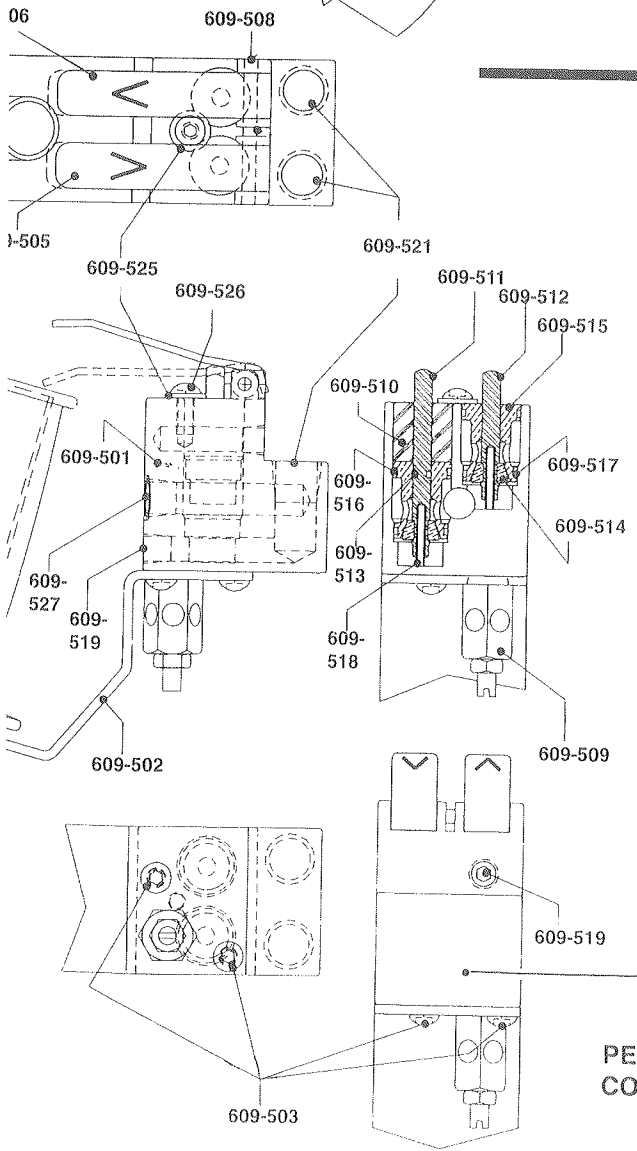


FOR COMPLETE PEN-  
DANT CONTROL ASSEM-  
BLY INCLUDING 8 FOOT  
LONG HOSES AND  
STRAIN RELIEF CABLE  
ORDER KEY NO. 609-500,

**PENDANT  
CONTROL  
ASSEMBLY**



**SINGLE LOAD BALANCING CONTROL**



**CM MAX BALANCER CONTROL COMPONENTS**

**PENDANT CONTROL**

# CM MAX BALANCER

## CONTROL COMPONENTS

### PARTS LIST

Key No.	No. Reqd.	Part Name	Part Number		
			CM Max 120 (0950)	CM Max 200 (0951)	CM Max 300 (0952)
	1 *	Manifold Assembly for Balance	9416103		
	1 *	Manifold Assembly for Dual Balance	9421700		
	1 *	Manifold Assembly for Tri Balance	9531304		
	1 *	Metering Control Assembly Contains Key # 609-474 - 609-491	9408901		
609-474	1	Manifold	09424		
609-475	1	Auxiliary Port/	989050		
	1	Shipping Plug			
609-476	1	Inlet Pipe	09839		
609-477	1	Inlet Elbow	09833		
609-478	1	Control Air Relay	09827		
609-479	2	Relay Seal	09829		
609-480	4	Relay Attaching Screw	09828		
609-481		Relay Plug-included	989053		
609-482	1	Relay Fitting	09830		
609-483	1	Flow Control Valve	09832		
609-484	1	Pilot Line (Specify Length) 7" Balance/ 25" Pendant	09831		
609-485	2	Manifold Attaching Screw	09826		
609-488	1	Muffler	09837		
609-489	1	Strain Cable Attaching Screw	09848		
609-490	1	Strain Cable Attaching Screw Washer	09849		
609-491	1	Air Line Fitting - Manifold	09834		
609-486	1	Air Line	9601600	9601601	9530604
609-487	1	Air Line Fitting	09835	09835	09834**
609-500	1 *	Pendant Control Assembly Complete With 9 ft. Long Hoses 6 Items Key # 609-507, 609-520 - 609-523, & Assembly P006959	00956** ?		
609-507	1	Warning Tag	09841		
609-520	- 108"	Air Line - Specify Length Req'd. - Also Order Key # 609-522	09857		
609-521	4	Air Line Fitting	09858		
609-522	- 126"	Strain Relief Cable - Specify Length Req'd.	09879		

# Not Sold Separately

\* Subassemblies are recommended spare parts

\*\* Parts that are common with the Max 500 are noted with a double asterisk.

Key No.	No. Reqd.	Part Name	Part Number		
			CM Max 120 (0950)	CM Max 200 (0951)	CM Max 300 (0952)
609-523	3	Strain Relief Sleeve	P008036		
609-499		Hand Control Key #609-501 - 609-512 (609-513-519 in 609-511 & 609-512)	09460		
609-501		Valve Block	09428		
609-502	1	Control Handle	09502		
609-503	2	Valve Block Attaching Screw	09848		
609-526	1				
609-525	1	#12 zinc plated washer	09849		
609-504	1	Grip	09747		
609-505	1	Up Lever	09431		
609-506	1	Down Lever	09434		
609-508	1	Lever Pivot Pin	09436		
609-509	1	Speed Control Muffler	09855		
609-510	1	Cartridge Spacer	09437		
609-519	2	Valve Block Plug, 1/8"	989076		
609-527	1	Valve Block Plug, 1/4"	989053		
609-511	1 *	Up Stem Kit Key # 609-513-519	09438		
609-512	1 *	Down Stem Kit Key #609-514-519	09439		
609-513	1	Stem Seal	09851		
609-514	2	Rubber Seal	09440		
609-515	2	Cartridge Body	09441		
609-516	2	Cartridge Seal - Large	09852		
609-517	2	Cartridge Seal - Small	09853		
609-518	2	Stem Spring	09854		
609-530	1	Manifold Block (SLB)	09448		
609-531	2	Control Port Plug, 3/8"	989050		
609-532	1	Label, Balancing	09877		
609-533	1	Hole Seal	09836		
609-534	1	Hole Seal Screw	09856		
609-535	1	High Flow Fitting - Straight	09867		
609-536	-	High Flow Tube - Specify Length Req'd.	09868		
609-537	1	High Flow Fitting - 90°	09869		
609-538	1	Pilot Line Fitting - Straight	09870		
609-539	1	Pilot Line Fitting - 90°	09871		
609-540	1	Reducer	09872		
609-541	1	Check Valve, Pilot Operated	09873		
609-542	1	Check Valve Seal	09874		
609-543	1	Balancing Regulator	09875		
609-544	1	Control End Plate Plug	09876		

# CM MAX BALANCER

## MECHANICAL COMPONENTS

### PARTS LIST

Key No.	No. Reqd.	Part Name	Part Number		
			CM Max 120 (0950)	CM Max 200	CM Max 300
609-400	1	Cylinder Bottom	09402	09416	09420**
609-401	6	Cylinder Tie Bolt 4 for Max 120/6 all others		09804	
609-402	1	Cylinder O-Ring	09801	09809	09821**
609-403	1	Lockout-tagout Bolt Seal		09802**	
609-404	1	Lockout-tagout Bolt		09429**	
609-405	1	Piston Stop		09406	09444**
	1*	<b>Piston Assembly</b> Key # 609-406 & 609-407		<b>9408809**</b>	
609-406	1	Piston Bolt		09407	
609-407	1	Piston Bolt O' ring		09803	
609-408	1	Piston	09403	09419	09421**
609-409	1	Piston U - Cup	09822	09823	09824**
609-411	1	Ball Screw		09807	
609-412	1	Cylinder	09404	09417	09422
609-413	1	Cylinder Head Plate	09405	09418	09423**
	1*	<b>Pocket Wheel Ass'y</b> Key # 609-414 - 609-417		<b>9530603</b>	
609-414	1	Pocket Wheel Bearing - Cylinder End		09808	
609-415	1	Pocket Wheel		09408	
609-416	1	Ball Nut w / balls w / 0 screw		09705	
609-417	1	Ball Nut Set Screw		09810	
	2*	<b>Brake Sub-Assembly</b> Key # 609-418 - 609-423		<b>9408807**</b>	
609-418	1	Lost Load Protector		09503	
609-419	1	Lost Load Protector Clevis Pin		09410**	
609-420	2	Lost Load Protector Bushings		09811	
609-421	1	Lost Load Protector Cotter Pin		09840**	
609-422	1	Lost Load Protector Spring		09812	
609-423	2	Lost Load Protector Spring Pin 2 more are part of the Max Ass'y		09813**	

Key No.	No. Reqd.	Part Name	Part Number		
			CM Max 120 (0950)	CM Max 200 (0951)	CM Max 300 (0952)
609-424	1	Pocket Wheel Bearing - Control End		09814**	
609-425	1	Center Section		09411	
609-426	5	Cylinder Attaching Screw		09815**	
609-427	1*	<b>Anti-Rotation Bar.</b> Ass'y w/ rubber pads Contains Key # 609-428		<b>09412</b>	
609-428	2	Anti-Rotation Roller		09816	
	2	Anti-Rotation Pad		9426308	
	2	Anti-Rotation Bar		9330520	
609-429	1	Control Cover Anti - Rotation Tube		09413	
609-430	1	Control Cover End Plate		09414	
	1	Single Balance End Plate		09445	
	1	Dual Balance End Plate		9420911	
	1	Tri Balance End Plate		9531202	
609-431	4	Anti-Rotation Guide Screw		09817	
609-432	1	Chain Guide - Load Side		09415**	
609-433	2	Chain Guide Attaching Screw		09818**	
609-434	2	Chain Container Attaching Screw		09819**	
609-435	1*	<b>Chain Container Assembly</b>		<b>09820**</b>	
609-436	1	Load Chain (Specify Length Req'd.)		85988**	
609-446	1*	<b>Lower Hook Block</b> Ass'y Contains 8 parts Key # 609-437 - 609-444		<b>09500**</b>	
	1*	<b>Latchlok Hook Ass'y</b> Contains 9 parts Key # 609-437 - 609-445		<b>1086</b>	
609-437	1	Hook with Latch		09346	
609-438	1	Hook Block - Drilled		06341	
609-439	1	Hook Block - Tapped		06340	
609-440	1	Hook Nut		986429	
609-441	1	Hook Nut Pin		983793	
609-442	1	Hook Thrust Bearing		87081	
609-443	2	Hook Thrust Washer		87080	
609-444	1	Hook Block Screw		06727	
609-445	1	Latchlok Hook		09501	
609-447	1	Latch Kit		132 - P001771	

\* Look in "BMSI" on computer for list of components in sub assemblies. Subassemblies are recommended spare parts

\*\* Parts that are common with the Max 500 are noted with a double asterisk.

**CM MAX BALANCER**  
MECHANICAL COMPONENTS  
PARTS LIST

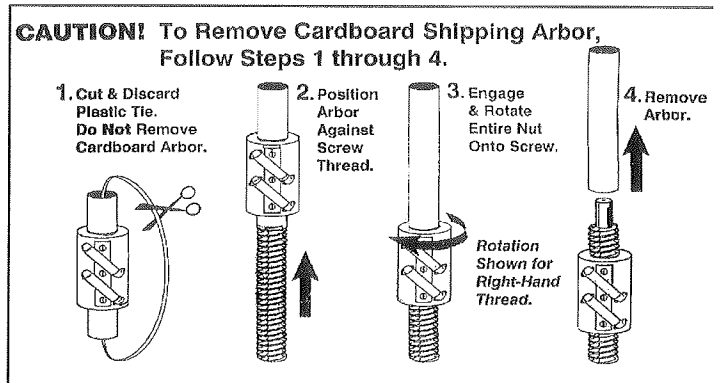
Key No.	No. Reqd.	Part Name	CM	CM	CM
			Max 120 (0950)	Max 200 (0951)	Max 300 (0952)
609-448	2	Suspension Screw	09825**		
609-449	2	Suspension Screw Lock Washer	09859**		
609-450	1	Anti - Rotation Bar Attaching Screw	09805**		
	1	Attaching Washer	104 - P000260**		
609-451	1	Warning Label (Not Shown)	09844**		
609-452	1	Capacity Label (Not Shown)	09843	09845	09846
609-453	2	CM Max Label (Not Shown)		09847**	
609-454	1	Identification Label (Not Shown) Serial Tag	09842**		
609-455	1 *	Chain Guide Ass'y Loose Side	09430**		
	1	CM Max loose side Chain Guide	9401201		
	1	Roll Pin	P002084		
	1 *	Chain Container Assembly	109820		
	1	Eye Bolt	P000290		
	1	Thin Height Nylon Locknut	P000293		
	1	Chain Container	9435702		
609-456	-	Shim - Specify No. Reqd. Usually 2 required	09850**		
	1 *	Double Reeving Ass'y Assembly	0968		

\* Look in "BMSI" on computer for list of components in sub assemblies. Subassemblies are recommended spare parts  
\*\* Parts that are common with the Max 500 are noted with double asterisk.

**CM MAX BALANCER**  
MAX 500 COMPONENTS (0943)  
PARTS LIST

Key No.	No. Reqd.	Part Name	Part Number	
				CM Max 500 (0943)
	1	Air Relay for Max 500	P008353	
	1	Cylinder Tube	9524007	
	6	M10 1.5 X 325 mm Hex Head Cap Screw	P007192	
	1	Pocket Wheel	9524004	
	1	Ball Screw	9524006	
	1	Ball Nut	P008307	
	1	Ball Bearing	09808	
	1	M08 1.25 X 12 mm Cup Point	09810	
	1	Center Section	9709212	
	1 *	Anti-Rotation Bar Assembly	9524010	
	1	Anti-Rotation Tube	9524008	
	1	End Plate	9524009	
	1	M16 2.0 X 285 mm Socket Head Cap Bolts	P007170	
	1	500# Capacity Tag	P007172	
	1 *	Metering Control Ass'y For Max 500	9528515	
	1	Tube Air Line Max 500	9611402	

Caution is for Ball nut service & replacement:  
Part #'s 09705 & 9524006



# CM MAX BALANCER

## CONTROL COMPONENTS

### PARTS LIST

Key No.	No. Reqd.	Part Name	Part Number		
			CM Max 120 (0950)	CM Max 200 (0951)	CM Max 300 (0952)
	1 *	Manifold Assembly for Balance	9416103		
	1 *	Manifold Assembly for Dual Balance	9421700		
	1 *	Manifold Assembly for Tri Balance	9531304		
	1 *	Metering Control Ass'y Contains Key # 609-474 - 609-491	9408901		
609-474	1	Manifold	09424		
609-475	1	Auxiliary Port/ Shipping Plug	989050		
609-476	1	Inlet Pipe	09839		
609-477	1	Inlet Elbow	09833		
609-478	1	Control Air Relay	09827		
609-479	2	Relay Seal	09829		
609-480	4	Relay Attaching Screw	09828		
609-481		Relay Plug-included	989053		
609-482	1	Relay Fitting	09830		
609-483	1	Flow Control Valve	09832		
609-484	1	Pilot Line (Specify Length) 7" Balance/ 25" Pendant	09831		
609-485	2	Manifold Attaching Screw	09826		
609-488	1	Muffler	09837		
609-489	1	Strain Cable Attaching Screw	09848		
609-490	1	Strain Cable Attaching Screw Washer	09849		
609-491	1	Air Line Fitting - Manifold	09834		
609-486	1	Air Line	9601600	9601601	9530604
609-487	1	Air Line Fitting	09835	09835	09834**

Key No.	No. Reqd.	Part Name	Part Number		
			CM Max 120 (0950)	CM Max 200 (0951)	CM Max 300 (0952)
609-500	1 *	Pendant Control Assembly Complete With 9 ft. Long Hoses 6 Items Key # 609-507, 609-520 - 609-523, & Assembly P006959	00956**		
609-507	1	Warning Tag	09841		
609-520	- 108"	Air Line - Specify Length Req'd. - Also Order Key # 609-522	09857		
609-521	4	Air Line Fitting	09858		
609-522	- 126"	Strain Relief Cable - Specify Length Req'd.	09879		
609-523	3	Strain Relief Sleeve	P008036		
609-499		Hand Control Key #609-501 - 609-512 (609-513-519 in	1	09460	609-511
609-501		Valve Block	09428		
609-502	1	Control Handle	09502		
609-503	2	Valve Block Attaching Screw	09848		
609-526	1	#12 zinc plated washer	09849		
609-504	1	Grip	09747		
609-505	1	Up Lever	09431		
609-506	1	Down Lever	09434		
609-508	1	Lever Pivot Pin	09436		
609-509	1	Speed Control Muffler	09855		
609-510	1	Cartridge Spacer	09437		
609-511	1 *	Up Stem Kit Key # 609-513-519	09438		
609-512	1 *	Down Stem Kit Key #609-514-519	09439		
609-513	1	Stem Seal	09851		
609-514	2	Rubber Seal	09440		
609-515	2	Cartridge Body	09441		
609-516	2	Cartridge Seal - Large	09852		
609-517	2	Cartridge Seal - Small	09853		
609-518	2	Stem Spring	09854		
609-519	2	Valve Block Plug, 1/8"	989076		
609-527	1	Valve Block Plug, 1/4"	989053		

# Not Sold Separately  
 \* Subassemblies are recommended spare parts  
 \*\* Parts that are common with the Max 500 are noted with double asterisk.