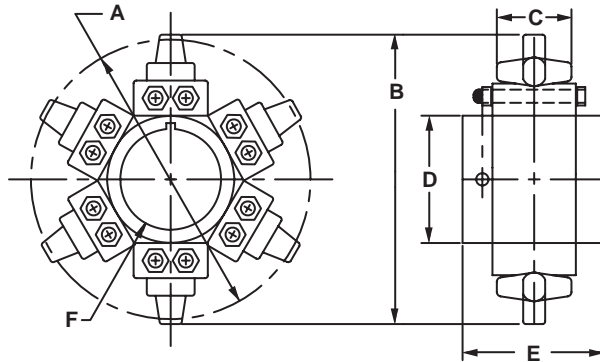
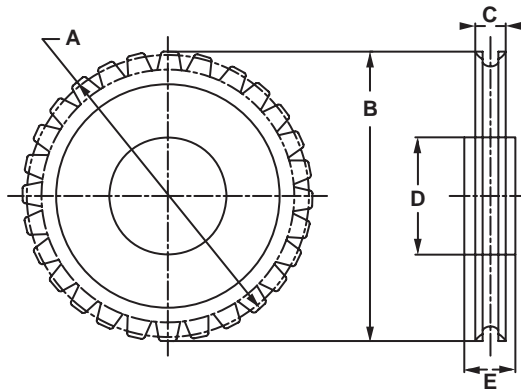


Drive Sprocket - Replaceable Teeth



Chain Size	Number of Teeth	A	B	C	D	E (Diameter)	F
Imperial							
mm.		in.	in.	in.	in.	in.	in.
14 x 50	6	7.520	8.190	1.690	3.250	3.500	2.188
14 x 50	16	20.050	21.350	1.690	6.000	3.500	2.438

Cast Drive Sprocket



Chain Size	Number of Pockets	A (Diameter)	B (Diameter)	C	D (Diameter)	E	Weight
Imperial							
in.		in.	in.	in.	in.	in.	lb.
14 x 50	7	8.770	9.620	1.880	-	-	23.0
0.375 x 1.012	15	9.660	10.320	1.500	4.250	2.750	25.0
	20	12.890	13.520	1.500	4.500	2.750	38.0