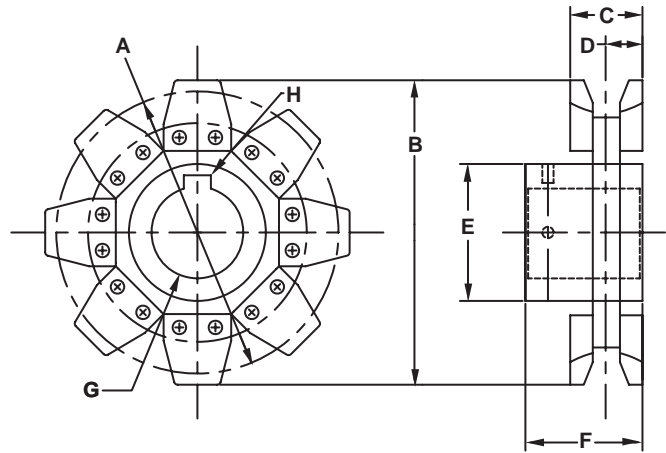


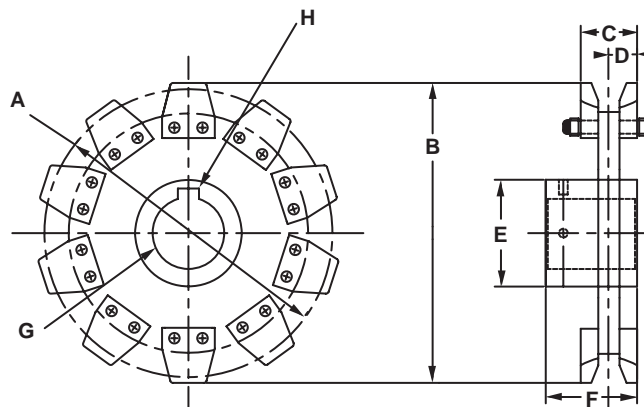
Specialty Chain Drive Sprockets

Drive Sprocket Welded on Pocket



| Chain Size | Number of Pockets | A | B | C | D | E (Diameter) | F | G (Diameter) | H |
|-----------------|-------------------|-------|-------|------|------|--------------|------|--------------|-------------|
| Imperial | | | | | | | | | |
| mm. | | in. | in. | in. | in. | in. | in. | in. | in. |
| 14 x 50 | 8 | 10.06 | 11.51 | 2.00 | 1.00 | 3.38 | 3.38 | 1.938 | 1/2 X 1/4 |
| | 10 | 12.56 | 14.00 | 2.00 | 1.00 | 6.00 | 3.53 | 3.438 | 7/8 X 7/16 |
| | 13 | 16.32 | 17.70 | 2.00 | 1.00 | 8.25 | 3.03 | 3.438 | 7/8 X 7/16 |
| 18 x 64 | 8 | 12.83 | 14.50 | 2.50 | 1.25 | 6.00 | 4.25 | 2.750 | 5/8 X 5/16 |
| | 10 | 16.04 | 17.69 | 2.50 | 1.25 | 8.25 | 4.16 | 4.000 | 1 X 1/2 |
| 22 x 86 | 8 | 17.24 | 19.50 | 3.00 | 1.50 | 7.44 | 5.25 | 4.938 | 1-1/4 X 5/8 |
| | 10 | 21.56 | 23.75 | 3.00 | 1.50 | 11.00 | 6.50 | 6.000 | 1-1/2 X 3/4 |

Drive Sprocket - Replaceable Pocket Segments



| Chain Size | Number of Pockets | A | B | C | D | E (Diameter) | F | G (Diameter) | H |
|-----------------|-------------------|--------|--------|-------|-------|--------------|-------|--------------|---------------|
| Imperial | | | | | | | | | |
| mm. | | in. | in. | in. | in. | in. | in. | in. | in. |
| 14 x 50 | 13 | 16.320 | 17.700 | 2.000 | 1.000 | 7.000 | 3.380 | 3.938 | 1 X 1/2 |
| 18 x 64 | 8 | 12.830 | 14.500 | 2.500 | 1.250 | 7.000 | 4.160 | 3.438 | 7/8 X 7/16 |
| 22 x 86 | 10 | 21.560 | 23.750 | 3.000 | 1.500 | 11.000 | 6.500 | 6.000 | 1-1/2 X 3/4 |
| 26 x 92 | 10 | 23.060 | 25.620 | 3.750 | 1.880 | 11.500 | 7.500 | 7.500 | 1-3/4 X 1-1/2 |