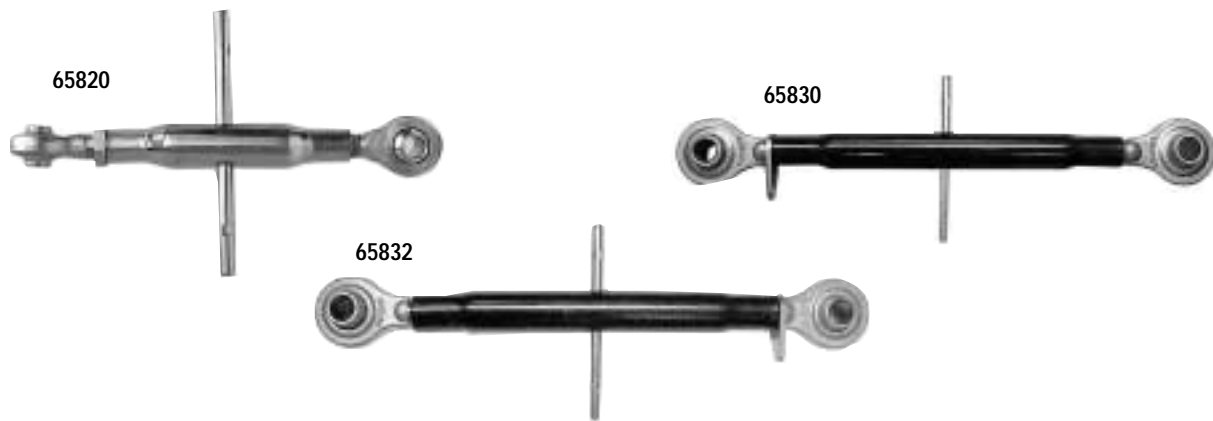


Top Links - Forged-AgWorks™

Description	Part Number	UPC 024595-	ASAE 209 Category (See pg. 8)	Pin Holes (In.)	Thread Dia. (in.)	Overall Body (In.)	Forged Hole Ctrs. (In.)	Std. Pack	Approx. Wt. Ea. (lbs.)
Standard Top Link	65820	65820-0	0	5/8	3/4	7 1/2	10 3/4...16 3/8	1	2.9
Standard Forged Top Link	65821	65821-7	1	3/4	1 1/8	13	17 1/2...26	1	7.7
Standard Forged Top Link	65822	65822-4	1	3/4	1 1/8	16	20 1/2...29	1	8.4
Economy Forged Top Link	65823	65823-1	1	3/4	1 1/8	16	20 1/2...29	1	7.6
Standard Forged Top Link	65824	65824-8	1	3/4	1 1/8	20	24 1/2...33	1	9.1
Standard Forged Top Link	65825	65825-5	1 & 2	3/4	1 1/8	16	20 3/4...31	1	9.4
Standard Forged Top Link	65826	65826-2	1 & 2	3/4	1 1/8	20	24 3/4...35	1	10.1
Standard Forged Top Link	65827	65827-9	2	1	1 1/8	13	18...27 3/4	1	9.1
Standard Forged Top Link	65829	65829-3	2	1	1 1/8	16	21...33	1	10.4
Economy Forged Top Link	65830	65830-9	2	1	1 1/8	16	21...33	1	9.8
Standard Forged Top Link	65831	65831-6	2	1	1 1/8	20	25...37	1	11.1
HD Forged Top Link	65832	65832-3	2	1	1 1/4	15	20 1/2...31 1/2	1	14.9
HD Forged Top Link	65833	65833-0	2	1	1 1/4	19	24 1/2...35 1/2	1	15.9
HD Forged Top Link	65834	65834-7	3	1 1/4	1 3/8	19	25 1/2...36 1/2	1	23.0
Std Forged Top Link	65835	65835-4	1 & 2			Adjusting Rod		1	.5
Std Forged Top Link	65836	65836-1	1 & 2		1 1/8	Adjustable Locking Collar			.2



Top Link Replacement Ends-AgWorks™

Description	Part Number	UPC 024595-	ASAE 209 Category (See pg. 8)	Pin Holes Dia. (In.)	Thread Dia. (In.)	Standard Pack	Approx. Wt. Ea. (lbs.)
LH Forged Top Link Replacement Ends	65840	65840-8	1	3/4	1 1/8	5	2.4
RH Forged Top Link Replacement Ends	65841	65841-5	1	3/4	1 1/8	5	2.4
LH Forged Top Link Replacement Ends	65842	65842-2	2	1	1 1/8	5	3.0
RH Forged Top Link Replacement Ends	65843	65843-9	2	1	1 1/8	5	3.0
HD Forged LH Top Link Replacement Ends	65844	65844-6	2	1	1 1/4	1	5.5
HD Forged RH Top Link Replacement Ends	65845	65845-3	2	1	1 1/4	1	5.5
HD Forged LH Top Link Replacement Ends	65846	65846-0	3	1 1/4	1 3/8	1	5.5
HD Forged RH Top Link Replacement Ends	65847	65847-7	3	1 1/4	1 3/8	1	5.5

1-800-756-6656