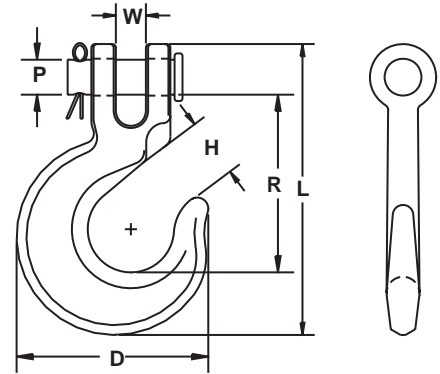


## G30 Clevis Slip Hook



- Designed to be used with grade 30 chain
- Heat treated pins
- Hooks are heat treated and tempered
- Hooks are embossed with chain grade, fraction size and country of origin (USA)
- Hooks embossed with a trace code
- Ultimate strength equals 3 times the working load limit, matching NACM specifications
- Not to be used for overhead lifting

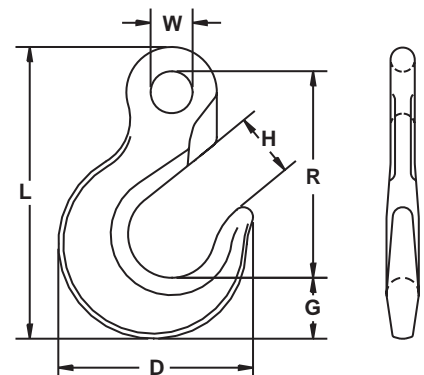


| Size            | Working Load Limit | Product Code (Zinc) | Dimensions |      |      |      |      |      | Weight |      |
|-----------------|--------------------|---------------------|------------|------|------|------|------|------|--------|------|
|                 |                    |                     | W          | D    | H    | L    | R    | P    |        |      |
| <b>Imperial</b> |                    |                     |            |      |      |      |      |      |        |      |
| in.             | lb.                |                     | in.        | in.  | in.  | in.  | in.  | in.  | in.    | lb.  |
| 1/4             | 1,300              | 66191               | 0.36       | 2.33 | 0.72 | 2.27 | 2.32 | 0.31 |        | 0.35 |
| 5/16            | 1,900              | 66291               | 0.42       | 2.72 | 0.77 | 4.13 | 2.56 | 0.38 |        | 0.63 |
| 3/8             | 2,650              | 66391               | 0.50       | 3.20 | 0.86 | 4.81 | 3.04 | 0.44 |        | 1.02 |
| 1/2             | 4,500              | 66591               | 0.61       | 4.16 | 1.12 | 6.31 | 4.15 | 0.55 |        | 2.27 |

## G30 Eye Slip Hook



- Designed to be used with grade 30 chain
- Heat treated pins
- Hooks are heat treated and tempered
- Hooks are embossed with chain grade, fraction size and country of origin (USA)
- Hooks embossed with a trace code
- Ultimate strength equals 3 times the working load limit, matching NACM specifications
- Not to be used for overhead lifting



| Size            | Working Load Limit | Product Code (Zinc) | Dimensions |      |      |      |      |      | Weight |      |
|-----------------|--------------------|---------------------|------------|------|------|------|------|------|--------|------|
|                 |                    |                     | W          | D    | H    | L    | R    | G    |        |      |
| <b>Imperial</b> |                    |                     |            |      |      |      |      |      |        |      |
| in.             | lb.                |                     | in.        | in.  | in.  | in.  | in.  | in.  | in.    | lb.  |
| 3/16-1/4        | 1,300              | 75191               | 0.53       | 2.47 | 0.81 | 3.69 | 2.61 | 0.81 |        | 0.38 |
| 5/16            | 1,900              | 75291               | 0.69       | 2.88 | 0.83 | 3.98 | 2.70 | 0.91 |        | 0.57 |
| 3/8             | 2,650              | 75391               | 0.75       | 3.25 | 0.92 | 4.56 | 3.17 | 1.13 |        | 0.83 |
| 7/16            | 3,700              | 75491               | 0.91       | 3.73 | 1.23 | 5.56 | 3.64 | 1.31 |        | 1.38 |
| 1/2             | 4,500              | 75591               | 1.03       | 4.25 | 1.30 | 6.13 | 4.20 | 1.50 |        | 1.95 |
| 5/8             | 6,900              | 75691               | 1.28       | 5.23 | 1.69 | 7.41 | 5.11 | 1.81 |        | 3.72 |