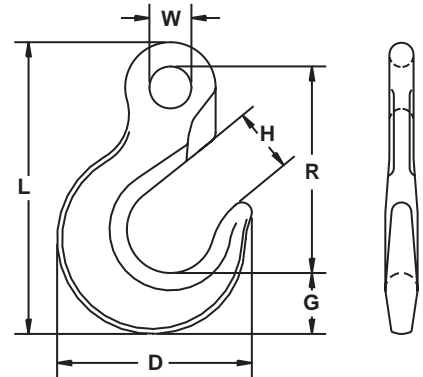


Carbon Chain G43 Slip Hooks

G43 Eye Slip Hook (Zinc)



- Heat treated pins
- Hooks are heat treated and tempered
- Designs' ultimate strength equals 3 times working load limit, matching NACM specifications
- Hook embossed with trace code providing traceability through manufacturing and testing process to heat of steel
- Not to be used for overhead lifting

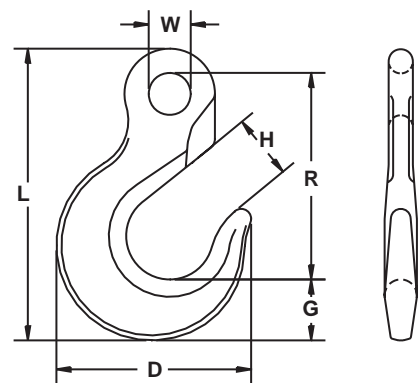


Size	Working Load Limit	Product Code (Zinc)	Dimensions						Weight
			W	D	H	L	R	G	
Imperial									
in.	lb.		in.	in.	in.	in.	in.	in.	lb.
1/4	2,600	75193	0.53	2.47	0.81	3.69	2.61	0.81	0.38
5/16	3,900	75293	0.69	2.88	0.83	3.98	2.70	0.91	0.57
3/8	5,400	75393	0.75	3.25	0.92	4.56	3.17	1.13	0.83
7/16	7,200	75493	0.91	3.73	1.23	5.56	3.64	1.31	1.38
1/2	9,200	75593	1.03	4.25	1.30	6.13	4.20	1.50	1.95
5/8	13,000	75693	1.28	5.23	1.69	7.41	5.11	1.81	3.72
3/4	20,200	75793	1.36	6.28	1.98	8.88	6.00	2.34	3.72

G43 Eye Slip Hook (Red)



- Heat treated pins
- Hooks are heat treated and tempered
- Designs' ultimate strength equals 3 times working load limit, matching NACM specifications
- Hook embossed with trace code providing traceability through manufacturing and testing process to heat of steel
- Not to be used for overhead lifting



Size	Working Load Limit	Product Code (Red)	Dimensions						Weight
			W	D	H	L	R	G	
Imperial									
in.	lb.		in.	in.	in.	in.	in.	in.	lb.
1/4	2,600	75192	0.53	2.47	0.81	3.69	2.61	0.81	0.38
5/16	3,900	75292	0.69	2.88	0.83	3.98	2.70	0.91	0.57
3/8	5,400	75392	0.75	3.25	0.92	4.56	3.17	1.13	0.83
7/16	7,200	75492	0.91	3.73	1.23	5.56	3.64	1.31	1.38
1/2	9,200	75592	1.03	4.25	1.30	6.13	4.20	1.50	1.95
5/8	13,000	75692	1.28	5.23	1.69	7.41	5.11	1.81	3.72
3/4	20,200	75792	1.36	6.28	1.98	8.88	6.00	2.34	3.72