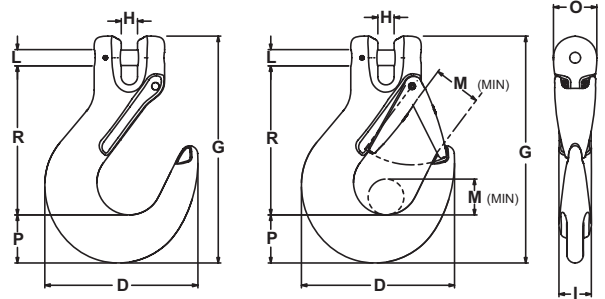


Clevlok Sling Hook



- Fraction and metric markings
- Fatigue rated to Grade 100 specifications
- Fits Grade 80 and Grade 100 chain
- New "I" beam body
- 100% proof tested
- Improved forged latch
- New CE compliant hooks and latches
- Meets EN 1677

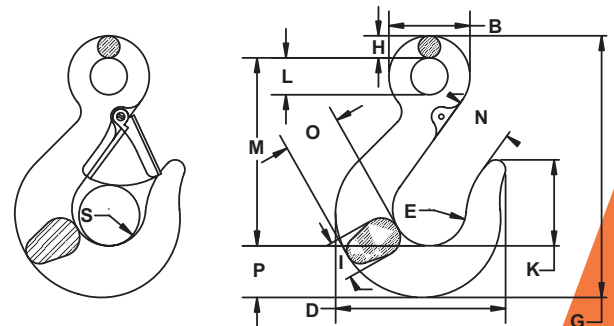


Size	Working Load Limit	Product Code w/ latch	Product Code w/o latch	Latch Kit	Dimensions									Weight w/o latch
					D	G	H	I	L	M	O	P	R	
Imperial														
in.	lb.				in.	in.	in.	in.	in.	in.	in.	in.	in.	in.
9/32	4,300	657718	557718	4X455322	3.53	5.23	0.38	0.75	0.36	0.83	1.00	1.11	3.44	1.20
3/8	8,800	657719	557719	4X455325	4.38	6.53	0.47	0.97	0.51	1.06	1.16	1.36	4.32	2.21
1/2	15,000	657720	557720	4X455328	5.48	8.03	0.58	1.18	0.63	1.38	1.50	1.61	5.35	4.22
5/8	22,600	657721	557721	4X455329	6.20	8.43	0.71	1.44	0.75	1.69	1.74	1.92	6.12	6.64
3/4	35,300	657722	553722	4X455330	7.09	10.80	0.88	1.81	0.94	2.09	2.00	2.08	7.25	11.22

Eye Sling Hook



- Fraction and metric markings
- Available with or without latch
- Painted gray for easy Grade 100 identification
- 100% proof tested
- Fatigue rated to Grade 100 specifications
- For welded 7/32" Chain Sling use 9/32" Eye Hook



Size	Working Load Limit	Product Code w/ latch	Product Code w/o latch	Latch Kit	Dimensions												Weight	
					B	D	E	G	H	I	K	L	M	N	O	P		S
Imperial																		
in.	lb.				in.	in.	in.	in.	in.	in.	in.	in.	in.	in.	in.	in.		
9/32	4,300	558622	458622	595523	1.63	3.50	1.50	5.25	0.44	0.73	1.59	0.75	3.75	1.19	1.20	1.05	1.06	1.1
3/8	8,800	558625	458625	595525	2.06	4.33	1.88	6.64	0.56	0.95	2.19	0.94	4.78	1.44	1.45	1.28	1.31	1.9
1/2	15,000	558628	458628	595528	2.63	5.50	2.25	8.16	0.75	1.17	2.56	1.13	5.69	1.78	1.94	1.66	1.63	4.5
5/8	22,600	558629	458629	595529	3.06	6.34	2.63	9.66	0.88	1.44	2.63	1.31	6.50	2.03	2.38	2.19	1.75	7.3
3/4	35,300	558630	458630	595530	3.50	7.83	3.00	11.38	1.00	1.69	3.44	1.50	7.81	2.50	2.83	2.51	2.19	11.4