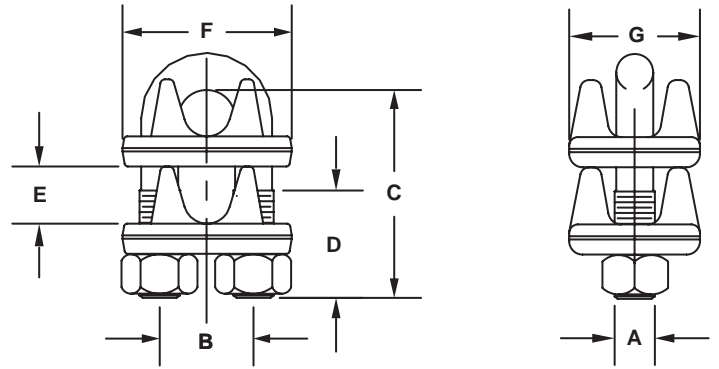


Piggyback Wedge Socket Clips



Size	Product Code	Saddle	U-Bolt	Dimensions							Heavy Hex Nut galv.	Torque	Min. Tail	Weight
				A	B	C	D	E	F	G				
Imperial														
in.				in.	in.	in.	in.	in.	in.	in.		ft./lb.	in.	lb.
3/8	M248D	1X248	2X248L	7/16-14UNC	1.00	2.38	1.00	0.53	1.94	1.62	602224	45	6	0.8
7/16	M249D	1X249	2X250L	1/2-13UNC	1.19	2.62	1.00	0.66	2.31	1.78	602225	65	6	1.3
1/2	M250D	1X250	2X250L	1/2-13UNC	1.19	2.62	1.00	0.72	2.31	1.91	602225	65	6	1.4
9/16	M296D	1X296	2X251L	9/16-12UNC	1.31	3.19	1.25	0.77	2.50	1.97	602226	95	6	1.7
5/8	M251D	1X251	2X251L	9/16-12UNC	1.31	3.19	1.25	0.81	2.50	2.00	602226	95	6	1.7
3/4	M252D	1X252	2X252L	5/8-11UNC	1.50	3.50	1.50	0.91	2.81	2.34	602227	130	6	2.5
7/8	M253D	1X253	2X253L	3/4-10UNC	1.75	3.88	2.00	1.07	3.16	2.44	602228	225	6	3.6
1	M254D	1X254	2X254L	3/4-10UNC	1.88	4.25	2.00	1.22	3.47	2.62	602228	225	6	3.9
1-1/8	M255D	1X255	2X255L	3/4-10UNC	2.00	4.50	2.00	1.31	2.59	2.81	602228	225	6-3/4	4.9
1-1/4	M256D	1X256	2X256L	7/8-9UNC	2.31	5.25	2.38	1.50	4.22	3.18	602246	360	7-1/2	6.5
1-3/8	M257D	1X257	2X257L	7/8-9UNC	2.38	5.62	2.38	1.56	4.25	3.08	602246	360	8-1/4	7.1
1-1/2	M258D	1X258	2X258L	7/8-9UNC	2.59	6.00	2.38	1.75	4.47	3.41	602246	360	9	8.2

Proper use of PiggyBack Wedge Socket Clips

1. Dead end wire rope tail length should be at least 6 rope diameters, but not less than 6 inches beyond the wedge socket. Figure 1.
2. Apply U-bolt and first saddle on dead end rope and the second saddle on live end rope. Install nuts. Figure 1 & 2
3. Position the dual saddle clip so that 3 to 4 inches of dead end rope remain beyond the clip. Figures 1 & 2.
4. Tighten nuts evenly. Alternate tightening each nut until reaching the required torque specified. Figure 2.
5. Check that clip does not pinch or clamp the live wire rope. Apply an initial test load equal to the loads expected in regular use. Be certain rope is secured properly in the wedge socket prior to any use.
6. Inspect for proper rope alignment with wedge socket and retighten the nuts to the specified torque.

