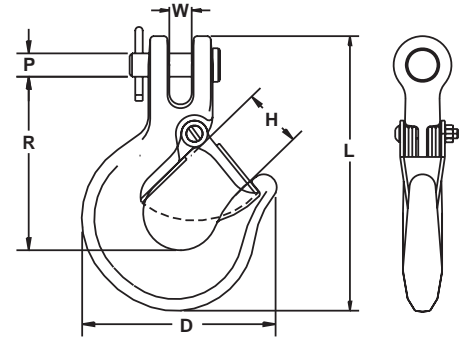


## G70 Clevis Slip Hook



- Meets ASTM & NACM standards
- Designed specifically for transport grade 70 chain
- 4:1 design factor
- Hook embossed with trace code providing traceability throughout the manufacturing and testing process to heat of steel

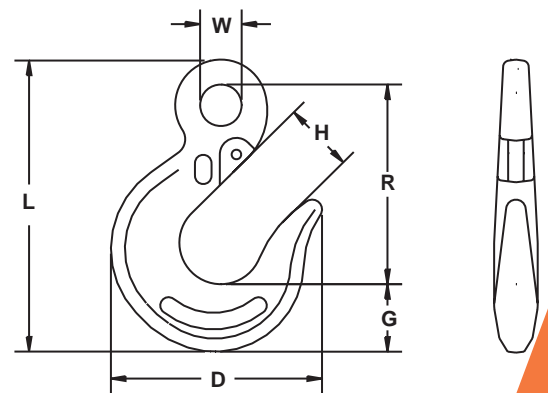


Size	Working Load Limit	Product Code	Dimensions						Weight	
			W	D	H	L	R	P		
<b>Imperial</b>										
in.	lb.		in.	in.	in.	in.	in.	in.	in.	lb.
<b>With Latch</b>										
5/16	4,700	6905AWL	0.38	3.25	0.94	4.62	2.91	0.39		0.96
3/8	6,600	6906AWL	0.45	3.87	1.00	5.42	3.39	0.49		1.66
<b>Without Latch</b>										
5/16	4,700	M6905A	0.38	3.25	1.06	4.62	2.91	0.39		0.75
3/8	6,600	M6906A	0.45	3.87	1.24	5.42	3.39	0.49		1.25

## G70 Eye Slip Hook



- Meets ASTM & NACM standards
- Designed specifically for transport grade 70 chain
- 4:1 design factor
- Hook embossed with trace code providing traceability throughout the manufacturing and testing process to heat of steel



Size	Working Load Limit	Product Code	Dimensions						Weight	
			W	D	H	L	R	G		
<b>Imperial</b>										
in.	lb.		in.	in.	in.	in.	in.	in.	in.	lb.
1/4	3,150	M6304	0.53	2.69	0.90	3.79	2.60	0.88		0.45
5/16	4,700	M6305	0.63	3.19	1.05	4.41	3.00	1.03		0.58
3/8	6,600	M6306	0.78	3.75	1.22	5.38	3.72	1.25		1.40
7/16	8,750	M6307	0.81	4.33	1.46	5.75	3.91	1.38		1.50