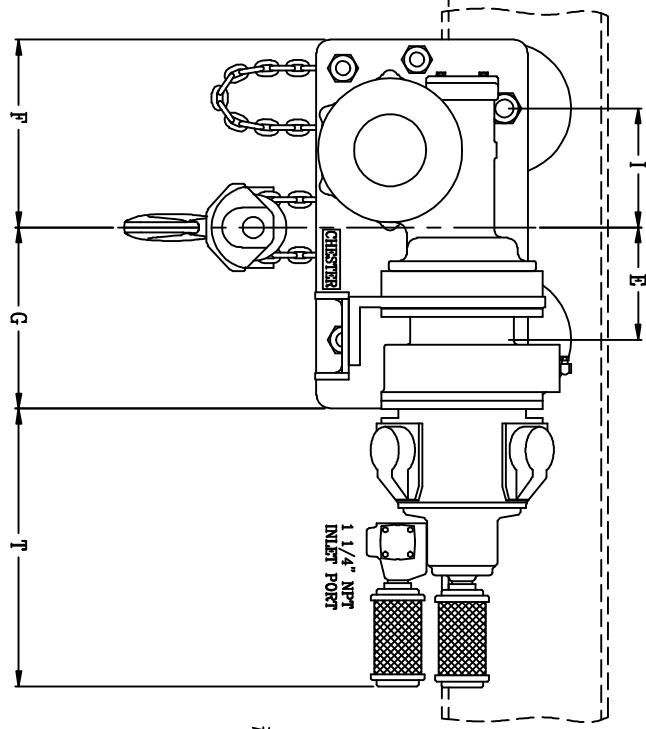
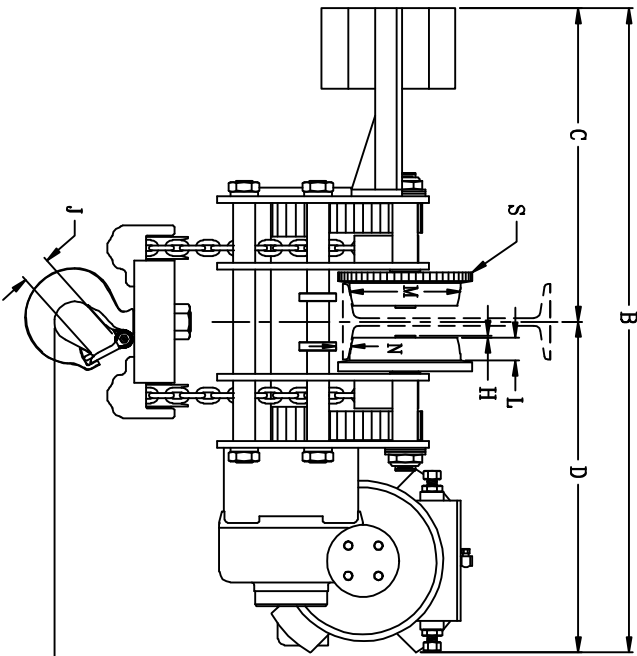


SPARK RESISTANT
 -BRONZE HOOK
 -STAINLESS STEEL CHAIN

PC# 1 NO. REQ. 1



* A	14 13/16"
B	48 3/16"
C	23 3/8"
D	24 13/16"
E	8 3/8"
F	14"
G	13 1/2"
H	3 1/16"
I	8 7/8"
J	3"
L	1 11/16"
M	8 1/4"
N	1"
R	xx
S	10"
T	20 11/16"

* TO WHEEL RUNNING SURFACE OF BEAM
 # TO UNDER BEAM ROLLER - (CLOSEST POINT OF CONTACT)
 CUSTOMER MUST TAKE INTO CONSIDERATION FLANGE WIDTH AND THICKNESS OF BEAM
 DIMENSIONS SHOWN ARE CORRECT FOR ANY "S" OR "W" BEAM, PLAIN, HAND GEARED OR MOTORIZED TROLLEY.
 NOTE: THIS UNIT OPERATES ONLY ON THE BEAM SPECIFIED

6 TON AIR LOW HEADROOM HOIST

CHESTER HOIST
 LISBON, OHIO

DR. MAM	TR.	CK.	AP.
SCALE	NONE	DATE	8/29/08

REF. DWG. NO.

Dwg. No. C-49035

MR.	REVISIONS	CR-DATE