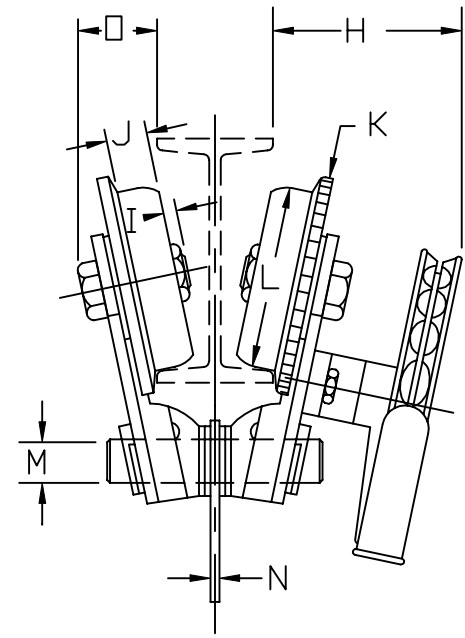
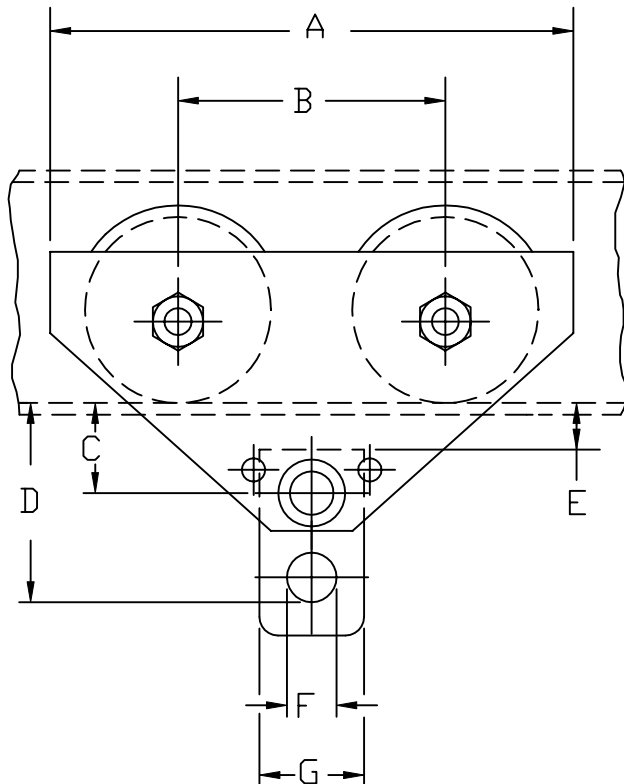


- A 13 1/2"
- B 7 1/4"
- *C 3 1/16"
- *D 6 3/4"
- *E 1 1/2"
- F 2"
- G 3 1/2"
- **H 8 1/4"
- I 0"
- J 1 7/64" Tread width
- K 6" Flange O.D.
- L 4 1/2" Tread O.D.
- M 1 1/4"
- N 5/8"
- O 2 11/16"



* To wheel running surface of beam.
 ** "H" applies to geared units only - For plain units o Dim. is the same for both sides of trolley.
 THIS UNIT IS ADJUSTABLE FROM S6" TO S18"X54.7# BEAM
 CUSTOMER MUST TAKE INTO CONSIDERATION FLANGE WIDTH AND THICKNESS.

			1 1/2 & 2 TON PT TROLLEY	DR. RLB	TR.	CK.	AP.
				SCALE NONE		DATE 6-19-00	
			CHESTER HOIST	REF. DWG. NO. 2TONPT			
			LISBON, OHIO	Dwg. No. CD003			
MK.	REVISIONS	CK-DATE					