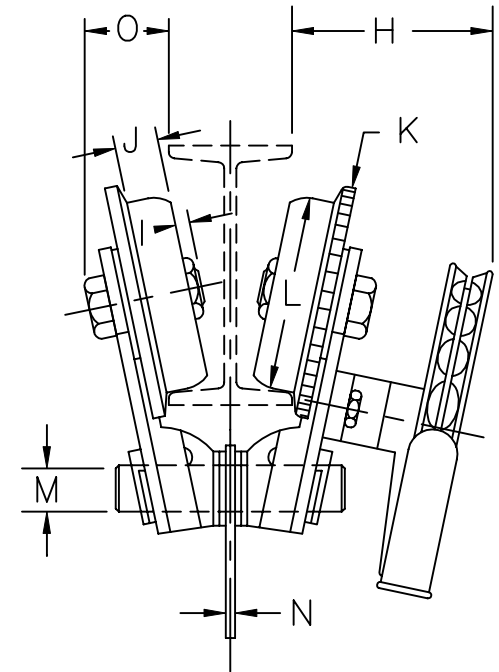
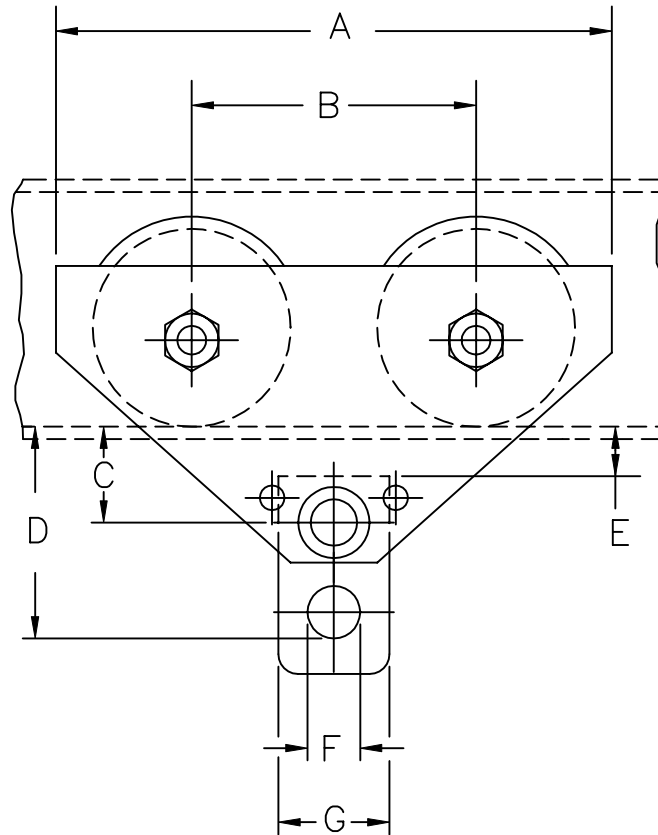


- A 23 3/4"
- B 12"
- *C 5 5/16"
- *D 13 5/8"
- *E 2 3/8"
- F 4 1/2"
- G 9 1/4"
- **H 11 5/8"
- I 1/4"
- J 1 3/4" Tread width
- K 11 5/8" Flange O.D.
- L 9 3/4" Tread O.D.
- M 2 1/2"
- N 1"
- O 4 1/2"



* To wheel running surface of beam.

** "H" applies to geared units only - For plain units o Dim. is the same for both sides of trolley.

UNIT ADJUSTABLE FROM S12" TO S24"X121# AS SHOWN

CUSTOMER MUST TAKE INTO CONSIDERATION FLANGE WIDTH AND THICKNESS.

MK.	REVISIONS	CK-DATE

12 TON "PT" TROLLEY

CHESTER HOIST

LISBON, OHIO

DR. RLB	TR.	CK.	AP.
SCALE NONE		DATE 6-19-00	
REF. DWG. NO.		12PT	
Dwg. No. CD009			