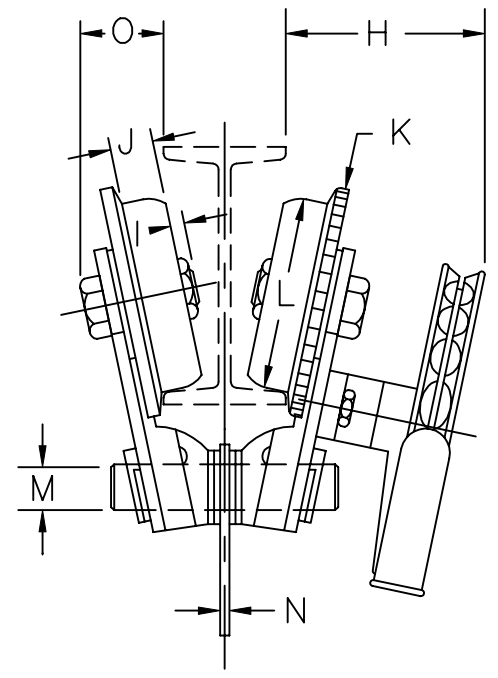
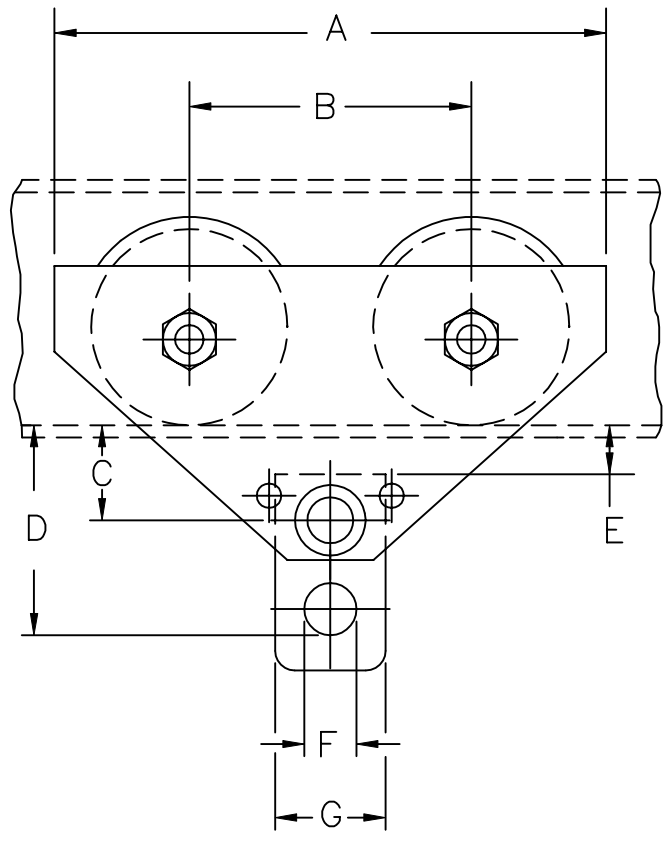


- A 28 1/4"
- B 14"
- *C 5 13/16"
- *D 15 3/16"
- *E 2 7/16"
- F 4"
- G 9"
- **H 14 1/2"
- I 5/16"
- J 2" Tread width
- K 13 1/2" Flange O.D.
- L 11 3/4" Tread O.D.
- M 3 1/4"
- N 1 1/2"
- O 7"



* To wheel running surface of beam.
 ** "H" applies to geared units only - For plain units o Dim. is the same for both sides of trolley.
 UNIT ADJUSTABLE FROM S18" TO S24"X121# BEAM
 CUSTOMER MUST TAKE INTO CONSIDERATION FLANGE WIDTH AND THICKNESS.

MK.	REVISIONS	CK-DATE

16 TON "PT" TROLLEY

CHESTER HOIST

LISBON, OHIO

DR. RLB	TR.	CK.	AP.
SCALE NONE		DATE 6-19-00	
REF. DWG. NO. 16TONPT			
Dwg. No. CD010			