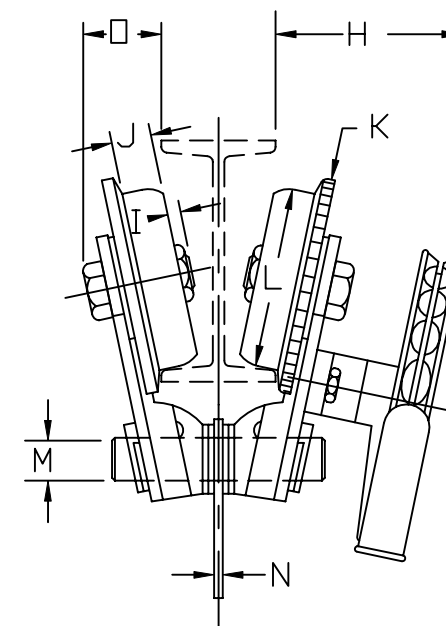
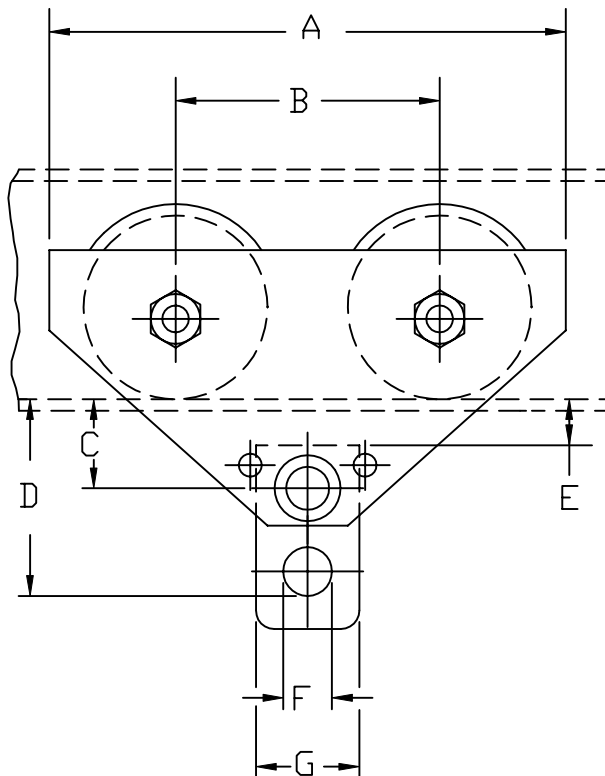


- A 11 1/4"
- B 6 1/8"
- *C 2 5/8"
- *D 5 3/4"
- *E 1 9/16"
- F 1 3/4"
- G 3"
- **H 7 11/16"
- I 0"
- J 1 1/16" Tread width
- K 5" Flange O.D.
- L 3 3/4" Tread O.D.
- M 1"
- N 3/8"
- O 2 1/8"



* To wheel running surface of beam.

** "H" applies to geared units only - For plain units o Dim. is the same for both sides of trolley.

THIS UNIT IS ADJUSTABLE FROM S5" TO S12"X31.8#

CUSTOMER MUST TAKE INTO CONSIDERATION FLANGE WIDTH AND THICKNESS.

		1 TON PT TROLLEY	DR. RLB TR. CK. AP.
			SCALE NONE DATE 6-19-00
			REF. DWG. NO. 1tonpt
		CHESTER HOIST LISBON, OHIO	Dwg. No. CD002
MK.	REVISIONS	CK-DATE	