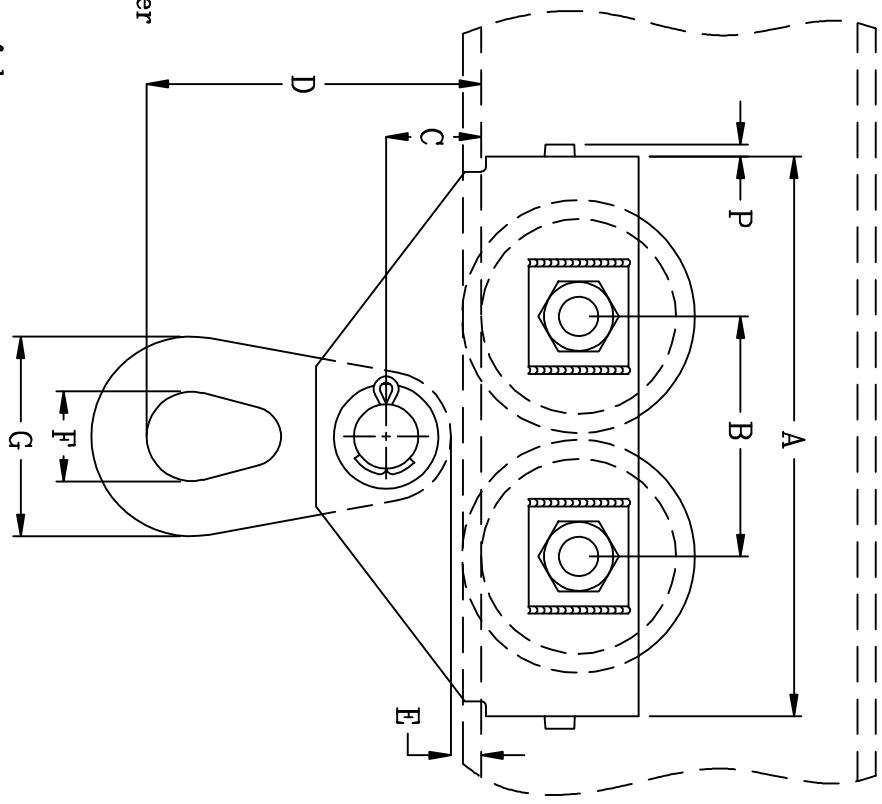


SPARK RESISTANT

- BRONZE WHEELS
- STAINLESS STEEL DROP STOPS
- ALUMINUM HAND CHAIN & HAND CHAIN GUARD

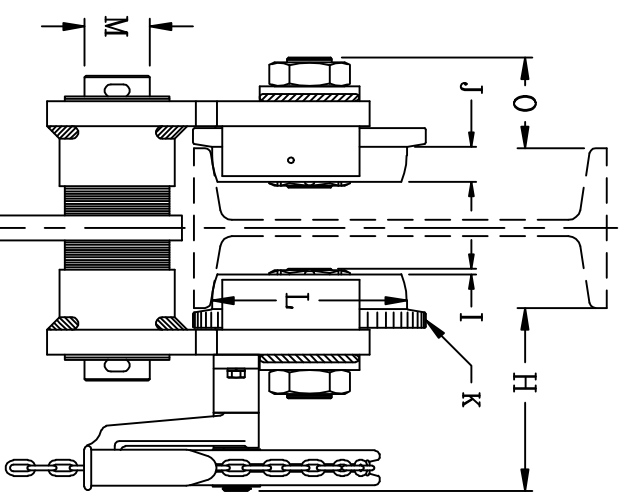
NO. REQ. 1



| | |
|-----|-----------|
| A | 28" |
| B | 12" |
| *C | 4 3/4" |
| *D | 16 3/4" |
| *E | 1 1/2" |
| F | 4 1/2" |
| G | 10" |
| **H | 9 3/16" |
| I | 9/32" |
| J | 1 3/4" |
| K | 11 11/16" |
| L | 9 3/4" |
| M | 3 1/4" |
| N | 1 1/4" |
| O | 4 9/16" |
| ~P | 5/8" |

* To wheel running surface of beam.
 ** "H" applies to geared units only - For plain units "O" dimension is the same for both sides of trolley.
 ~ "P" applies only to units with removable rubber bumpers
 THIS UNIT IS ADJUSTABLE FROM 6"-8", MINIMUM BEAM HEIGHT: 12"
 CUSTOMER MUST TAKE INTO CONSIDERATION FLANGE WIDTH AND THICKNESS.

Tread Width
 Flange O.D.
 Tread O.D.
 Rubber Bumper



| | |
|-----------|---------|
| MK | |
| REVISIONS | CK-DATE |

20 TON 1641/1642 TROLLEY
 CHESTER HOIST
 LISBON, OHIO

| | | |
|-----------------------|-------------|----------|
| DR. MAM | TR. CK. | AP. DATE |
| SCALE NONE | DATE 3/2/09 | |
| REF. DWG. NO. 1600-20 | | |
| Dwg. No. C-50052 | | |