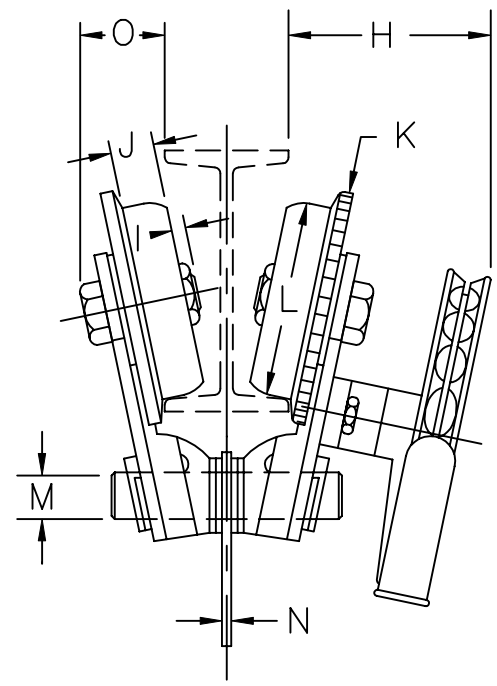
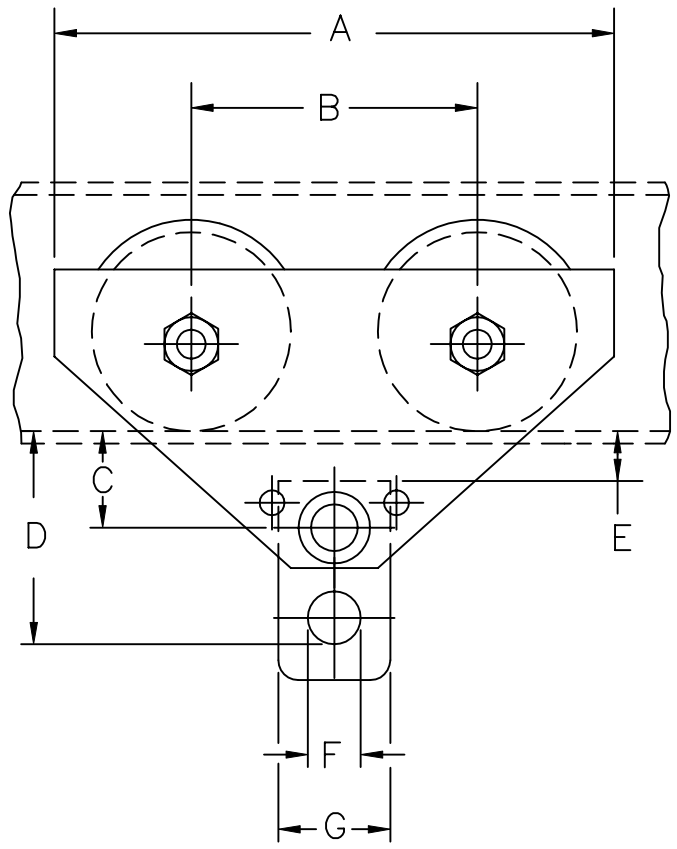


- A 28 1/4"
- B 14"
- \*C 5 13/16"
- \*D 16 9/16"
- \*E 2 7/16"
- F 4"
- G 10"
- \*\*H 14 1/2"
- I 5/16"
- J 2" Tread width
- K 13 1/2" Flange O.D.
- L 11 3/4" Tread O.D.
- M 3 1/4"
- N 1 3/4"
- O 7"



\* To wheel running surface of beam.  
 \*\* "H" applies to geared units only - For plain units o Dim. is the same for both sides of trolley.  
 THIS UNIT IS ADJUSTABLE FROM S18" TO S24"X 121# BEAM.  
 CUSTOMER MUST TAKE INTO CONSIDERATION FLANGE WIDTH AND THICKNESS.

MK.	REVISIONS	CK-DATE

20 TON PT TROLLEY

**CHESTER HOIST**

LISBON, OHIO

DR. RLB	TR.	CK.	AP.
SCALE NONE		DATE 6-19-00	
REF. DWG. NO.		20PT	
Dwg. No. CD011			