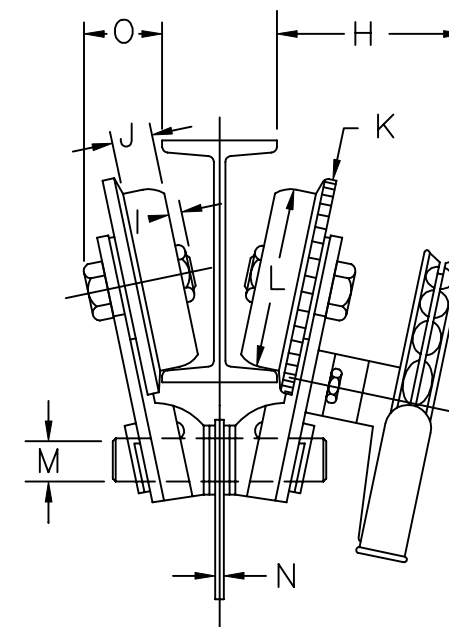
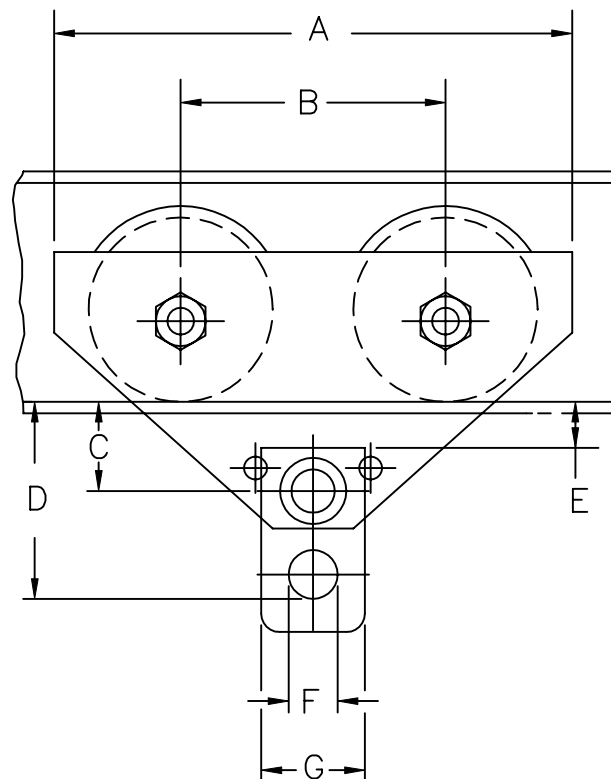


- A 16 3/4"
- B 8 1/2"
- *C 3 3/8"
- *D 8"
- *E 1 7/8"
- F 2 1/2"
- G 4"
- **H 9"
- I 3/16"
- J 1 11/32" Tread width
- K 8" Flange O.D.
- L 6 3/8" Tread O.D.
- M 1 3/4"
- N 3/4"
- O 3 1/8"



* To wheel running surface of beam.

** "H" applies to geared units only - For plain units o Dim. is the same for both sides of trolley.

THIS UNIT IS ADJUSTABLE FROM S8" TO S18" x 70# BEAM

CUSTOMER MUST TAKE INTO CONSIDERATION FLANGE WIDTH AND THICKNESS.

MK.	REVISIONS	CK-DATE

3 & 4 TON PT TROLLEY

CHESTER HOIST
LISBON, OHIO

DR. RLB	TR.	CK.	AP.
SCALE NONE		DATE 6-19-00	
REF. DWG. NO.		3TONPT	

Dwg. No. CD004