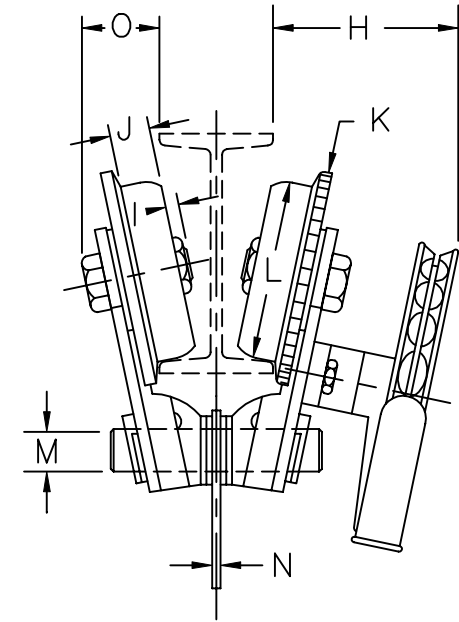
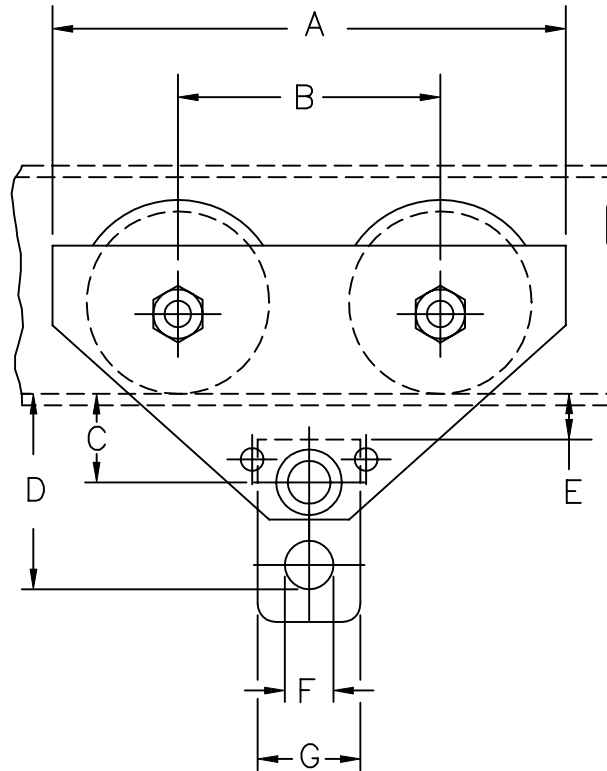


- A 19 1/2"
- B 10"
- \*C 4 1/8"
- \*D 9 7/16"
- \*E 1 13/16"
- F 3"
- G 6"
- \*\*H 9 5/8"
- I 0"
- J 1 13/32" Tread width
- K 9" Flange O.D.
- L 7 3/16" Tread O.D.
- M 2"
- N 3/4"
- O 3 7/16"



\* To wheel running surface of beam.

\*\* "H" applies to geared units only – For plain units o Dim. is the same for both sides of trolley.

CUSTOMER MUST TAKE INTO CONSIDERATION FLANGE WIDTH AND THICKNESS.

UNIT ADJUSTABLE FROM S10" TO S24"X80# BEAM

MK.	REVISIONS	CK-DATE

5 & 6 TON "PT" TROLLEY

**CHESTER HOIST**

LISBON, OHIO

DR. RLB	TR.	CK.	AP.
SCALE NONE		DATE 6-19-00	
REF. DWG. NO.		56PT	
Dwg. No. CD006			