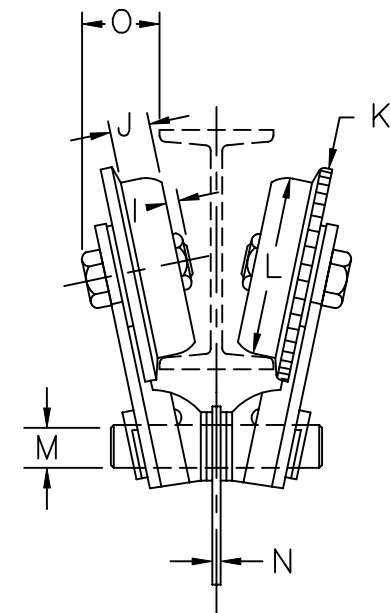
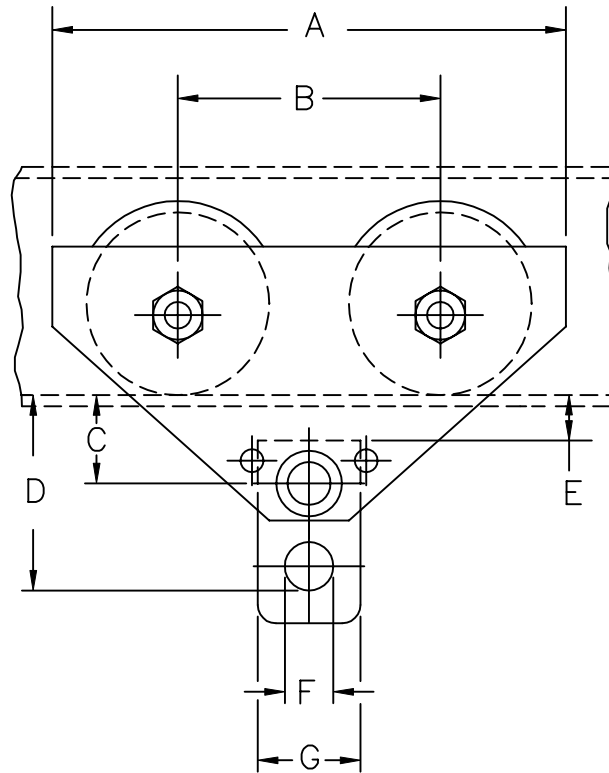


A	9"	
B	5"	
*C	2"	
*D	5 3/16"	
*E	15/16"	
F	1 3/4"	
G	3"	
I	0"	
J	7/8"	Tread width
K	3 5/8"	Flange O.D.
L	2 7/8"	Tread O.D.
M	1"	
N	3/8"	
O	2"	



* To wheel running surface of beam.
 ** "H" applies to geared units only - For plain units o Dim. is the same for both sides of trolley.
 THIS UNIT IS ADJUSTABLE FROM S4" THRU S12"X31.8# "S" BEAMS ONLY!!
 CUSTOMER MUST TAKE INTO CONSIDERATION FLANGE WIDTH AND THICKNESS.

MK.	REVISIONS	CK-DATE

1/4 & 1/2 TON "PT" TROLLEY

CHESTER HOIST
 LISBON, OHIO

DR. RLB	TR.	CK.	AP.
SCALE NONE		DATE 6-19-00	
REF. DWG. NO.		HALFPT	
Dwg. No. CD001			