

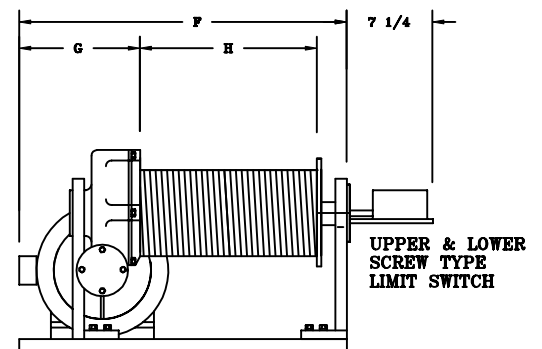
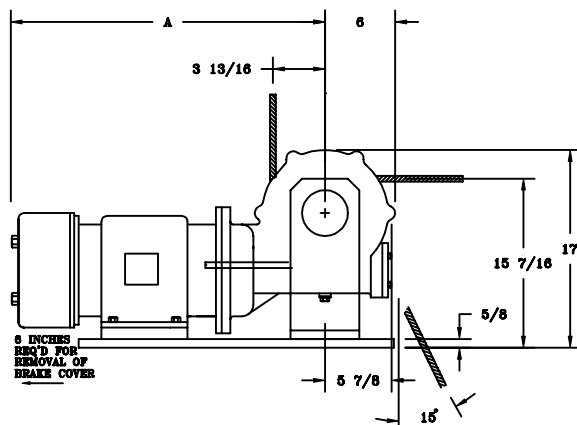
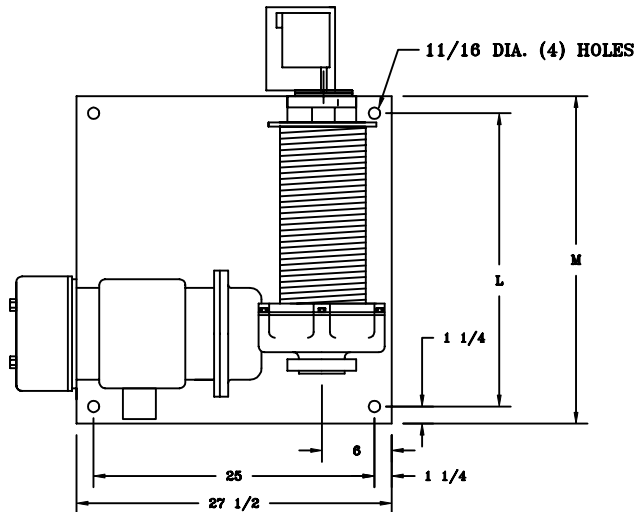
# CHESTER HOIST

WORM DRIVE HOIST  
DATA SHEET E-51AS

## CAPACITY 1/2-3/4 TON

SINGLE LINE - R

FLOOR MOUNTED  
1-PART SINGLE



ALL DIMENSIONS IN INCHES

MODEL NUMBER	CAPACITY (lbs.)	SPEED (fpm)	LIFT (ft.)	REEVING	MOTOR (hp)	A	F	G	H	L	M	APPROX. WT. (lbs.)
WD-907S	1000	40	48	1PS-1/4	2 @ 1200	28 1/4	21	10 1/4	8 1/2	19 5/8	22 1/8	400
WD-908S	1000	40	90	1PS-1/4	2 @ 1200	28 1/4	27 1/2	10 1/4	15	26 1/8	28 5/8	450
WD-909S	1000	40	132	1PS-1/4	2 @ 1200	28 1/4	34	10 1/4	21 1/2	32 5/8	35 1/8	500
WD-910S	1000	60	48	1PS-1/4	3 @ 1800	28 1/4	21	10 1/4	8 1/2	19 5/8	22 1/8	400
WD-911S	1000	60	90	1PS-1/4	3 @ 1800	28 1/4	27 1/2	10 1/4	15	26 1/8	28 5/8	450
WD-912S	1000	60	132	1PS-1/4	3 @ 1800	28 1/4	34	10 1/4	21 1/2	32 5/8	35 1/8	500
WD-913S	1000	80	48	1PS-1/4	4 @ 1800	28 1/4	21	10 1/4	8 1/2	19 5/8	22 1/8	400
WD-914S	1000	80	90	1PS-1/4	4 @ 1800	28 1/4	27 1/2	10 1/4	15	26 1/8	28 5/8	450
WD-915S	1000	80	132	1PS-1/4	4 @ 1800	28 1/4	34	10 1/4	21 1/2	32 5/8	35 1/8	500
WD-916S	1500	40	36	1PS-5/16	3 @ 1200	28 1/4	21	10 1/4	8 1/2	19 5/8	22 1/8	400
WD-917S	1500	40	70	1PS-5/16	3 @ 1200	28 1/4	27 1/2	10 1/4	15	26 1/8	28 5/8	450
WD-918S	1500	40	104	1PS-5/16	3 @ 1200	28 1/4	34	10 1/4	21 1/2	32 5/8	35 1/8	500
WD-919S	1500	60	36	1PS-5/16	5 @ 1800	28 1/4	21	10 1/4	8 1/2	19 5/8	22 1/8	400
WD-920S	1500	60	70	1PS-5/16	5 @ 1800	28 1/4	27 1/2	10 1/4	15	26 1/8	28 5/8	450
WD-921S	1500	60	104	1PS-5/16	5 @ 1800	28 1/4	34	10 1/4	21 1/2	32 5/8	35 1/8	500
WD-922S	1500	80	36	1PS-5/16	6 @ 1800	31 1/4	22 3/4	12	8 1/2	19 5/8	22 1/8	425
WD-923S	1500	80	70	1PS-5/16	6 @ 1800	31 1/4	29 1/4	12	15	26 1/8	28 5/8	475
WD-924S	1500	80	104	1PS-5/16	6 @ 1800	31 1/4	35 3/4	12	21 1/2	32 5/8	35 1/8	525