

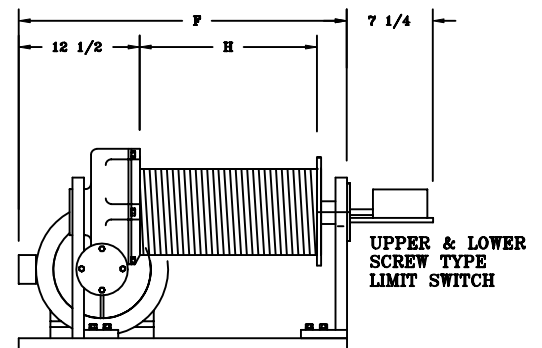
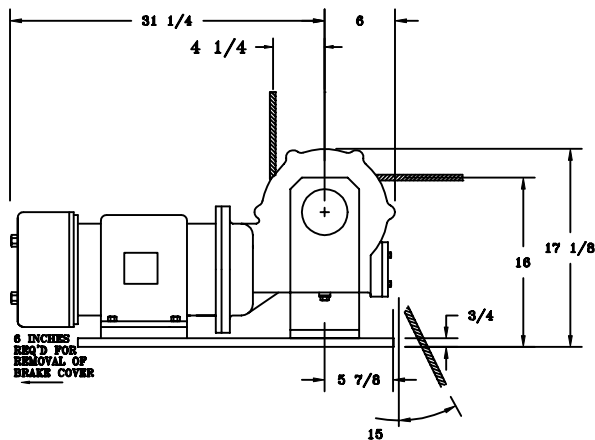
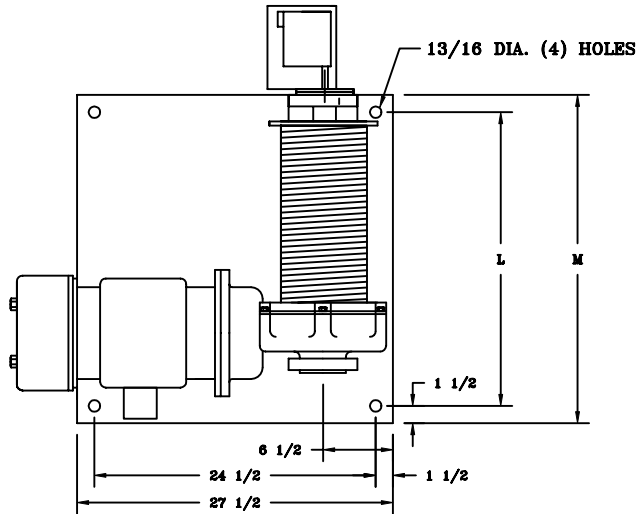
CHESTER HOIST

WORM DRIVE HOIST
DATA SHEET E-30AS

CAPACITY 1-1 1/2 TON

SINGLE LINE - S

FLOOR MOUNTED
1-PART SINGLE



ALL DIMENSIONS IN INCHES

MODEL NUMBER	CAPACITY (lbs.)	SPEED (fpm)	LIFT (ft.)	REEVING	MOTOR (hp)	F	H	L	M	APPROX. WT. (lbs.)
WD-928S	2000	40	40	1PS-3/8	4 @ 1200	26 1/2	11 3/8	23	26	500
WD-929S	2000	40	80	1PS-3/8	4 @ 1200	35 1/2	20 1/8	31 3/4	34 3/4	550
WD-943S	2000	40	120	1PS-3/8	4 @ 1200	44 1/4	28 7/8	40 1/2	43 1/2	600
WD-925S	2000	60	40	1PS-3/8	6 @ 1800	26 1/2	11 3/8	23	26	500
WD-926S	2000	60	80	1PS-3/8	6 @ 1800	35 1/2	20 1/8	31 3/4	34 3/4	550
WD-927S	2000	60	120	1PS-3/8	6 @ 1800	44 1/4	28 7/8	40 1/2	43 1/2	600
WD-930S	3000	40	40	1PS-7/16	6 @ 1200	26 1/2	11 3/8	23	26	500
WD-931S	3000	40	80	1PS-7/16	6 @ 1200	35 1/2	20 1/8	31 3/4	34 3/4	550
WD-932S	3000	40	120	1PS-7/16	6 @ 1200	44 1/4	28 7/8	40 1/2	43 1/2	600