

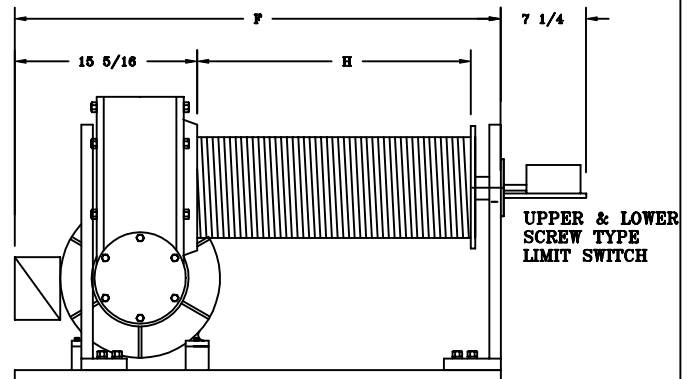
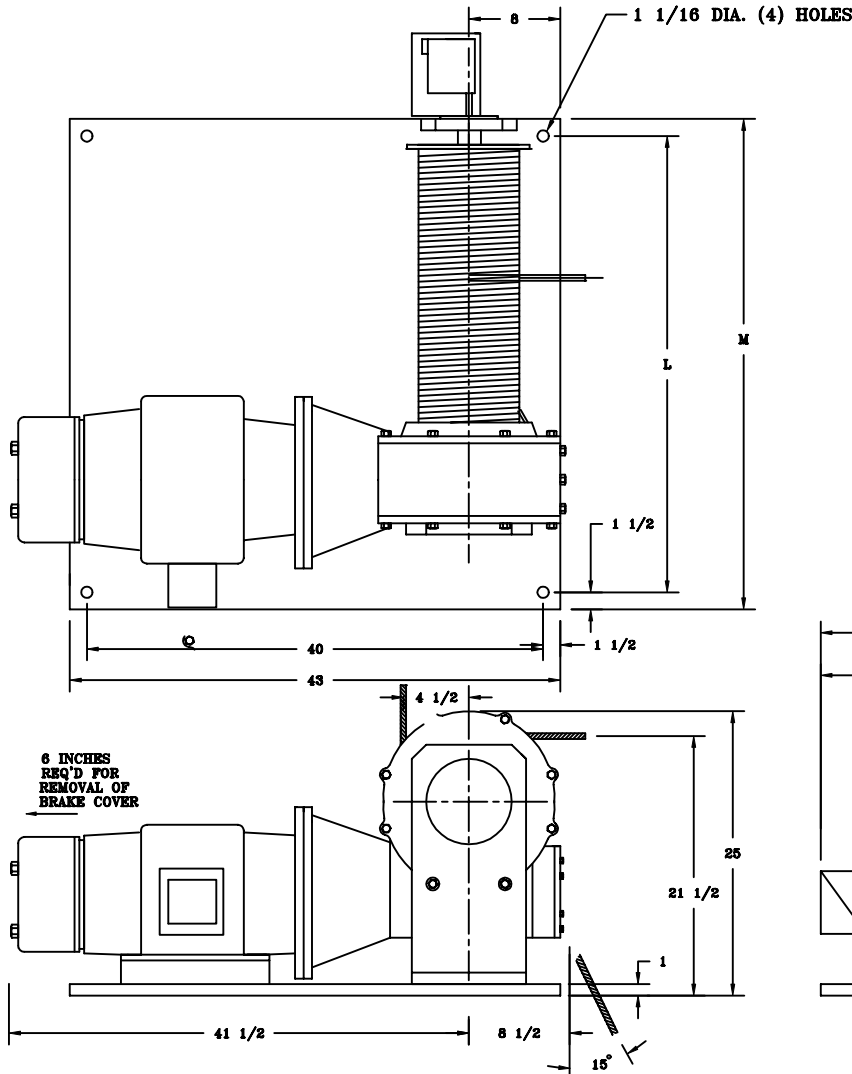
CHESTER HOIST

WORM DRIVE HOIST
DATA SHEET E-52AS

CAPACITY 2 1/2 TON

SINGLE LINE - T

FLOOR MOUNTED
1-PART SINGLE



ALL DIMENSIONS IN INCHES

MODEL NUMBER	CAPACITY (lbs.)	SPEED (fpm)	LIFT (ft.)	REEVING	MOTOR (hp)	F	H	L	M	APPROX. WT. (lbs.)
WD-933S	5000	40	40	1PS-1/2E	10 @ 1200	31	13	29 1/8	32 1/8	1200
WD-934S	5000	40	80	1PS-1/2E	10 @ 1200	42	24	40 1/8	43 1/8	1300
WD-935S	5000	40	120	1PS-1/2E	10 @ 1200	52	34	50 1/8	53 1/8	1400
WD-936S	5000	60	40	1PS-1/2E	15 @ 1800	31	13	29 1/8	32 1/8	1200
WD-937S	5000	60	80	1PS-1/2E	15 @ 1800	42	24	40 1/8	43 1/8	1300
WD-938S	5000	60	120	1PS-1/2E	15 @ 1800	52	34	50 1/8	53 1/8	1400