

A  $9 \frac{15}{16}$ "

B  $2 \frac{13}{16}$ "

C  $10 \frac{1}{8}$ "

D  $10 \frac{1}{8}$ "

E  $7 \frac{3}{16}$ " WH'L. TREAD O.D.

F  $9$ " WH'L. FLG. O.D.

G  $\frac{7}{8}$ " PLAIN OR GEARED

H  $1 \frac{11}{16}$ "

\* I  $8 \frac{1}{2}$ "

\* J  $6 \frac{15}{16}$ "

K  $11 \frac{9}{16}$ "

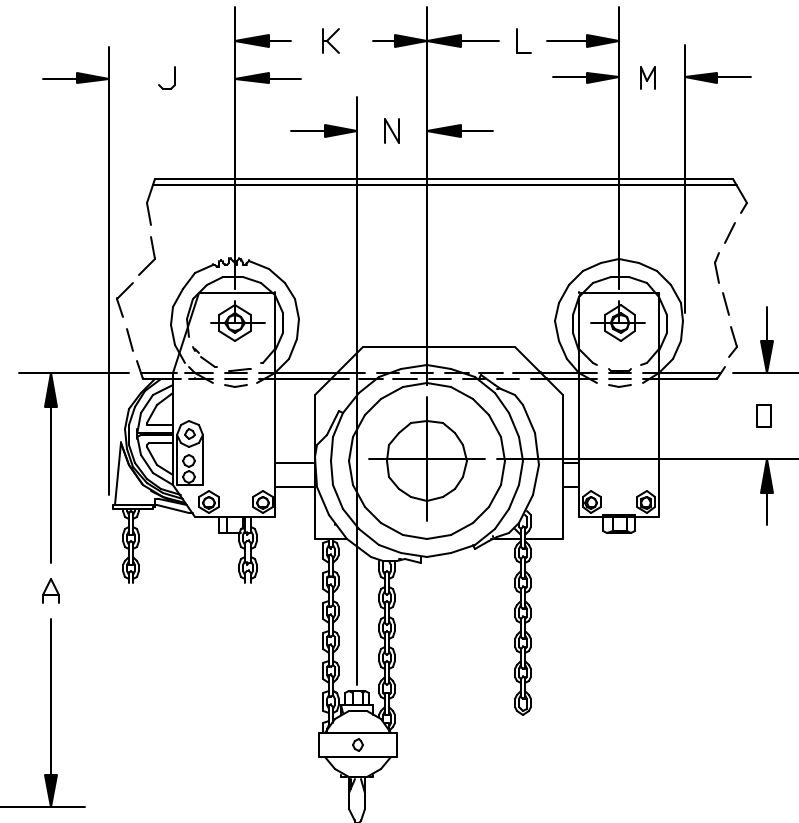
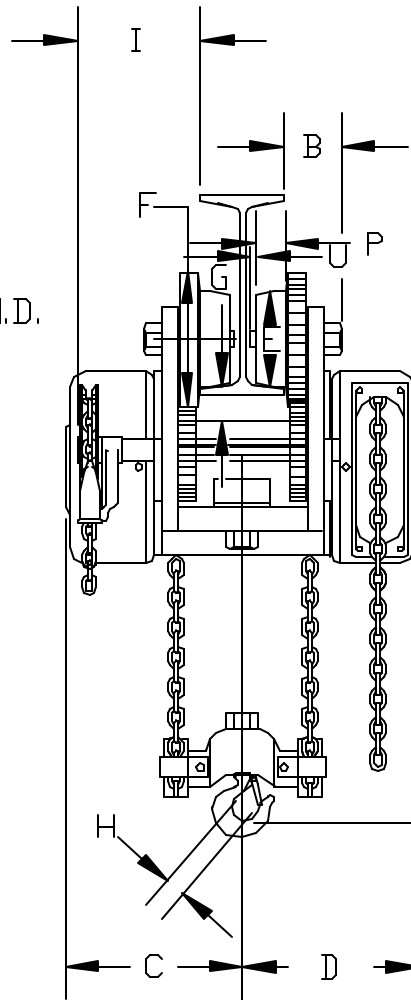
L  $8 \frac{13}{16}$ "

M  $4 \frac{1}{2}$ "

N  $3$ " U  $\frac{3}{16}$ "

□  $3 \frac{7}{8}$ " P1  $13 \frac{32}{32}$ "

\* GEARED UNITS ONLY  
UNIT NOT ADJUSTABLE



CUSTOMER MUST TAKE INTO CONSIDERATION  
FLANGE WIDTH AND THICKNESS.  
DIMENSIONS SHOWN ARE ACCURATE FOR ANY  
"S" OR "WF" BEAM

FLAT TREAD WHEELS (NOT SHOWN) SUPPLIED FOR "WF" BEAM APPLICATIONS

R1	CAP CHG AXLE DIM ADDED	
	RLB 11/18/02	
MK.	REVISIONS	CK-DATE

5 & 6 TON SWIVEL TRUCK  
LOW HEADROOM

CHESTER HOIST  
LISBON, OHIO

DR. RLB	TR.	CK.	AP.
SCALE NONE		DATE 6-19-00	
REF. DWG. NO.		CL5ST	

Dwg. No. CD052