

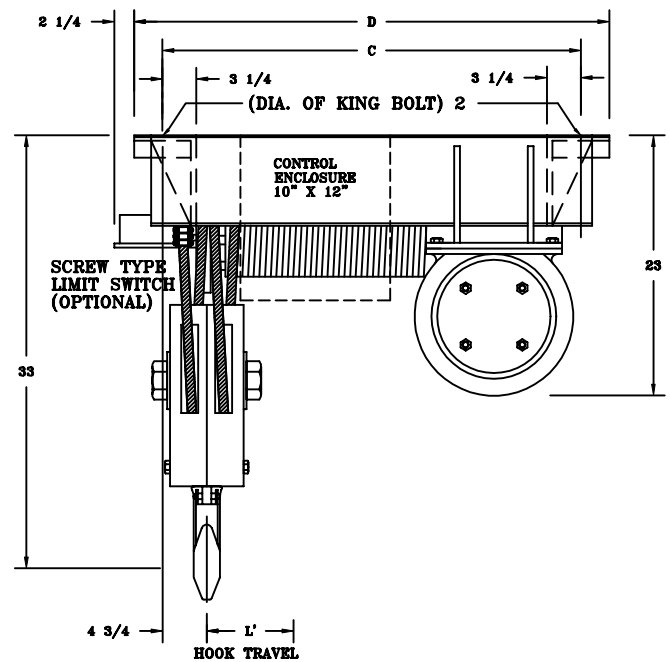
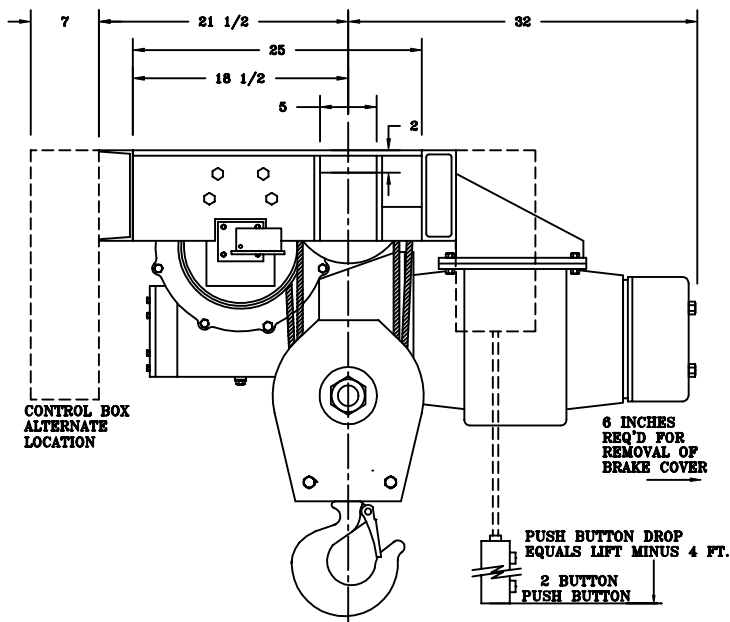
# CHESTER HOIST

WORM DRIVE HOIST  
DATA SHEET E-68AS

## CAPACITY 10 TON

STANDARD HEADROOM  
LUG TYPE - T

SINGLE HOOK MONORAIL  
4-PART SINGLE



ALL DIMENSIONS IN INCHES

MODEL NUMBER	CAPACITY (lbs.)	SPEED (fpm)	LIFT (ft.)	REEVING	MOTOR (hp)	C	D	L'	APPROX. WT. (lbs.)
WD-1206S	20000	16	25	4PS-1/2E	15 @ 1800	46	50 1/2	6 3/4	2050
WD-1207S	20000	16	37	4PS-1/2E	15 @ 1800	59	63 1/2	10	2160
WD-1208S	20000	16	50	4PS-1/2E	15 @ 1800	71	75 1/2	13	2300
WD-1209S	20000	16	62	4PS-1/2E	15 @ 1800	83	87 1/2	16	2450
WD-1210S	20000	16	75	4PS-1/2E	15 @ 1800	95	99 1/2	19	2600

NOTE: WHEN USING SCREW TYPE LIMIT SWITCH ADD 1 INCH TO HEADROOM.