

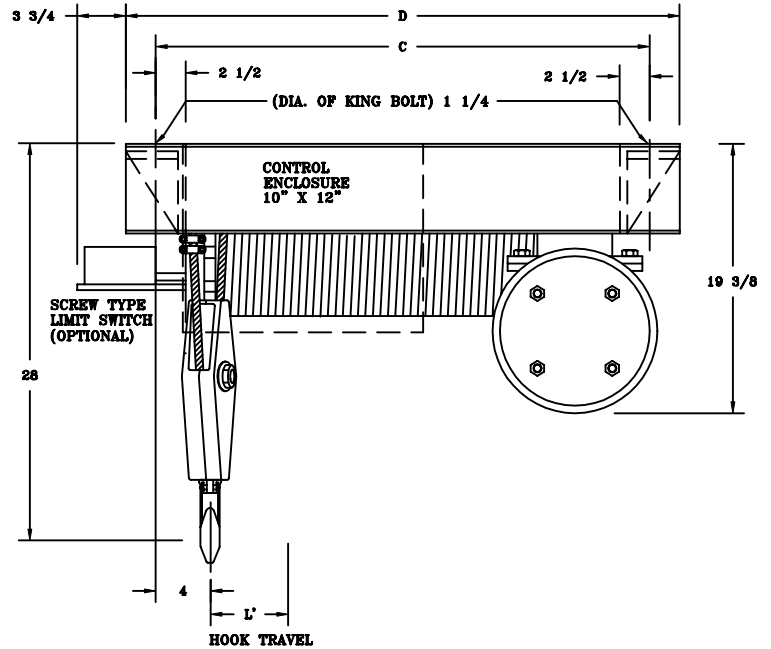
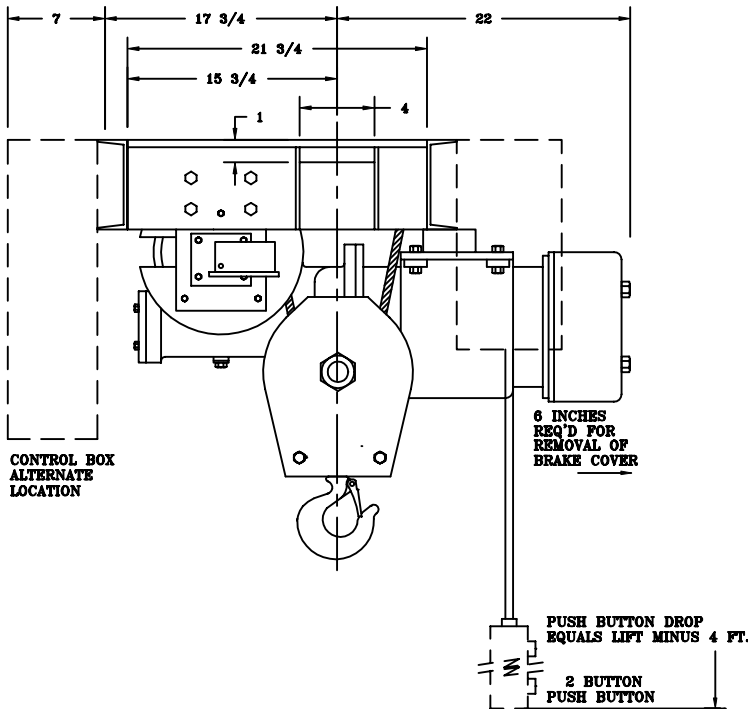
CHESTER HOIST

WORM DRIVE HOIST
DATA SHEET E-89AS

CAPACITY 2-3 TON

STANDARD HEADROOM
LUG TYPE - S

SINGLE HOOK MONORAIL
2-PART SINGLE



ALL DIMENSIONS IN INCHES

MODEL NUMBER	CAPACITY (lbs.)	SPEED (fpm)	LIFT (ft.)	REEVING	MOTOR (hp)	C	D	L'	APPROX. WT. (lbs.)
WD-143S	4000	30	20	2PS-3/8	6 @ 1800	26 1/8	29 1/8	5 3/4	700
WD-144S	4000	30	40	2PS-3/8	6 @ 1800	34 7/8	37 7/8	10 1/8	750
WD-145S	4000	30	60	2PS-3/8	6 @ 1800	43 5/8	46 5/8	14 1/2	800
WD-145AS	4000	30	75	2PS-3/8	6 @ 1800	43 5/8	46 5/8	14 1/2	820
WD-145BS	4000	30	90	2PS-5/16E	6 @ 1800	43 5/8	46 5/8	14 1/2	825
WD-145CS	4000	30	120	2PS-5/16E	6 @ 1800	53 5/8	56 5/8	19 1/2	860
WD-166S	6000	20	20	2PS-7/16	6 @ 1200	26 1/8	29 1/8	5 3/4	700
WD-167S	6000	20	40	2PS-7/16	6 @ 1200	34 7/8	37 7/8	10 1/8	750
WD-168S	6000	20	60	2PS-7/16	6 @ 1200	43 5/8	46 5/8	14 1/2	800
WD-168AS	6000	20	80	2PS-7/16	6 @ 1200	53 5/8	56 5/8	19 1/2	860

NOTE: WHEN USING SCREW TYPE LIMIT SWITCH ADD 1 INCH TO HEADROOM.